

[54] PLANTER

[76] Inventor: **Raymond Thomas Cicci**, 22740  
Leonora Drive, Woodland Hills,  
Calif. 91364

[\*\*] Term: **14 Years**

[21] Appl. No.: **622,033**

[22] Filed: **Oct. 14, 1975**

[51] Int. Cl. .... **D11-02; D6-04**

[52] U.S. Cl. .... **D11/143**

[58] Field of Search ..... **D35/3 R, 3 A, 3 B;**  
**D29/28 R; D6/113, 137, 182, 183, 188;**  
**206/423; 47/34, 35, 34.12, 34.13, 38, 34 T;**  
**D11/143**

[56] **References Cited**

**U.S. PATENT DOCUMENTS**

875,235	12/1907	Bastel .....	47/34.12
2,720,056	10/1955	Levy .....	47/34.12
3,841,023	10/1974	Carlyon, Jr. ....	47/34.12

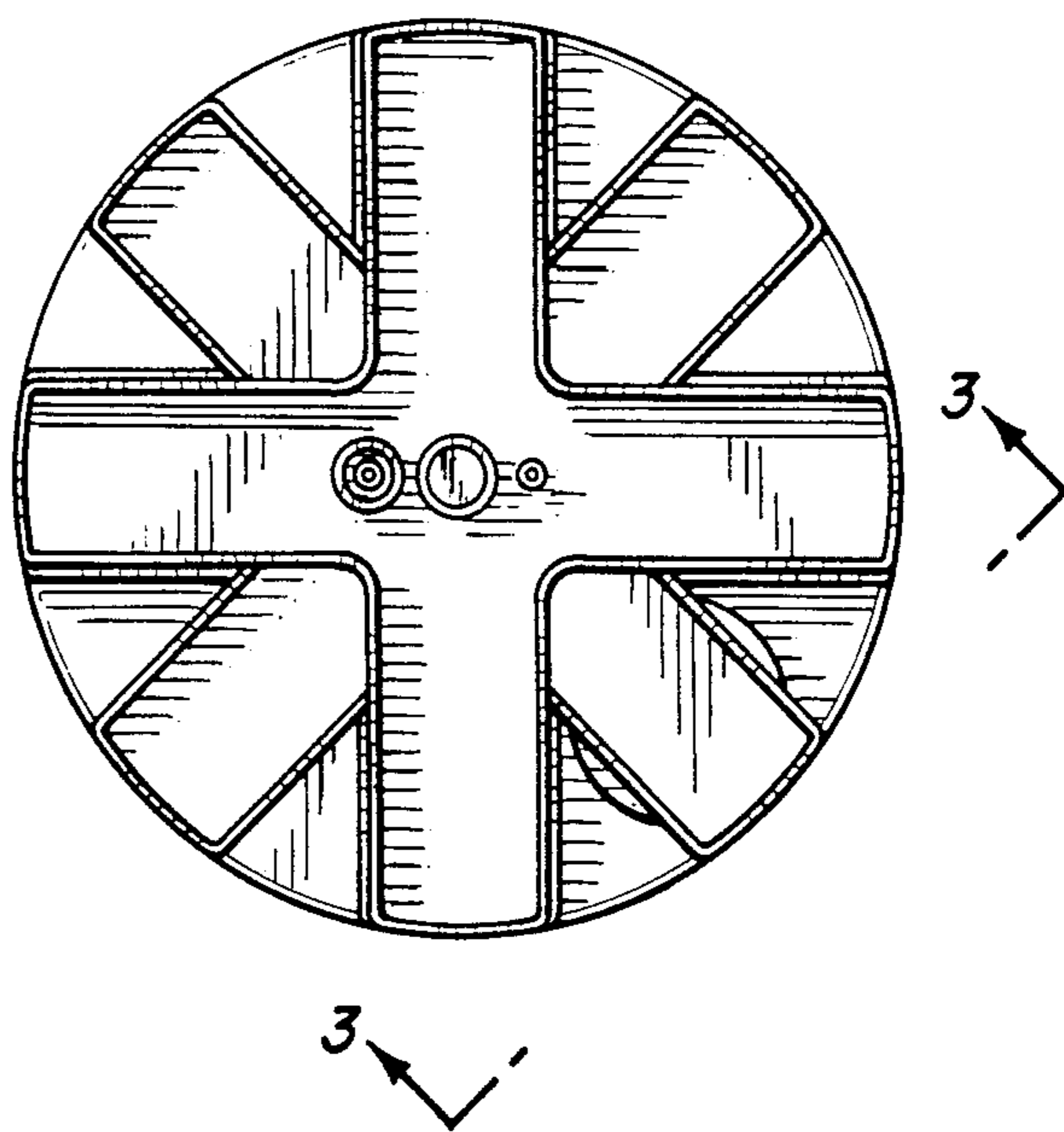
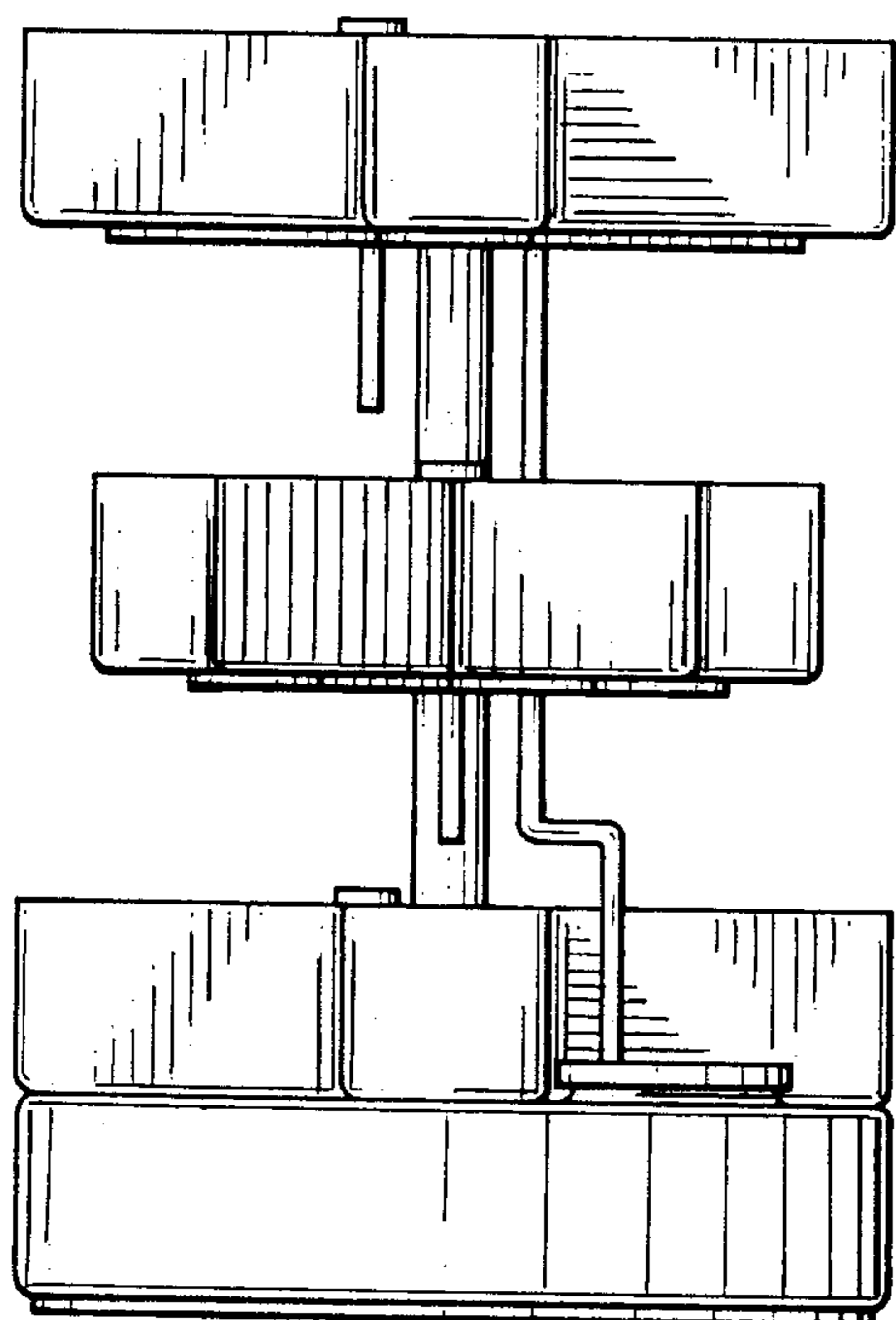
*Primary Examiner*—Wallace R. Burke  
*Assistant Examiner*—B. J. Bullock  
*Attorney, Agent, or Firm*—Robert E. Geauque

[57] **CLAIM**

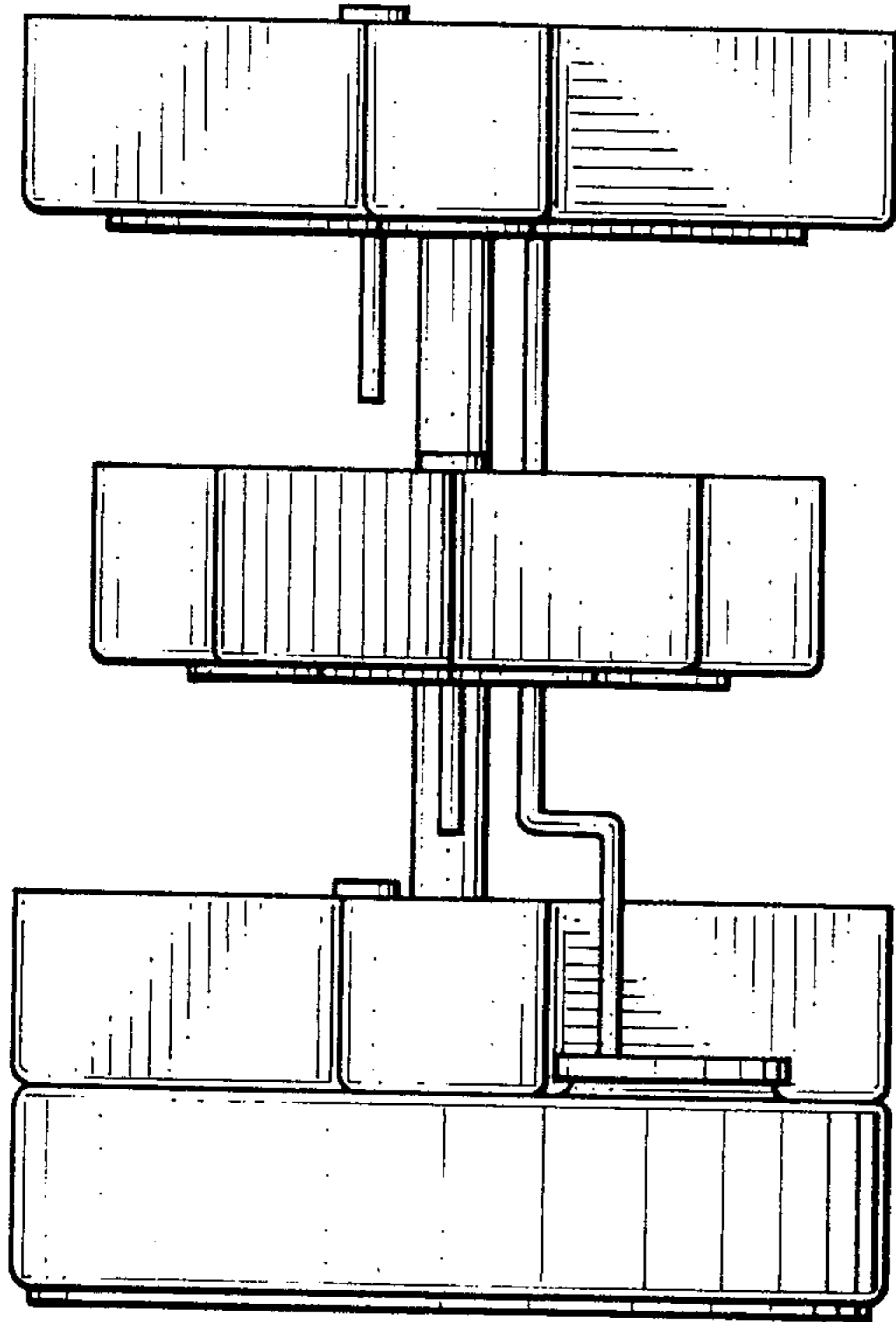
The ornamental design for a planter, substantially as shown and described.

**DESCRIPTION**

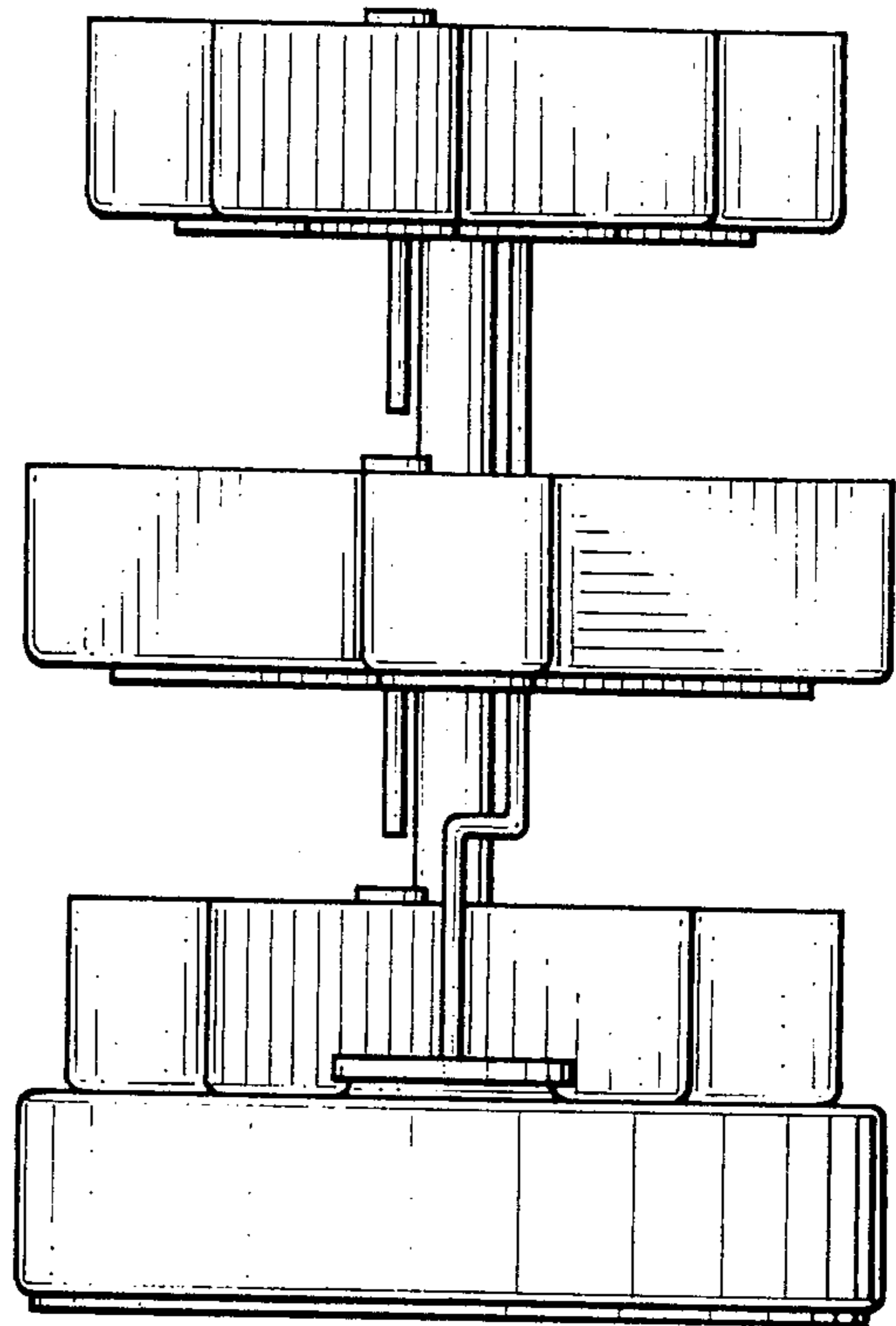
FIG. 1 is a front elevational view of the planter showing my new design;  
FIG. 2 is a top plan view thereof;  
FIG. 3 is a side elevational view taken in the direction of line 3-3 of FIG. 2; and  
FIG. 4 is a bottom plan view thereof.



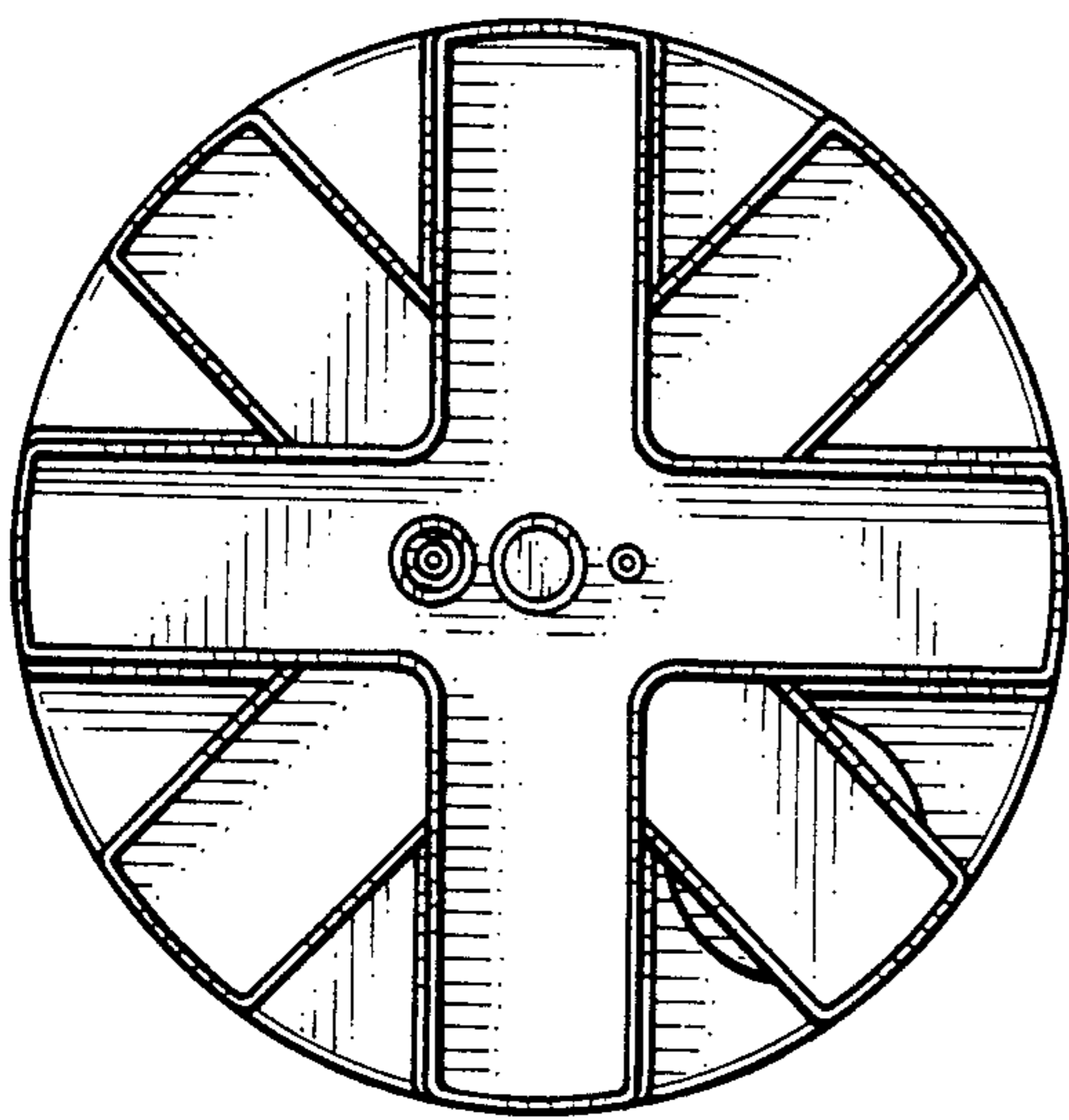
*Fig. 1.*



*Fig. 3.*



*Fig. 2.*



*Fig. 4.*

