

[54] WHIRLPOOL JET NOZZLE FOR BATHTUBS AND THE LIKE

[76] Inventor: Cleo D. Mathis, 1808 Potrero Ave., South El Monte, Calif. 91733

[**] Term: 14 Years

[21] Appl. No.: 634,496

[22] Filed: Nov. 24, 1975

[51] Int. Cl. D23-01

[52] U.S. Cl. D23/34

[58] Field of Search D23/34-40; 4/178, 180; D83/1 C; 128/66

[56] **References Cited**

U.S. PATENT DOCUMENTS

3,391,870	7/1968	Nash	4/180 X
3,571,820	3/1971	Jacuzzi	4/180
3,628,529	12/1971	Steimle	4/180 X

3,890,655	6/1975	Mathis	4/178
3,890,656	6/1975	Mathis	4/178
3,946,449	3/1976	Mathis	4/178
D. 218,239	8/1970	Stairs	D23/34
D. 224,945	10/1972	Doman	D83/1 C

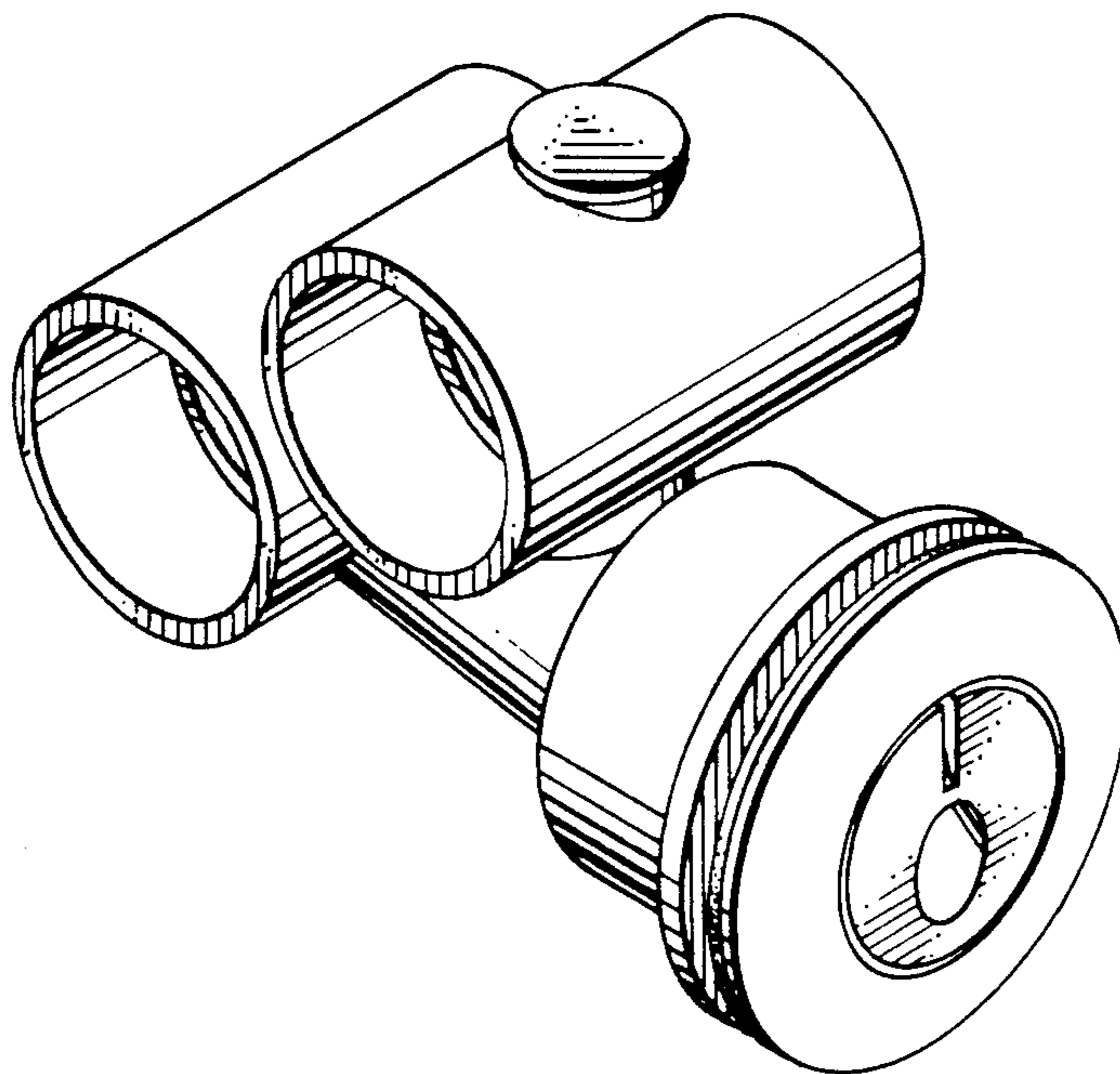
Primary Examiner—James R. Largen
Attorney, Agent, or Firm—Robert C. Comstock

[57] **CLAIM**

The ornamental design for a whirlpool jet nozzle for bathtubs and the like, as shown and described.

DESCRIPTION

FIG. 1 is an isometric view of a whirlpool jet nozzle for bathtubs and the like embodying my new design; FIG. 2 is a side elevational view thereof, the opposite side being a mirror image of the side shown; FIG. 3 is a top plan view thereof; FIG. 4 is a bottom plan view thereof; FIG. 5 is a front elevational view thereof; FIG. 6 is a rear elevational view thereof.



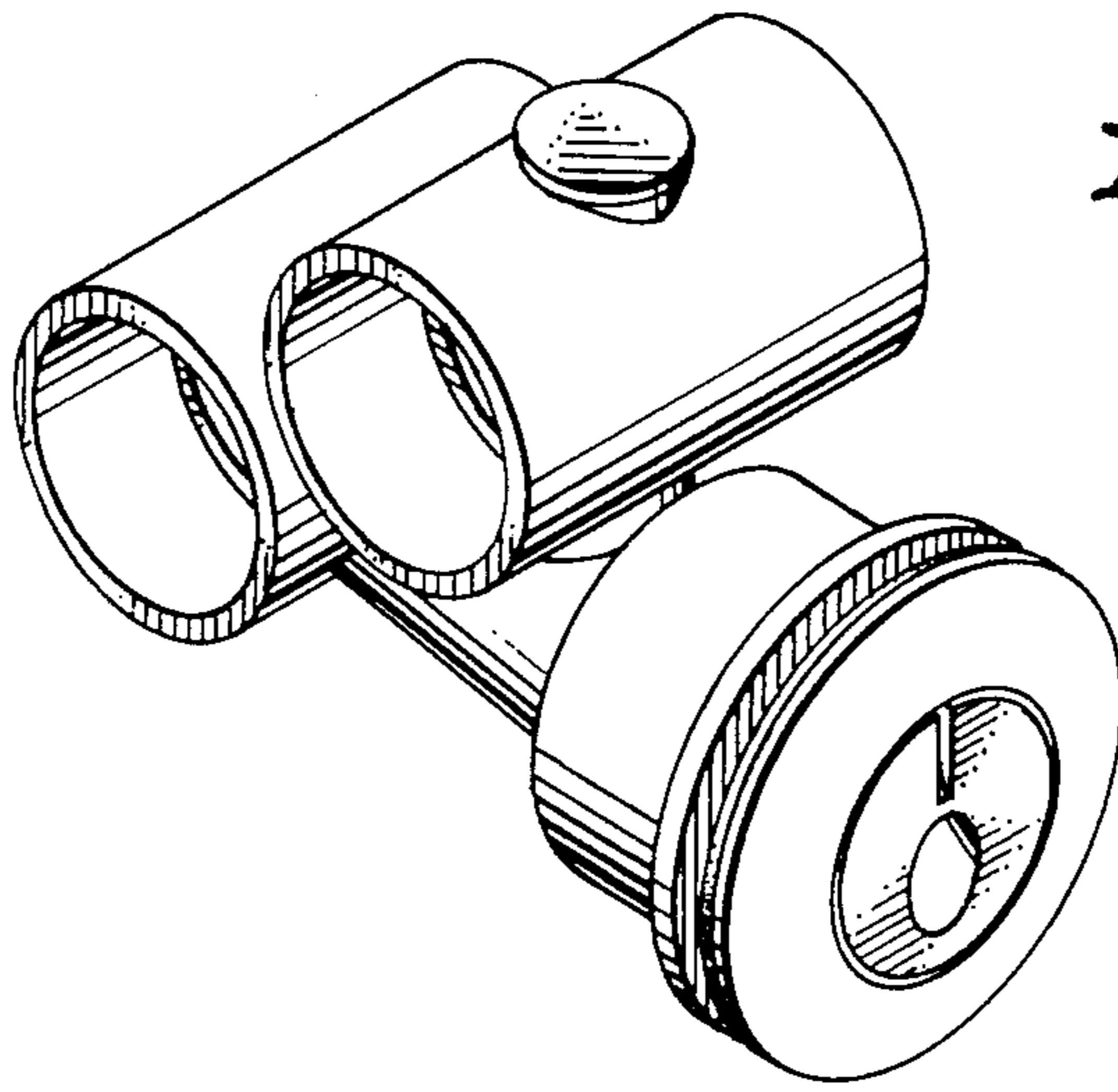


FIG. 1.

FIG. 2.

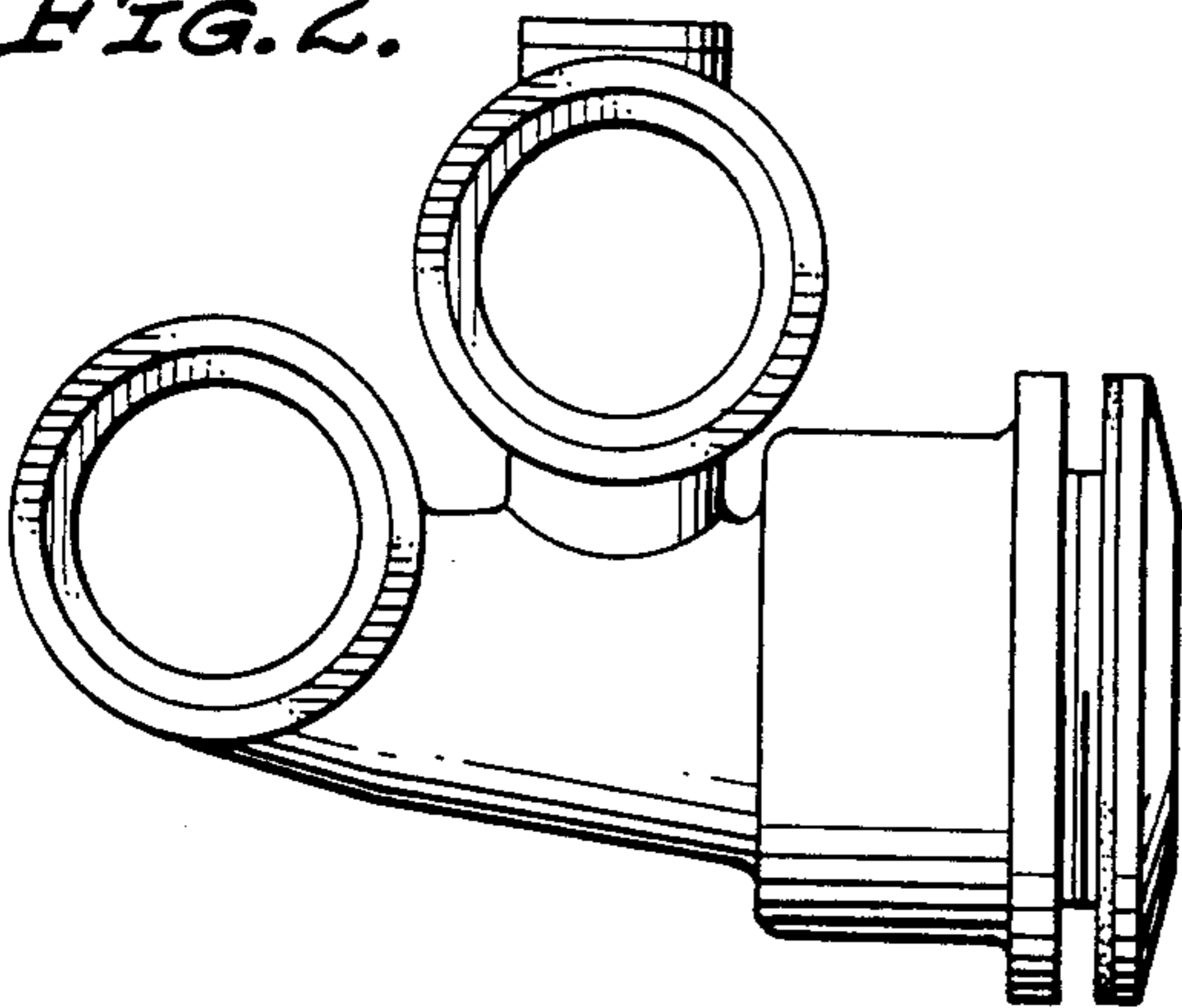


FIG. 3.

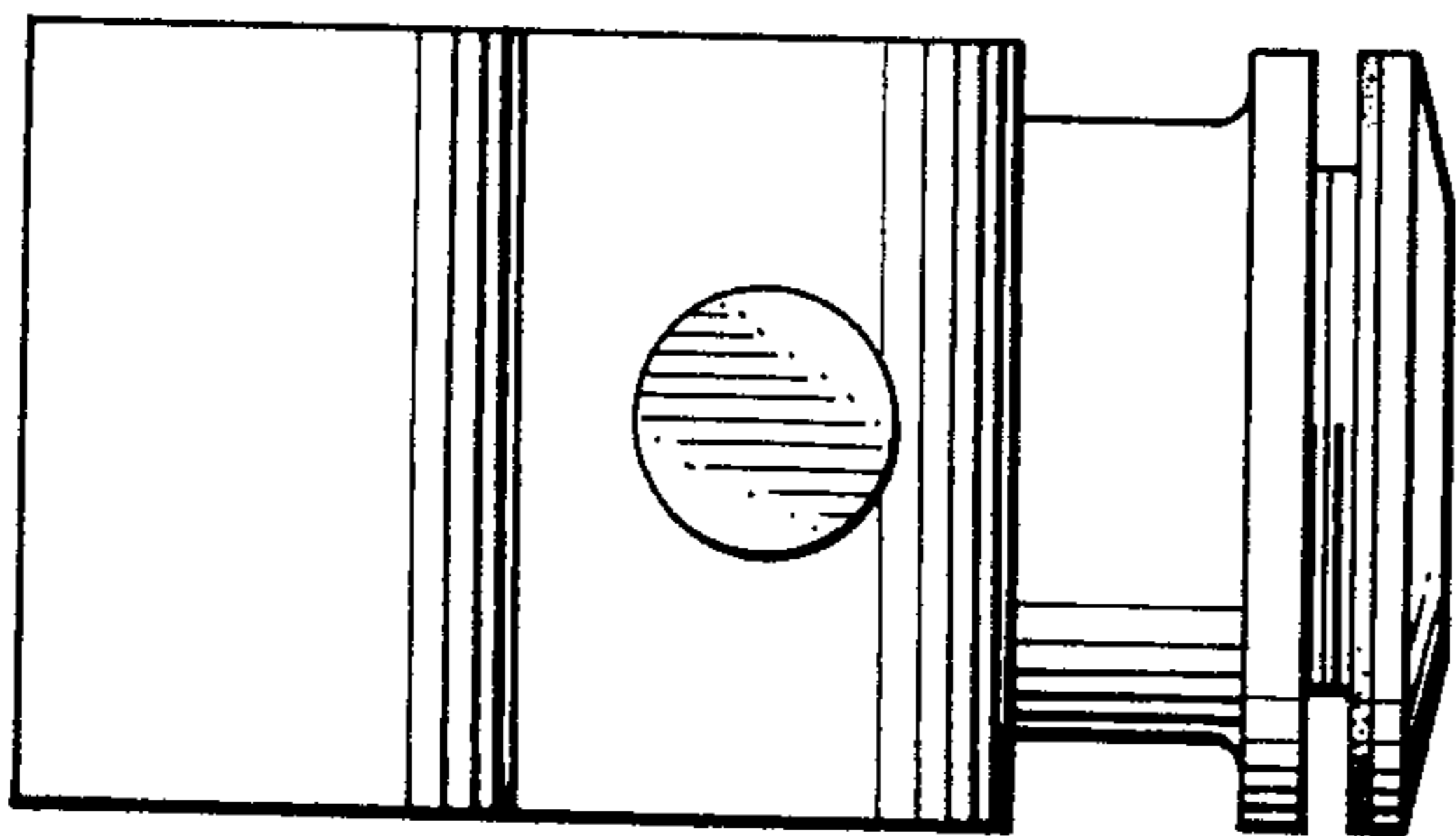


FIG. 4.

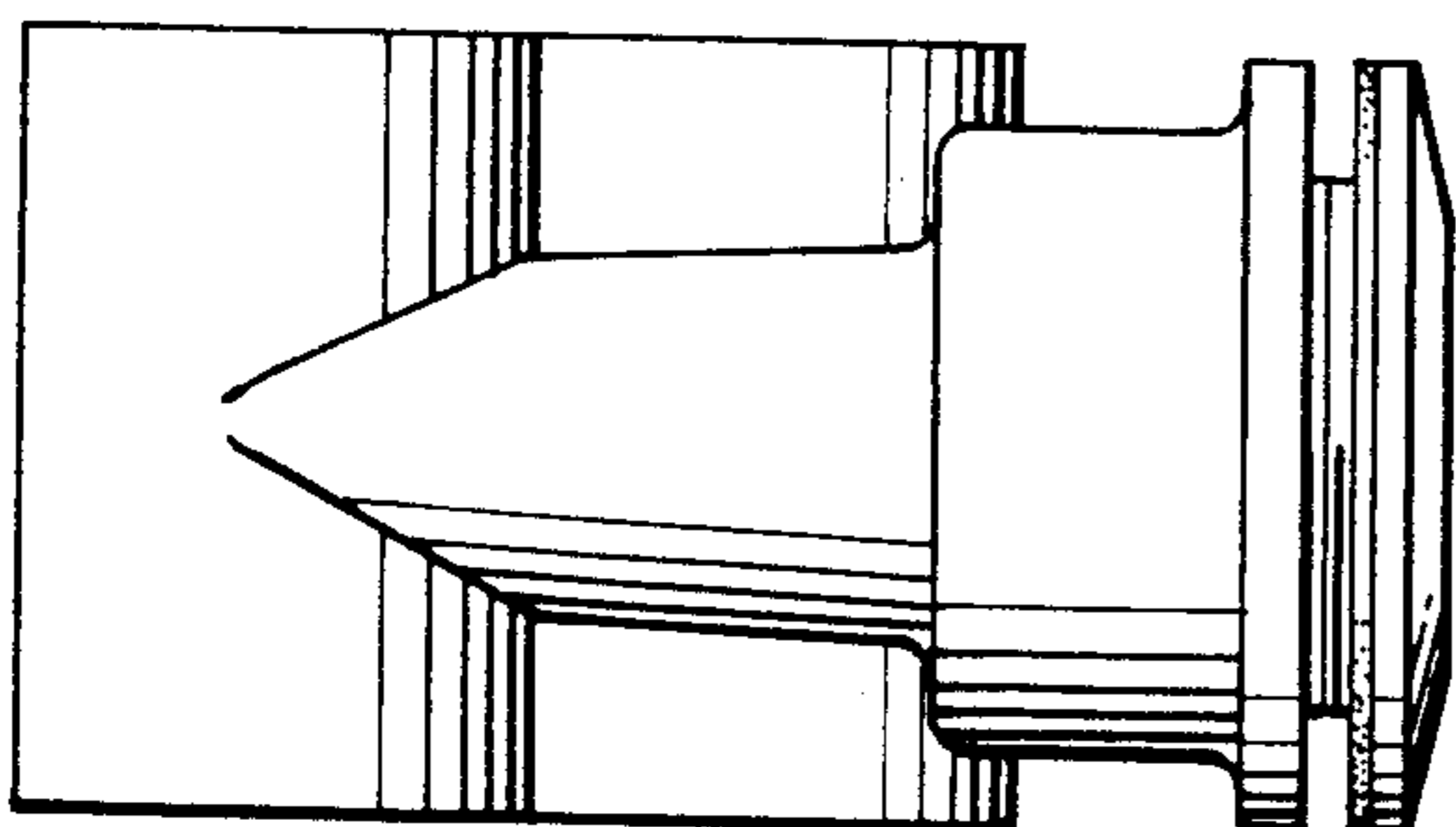


FIG. 5.

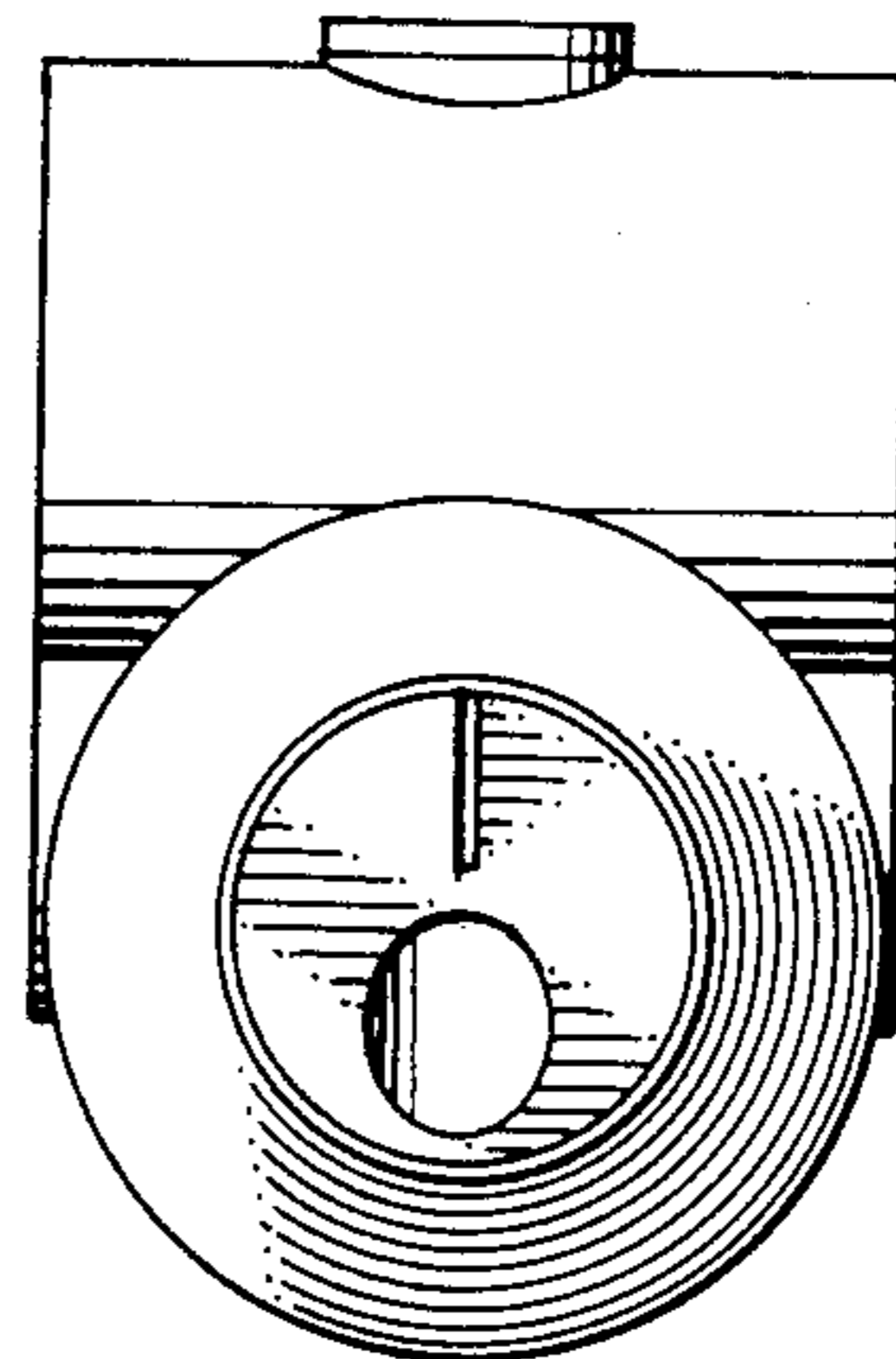


FIG. 6.

