

[54] TELEPHONE BOOTH

[75] Inventors: **Richard Arthur Crump; John Scott Gibson**, both of Ottawa; **Allan Joseph Solar**, Arnprior, all of Canada

[73] Assignee: **Northern Electric Company Limited**, Montreal, Canada

[\*\*] Term: **14 Years**

[21] Appl. No.: **604,353**

[22] Filed: **Aug. 13, 1975**

[51] Int. Cl. .... **D25—99**

[52] U.S. Cl. .... **D25/16**

[58] Field of Search ..... **52/27, 28; D26/14 R, D26/14 A; D25/16**

[56]

**References Cited**

**U.S. PATENT DOCUMENTS**

D. 208,295	8/1967	Dreyfuss et al. ....	D25/16
D. 221,629	8/1971	King .....	D25/16
D. 223,815	6/1972	Ericsson et al. ....	D25/16 X

*Primary Examiner*—A. Hugo Word  
*Attorney, Agent, or Firm*—John E. Mowle

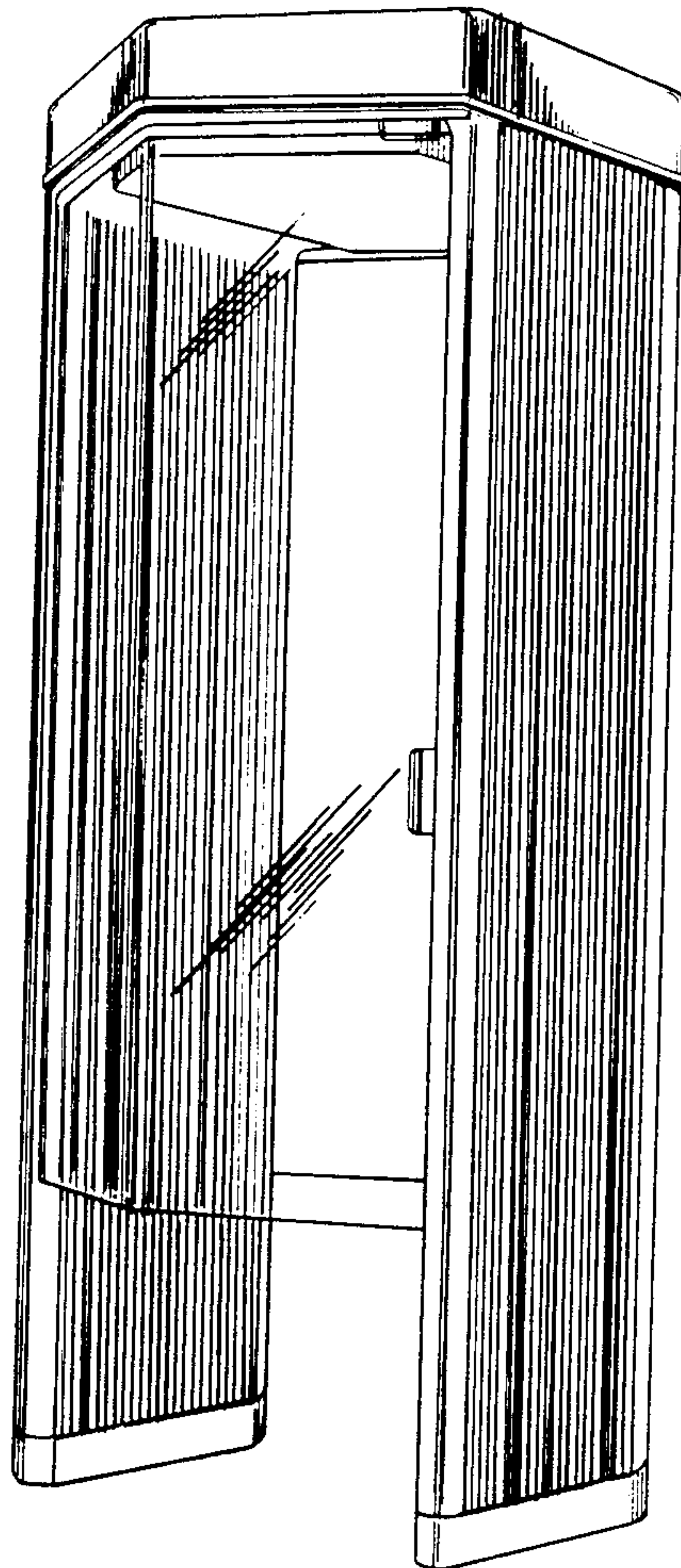
[57]

**CLAIM**

The ornamental design for a telephone booth, substantially as shown.

**DESCRIPTION**

FIG. 1 is a perspective view of a telephone booth, FIG. 2 is a side elevational view, FIG. 3 is a front elevational view, and FIG. 4 is a top plan view thereof.



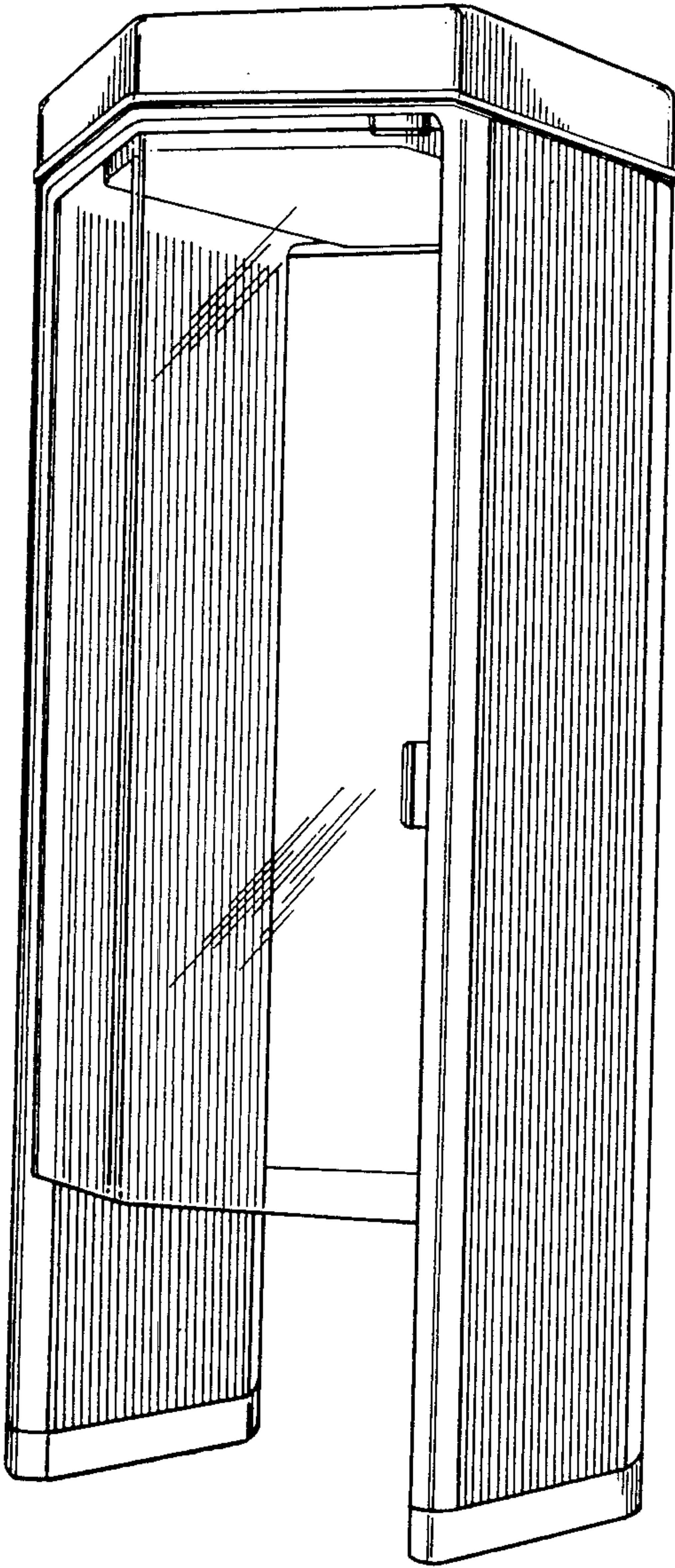


FIG. 1

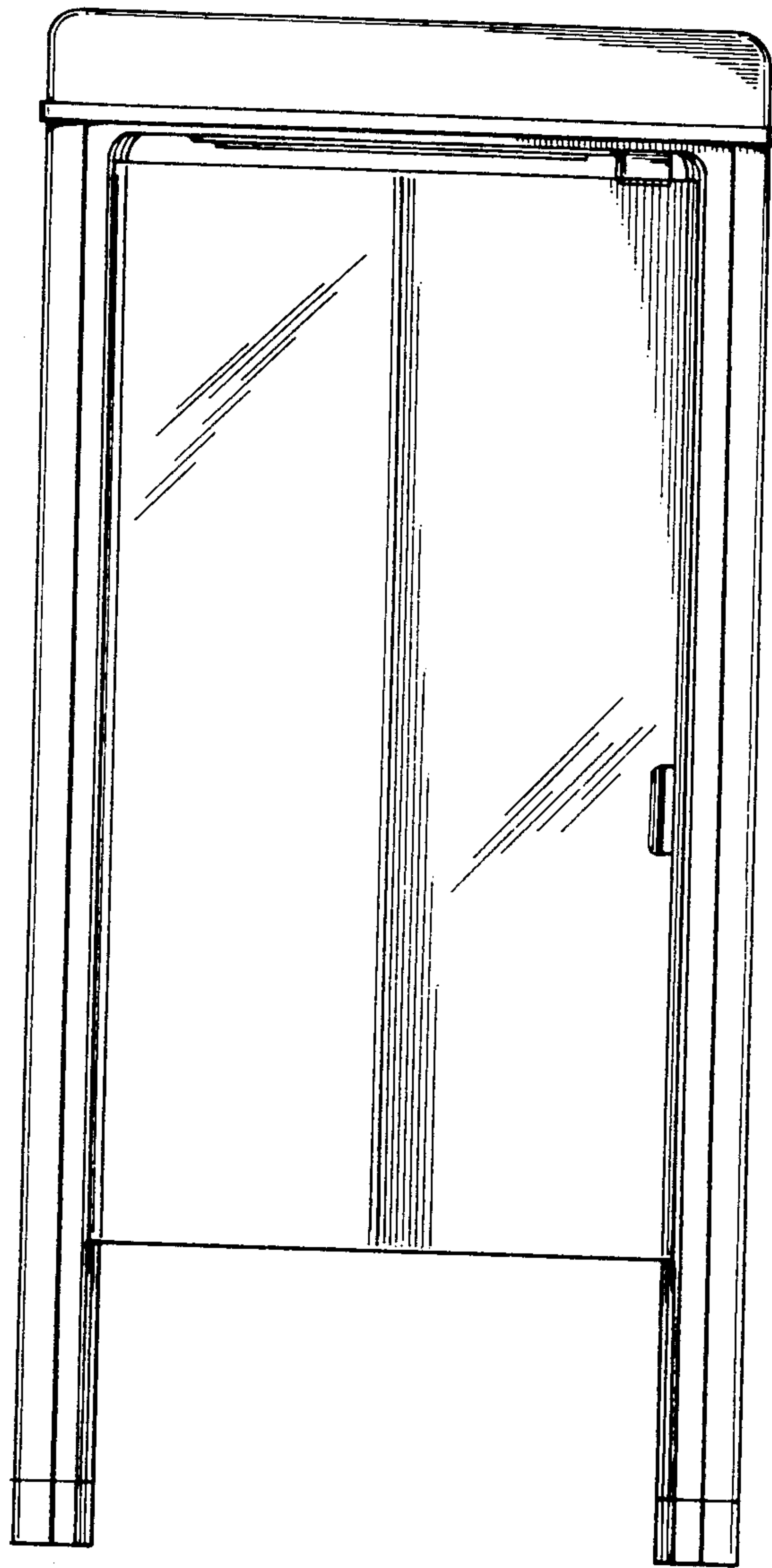


FIG. 2

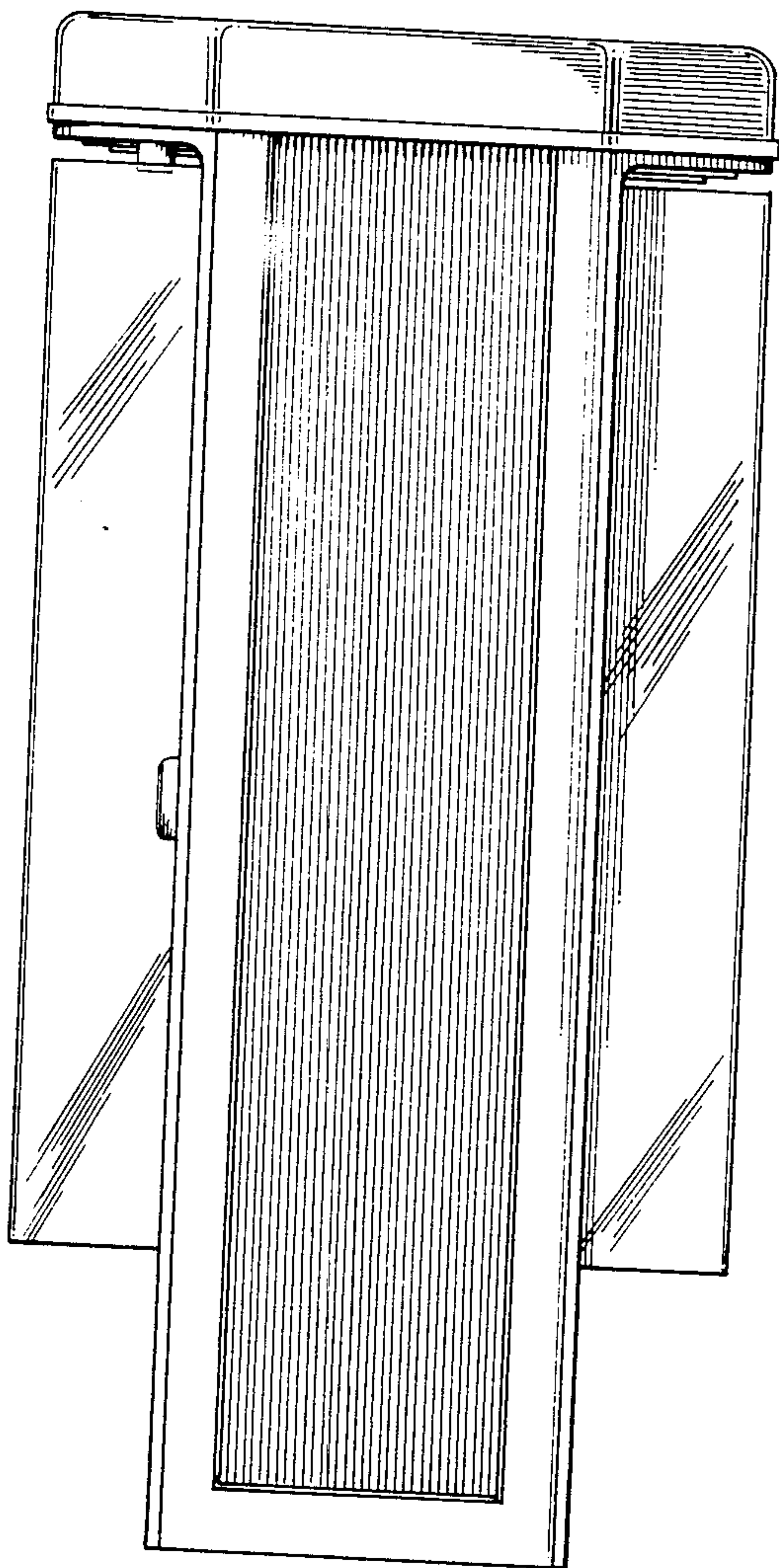


FIG. 3

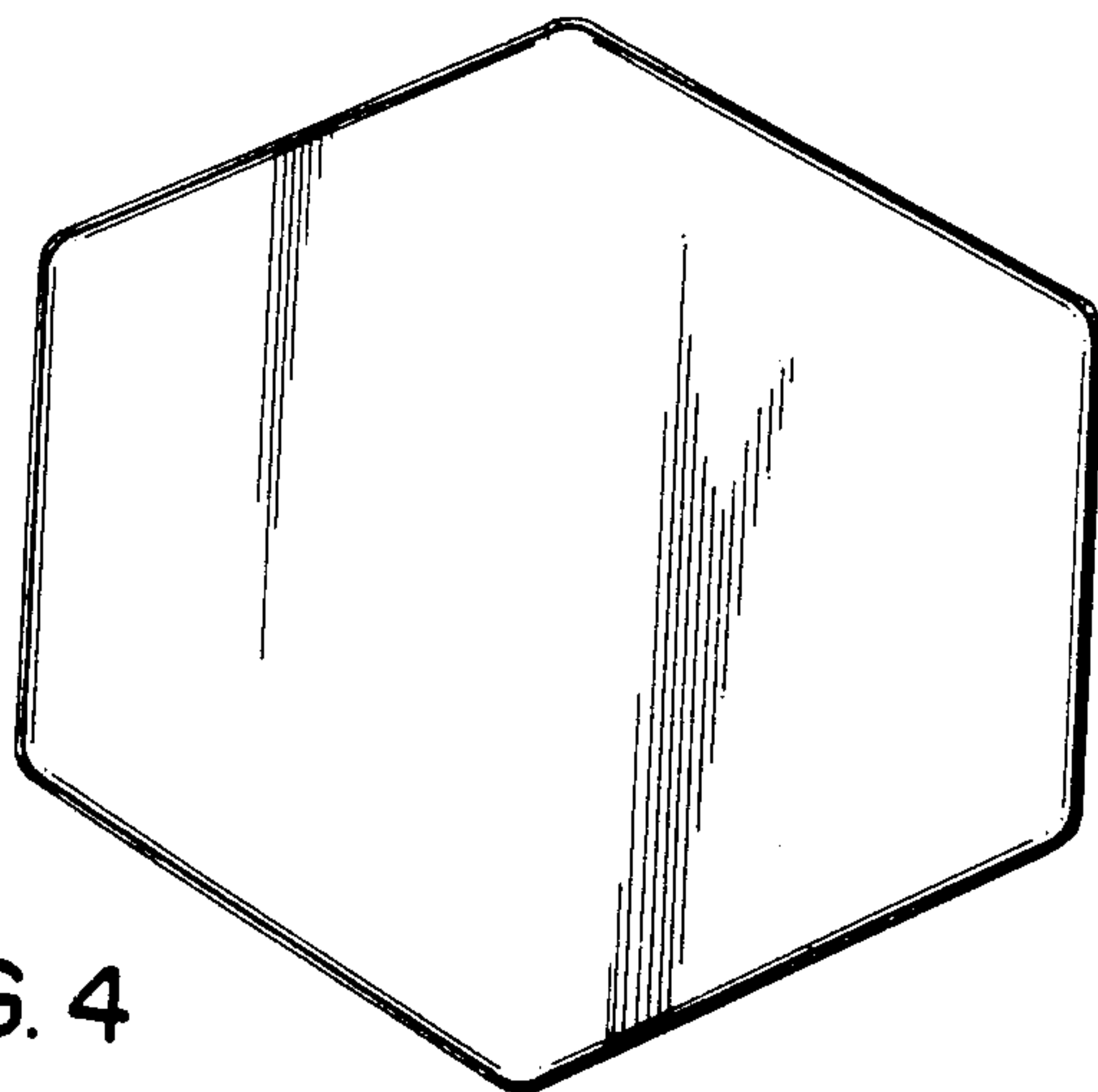


FIG. 4