

[54] SWIMMING POOL

[75] Inventor: Masao Ohshiro, Hamamatsu, Japan

[73] Assignee: Yamaha, Hatsudoki Kabushiki Kaisha

[\*\*] Term: 14 Years

[21] Appl. No.: 662,671

[22] Filed: Mar. 3, 1976

Related U.S. Application Data

[62] Division of Ser. No. 490,928, July 23, 1974.

[30] Foreign Application Priority Data

Jan. 25, 1974	Japan	49-3114
Jan. 25, 1974	Japan	49-3115
Jan. 25, 1974	Japan	49-3116
Jan. 25, 1974	Japan	49-3113

[51] Int. Cl. D25-99

[52] U.S. Cl. D25/2

[58] Field of Search D25/2; D13/1 G; 52/265, 52/169, 47 F; D36/5 F; 4/172 A

[56] References Cited

U.S. PATENT DOCUMENTS

3,500,602	3/1970	Ueno	52/478 X
3,631,544	1/1970	Tytel	D13/1 G
D. 181,044	9/1957	Eubanks, Jr.	D25/2
D. 228,891	10/1973	Figuroa	D25/2

OTHER PUBLICATIONS

Playthings, Feb. 10, 1960, P. 200, pool at top left.

Primary Examiner—A. Hugo Word  
Attorney, Agent, or Firm—Lawrence I. Lerner

[57] CLAIM

The ornamental design for a swimming pool, as shown.

DESCRIPTION

FIG. 1 is a front view of a swimming pool showing my new design.

FIG. 2 is a rear view of FIG. 1.

FIG. 3 is a right or left-side view of FIG. 1.

FIG. 4 is a top plan view of FIG. 1.

FIG. 5 is a bottom plan view of FIG. 1.

FIG. 6 is a perspective plan view of FIG. 1.

FIG. 7 is a front view of a second embodiment of the new design.

FIG. 8 is a rear view of FIG. 7.

FIG. 9 is a top plan view of FIG. 7.

FIG. 10 is a right-side view of FIG. 7.

FIG. 11 is a left-side view of FIG. 7.

FIG. 12 is a bottom plan view of FIG. 7.

FIG. 13 is a perspective plan view of FIG. 7.

FIG. 14 is a front view of a third embodiment of the new design.

FIG. 15 is a rear view of FIG. 14.

FIG. 16 is a right or left-side view of FIG. 14.

FIG. 17 is a top plan view of FIG. 14.

FIG. 18 is a bottom plan view of FIG. 14.

FIG. 19 is a perspective plan view of FIG. 14.

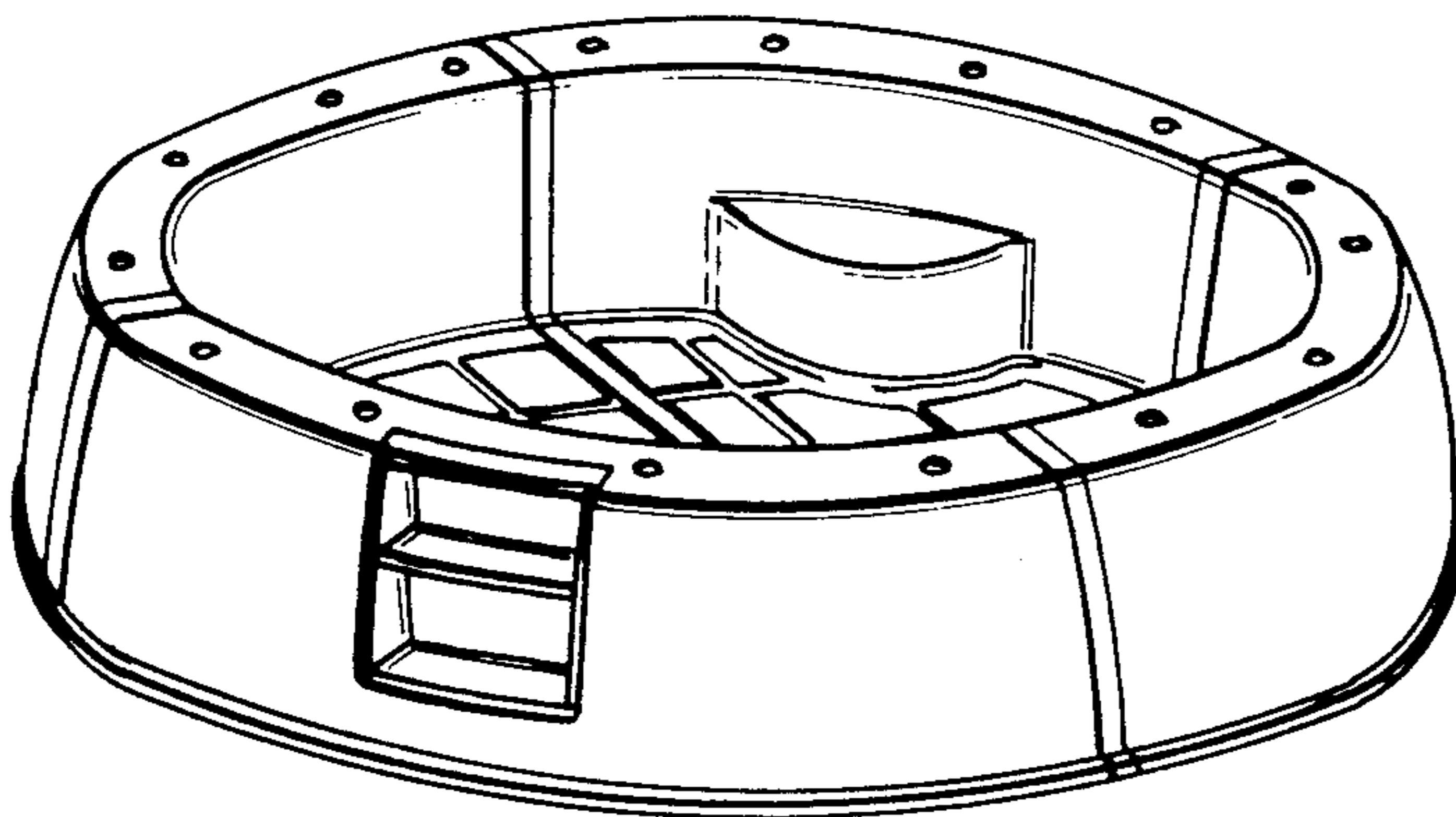


FIG. 1

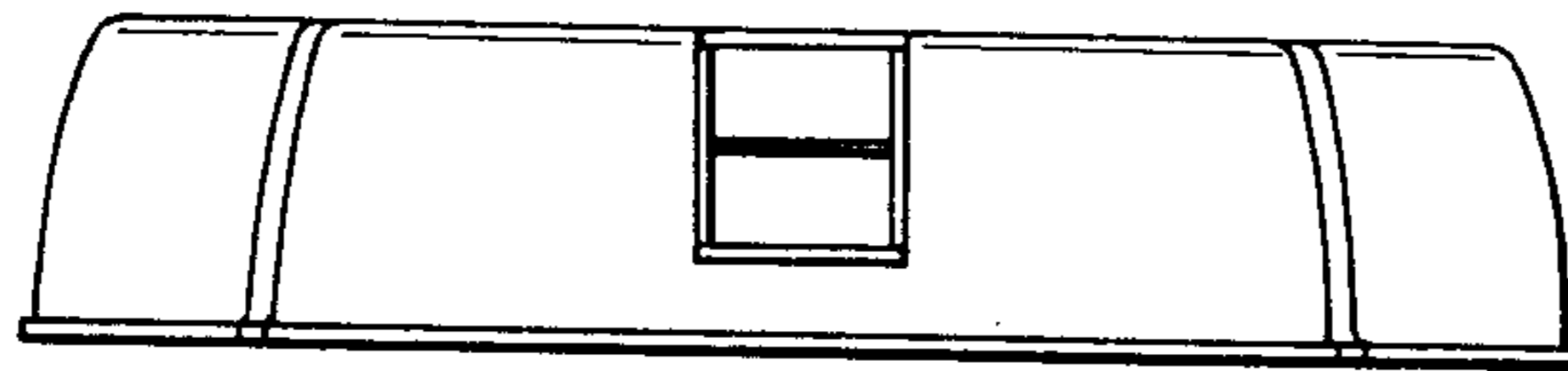


FIG. 2

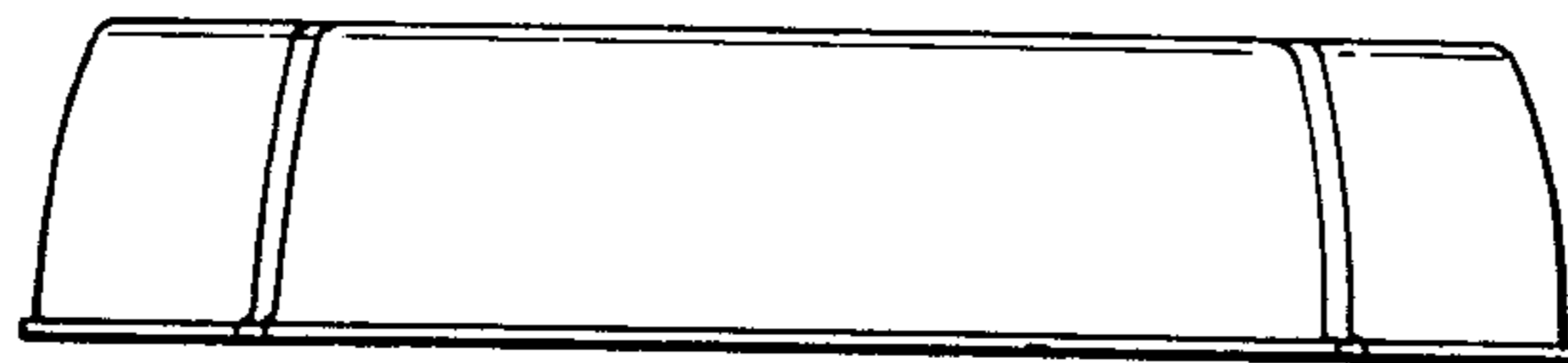


FIG. 3



FIG. 4

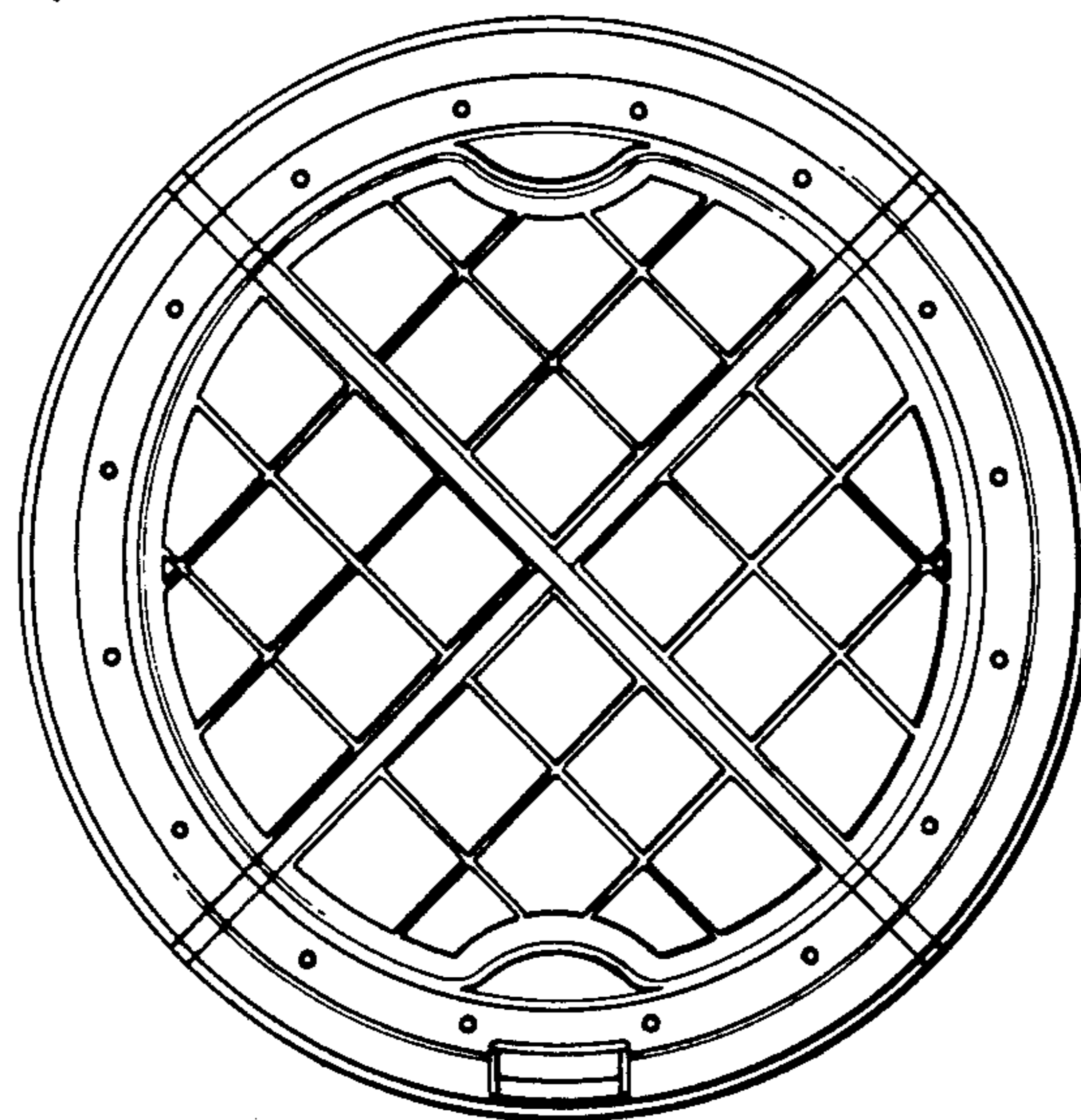


FIG. 5

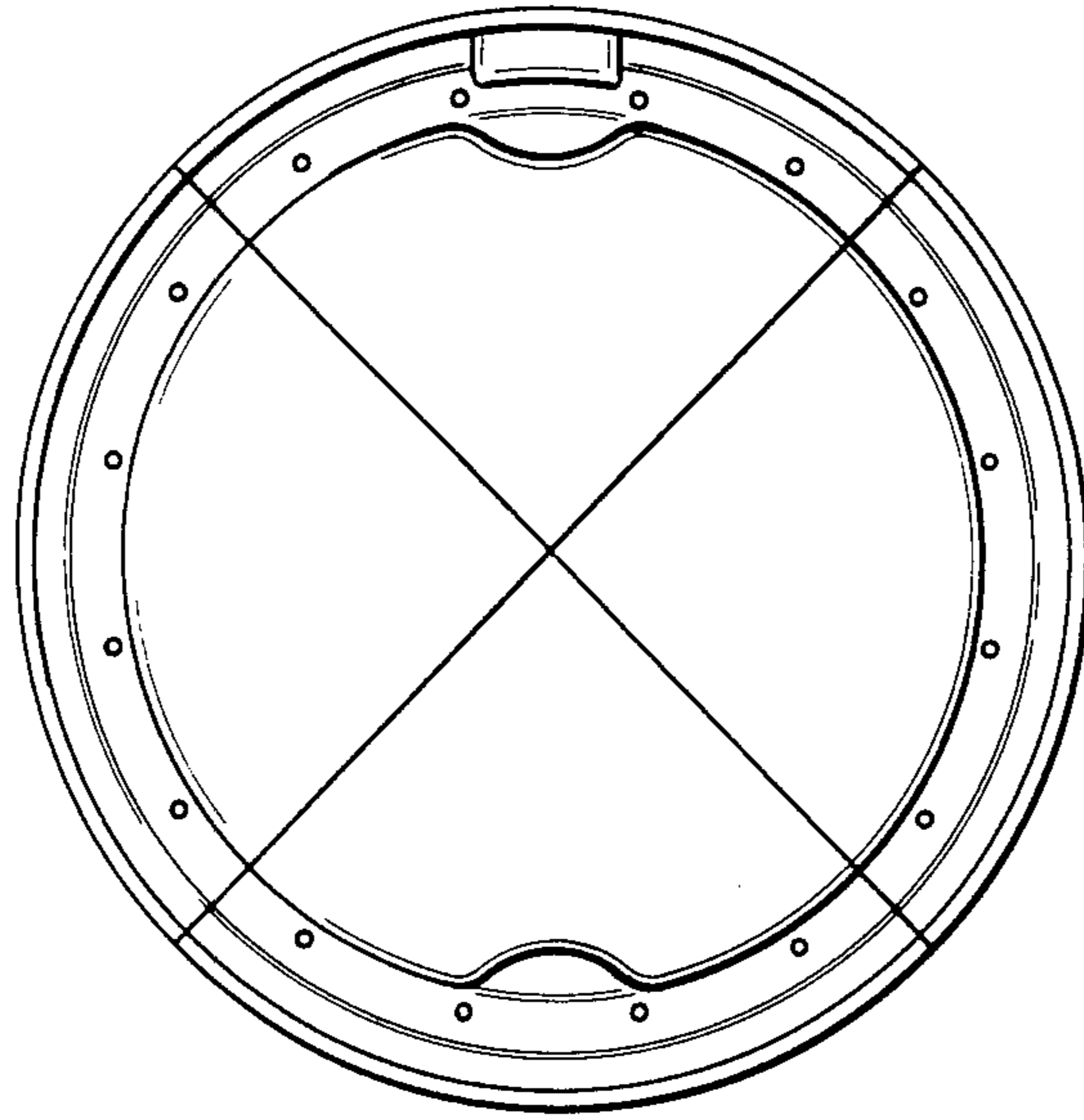


FIG. 6

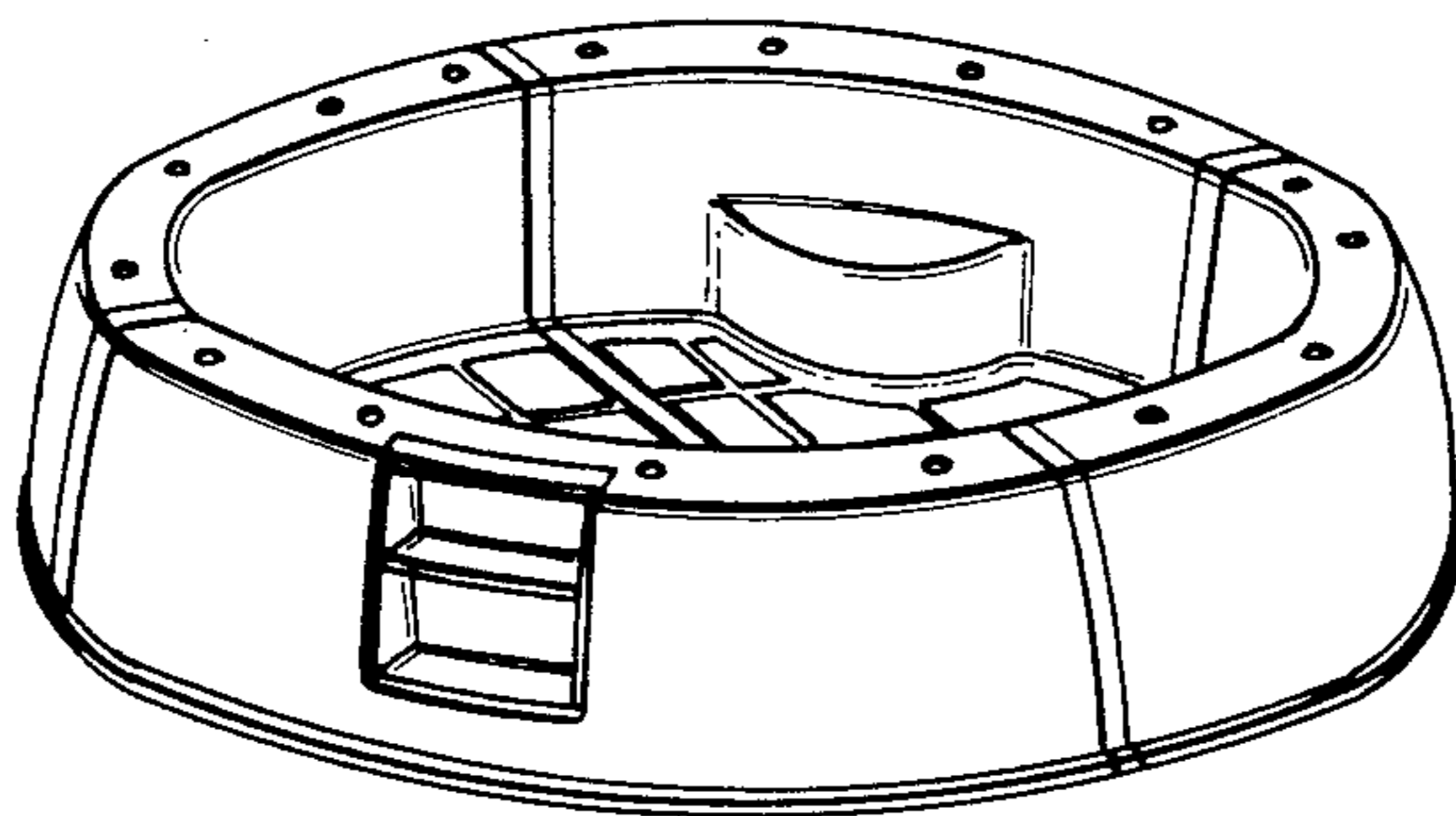


FIG. 7

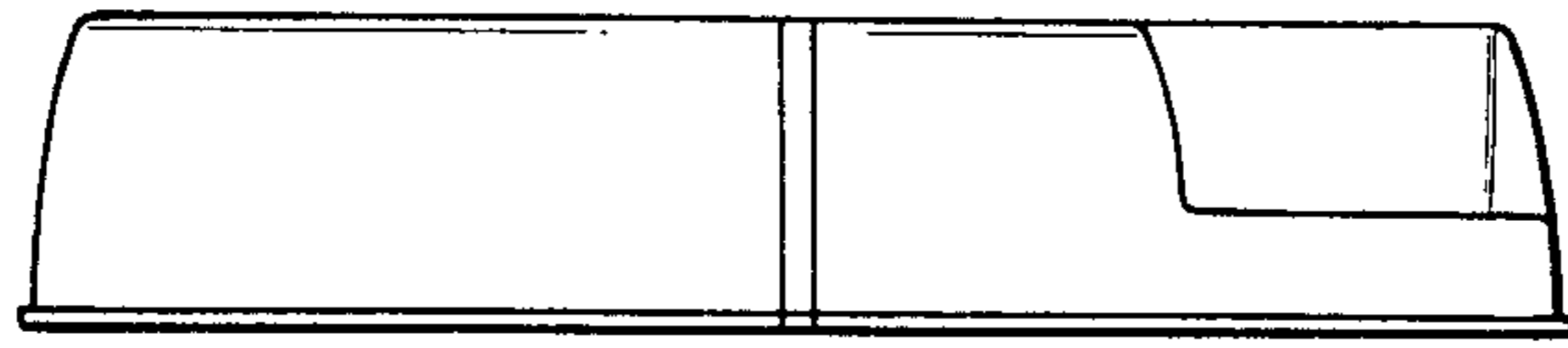


FIG. 8

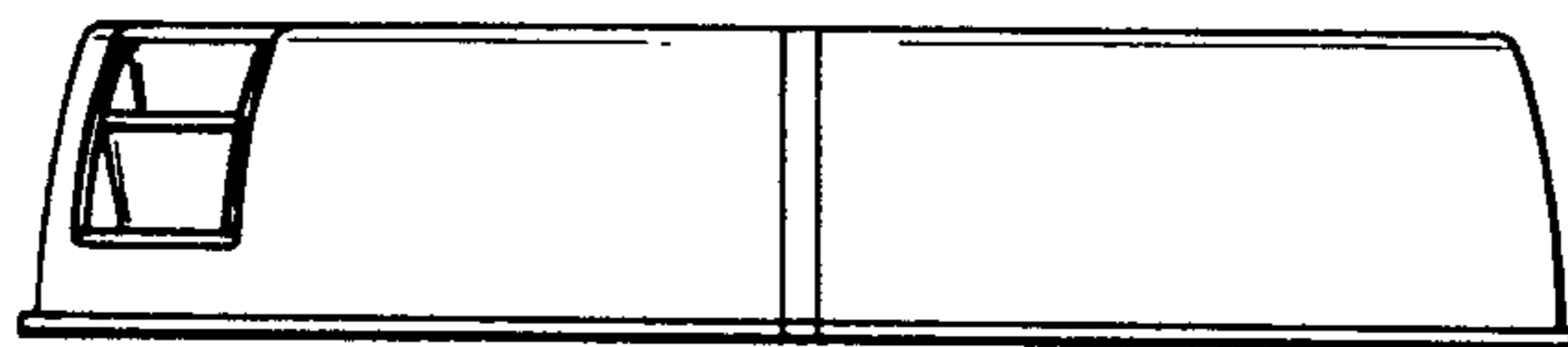


FIG. 9

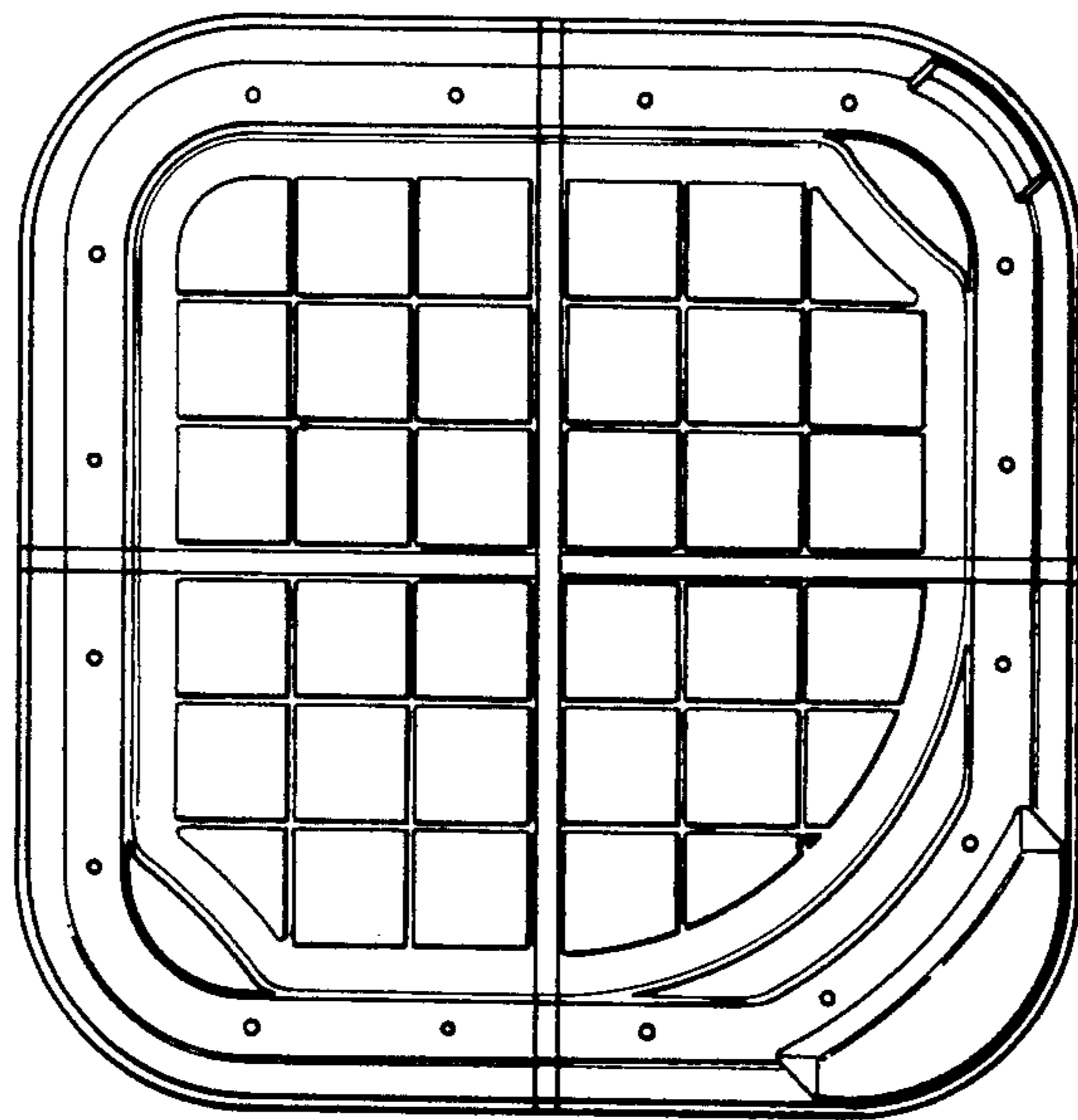


FIG.10

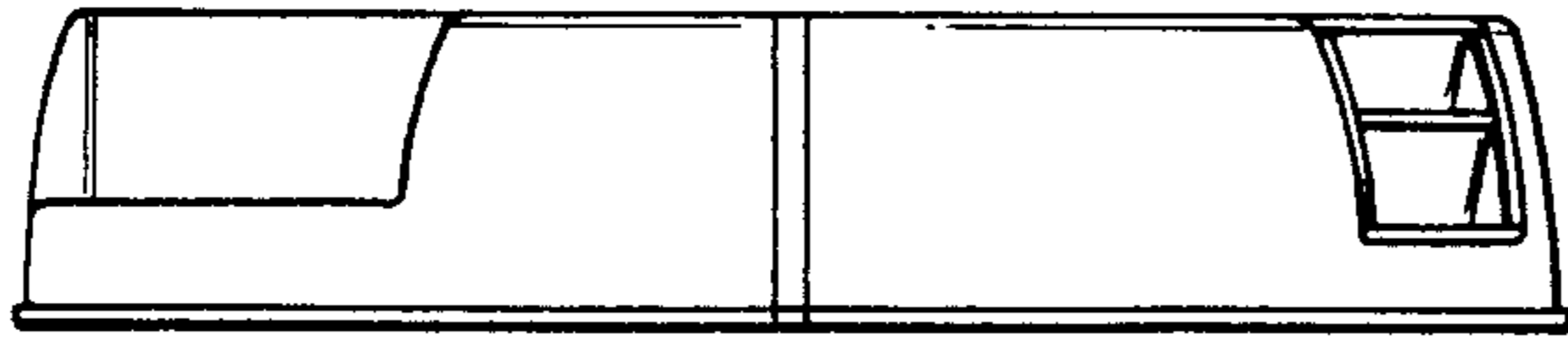


FIG.11

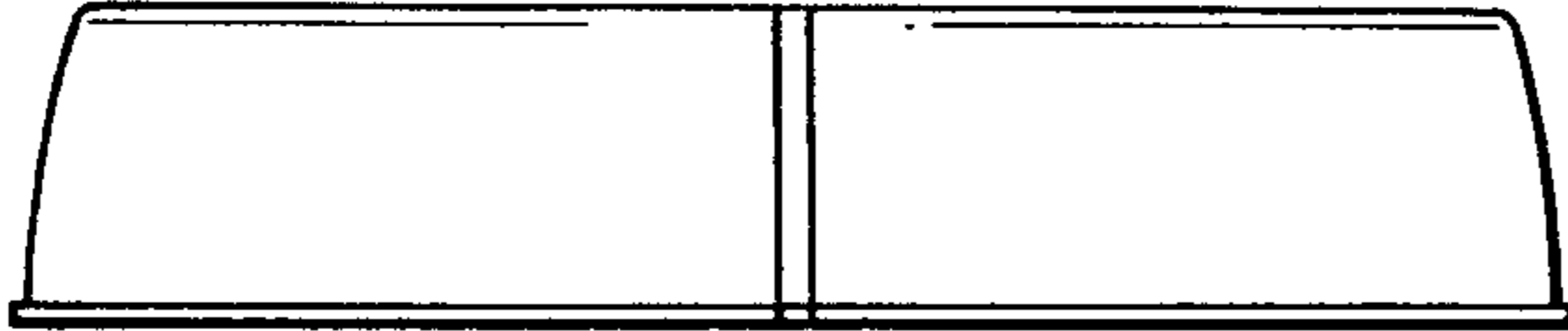
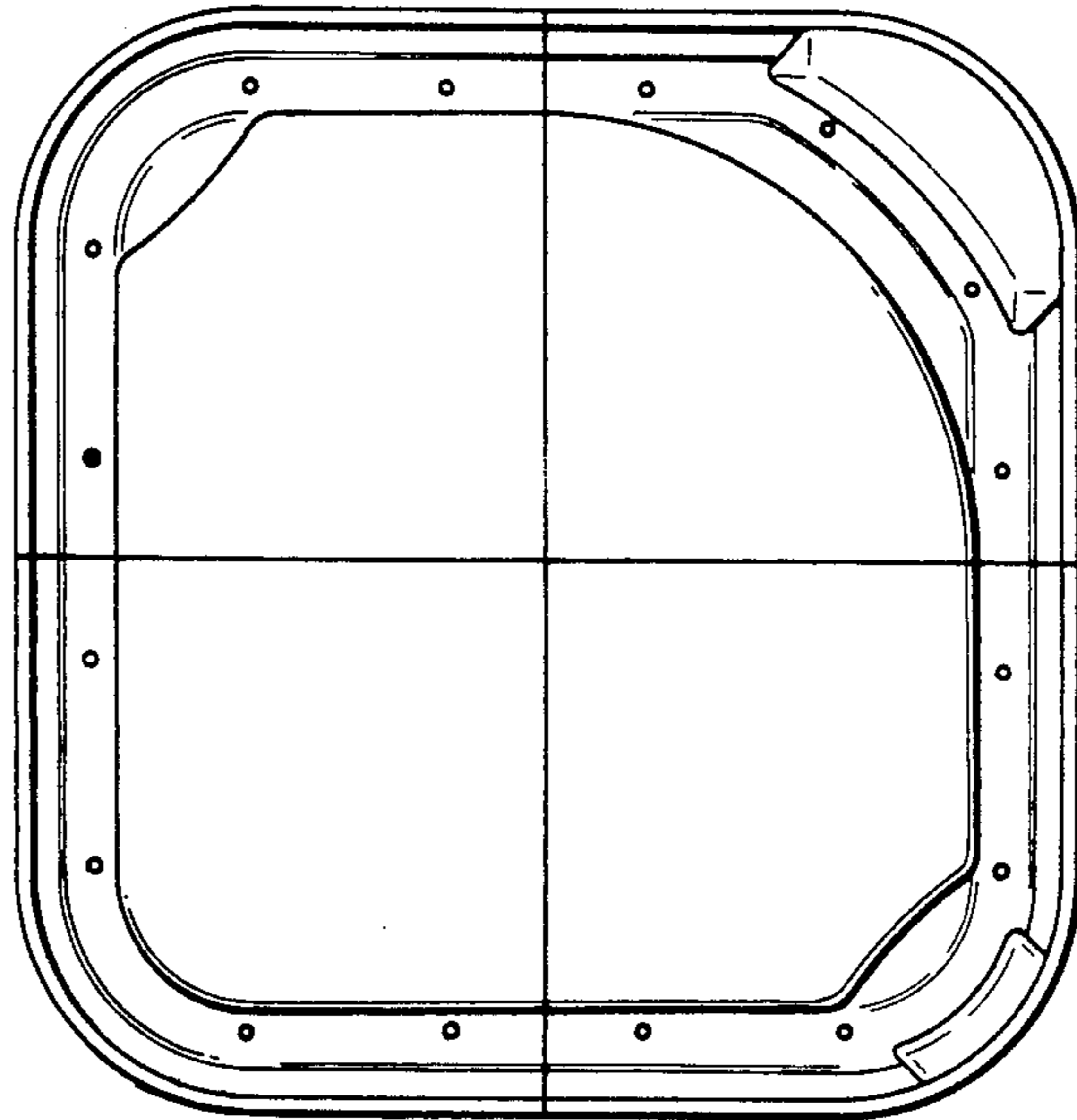


FIG.12



*FIG. 13*

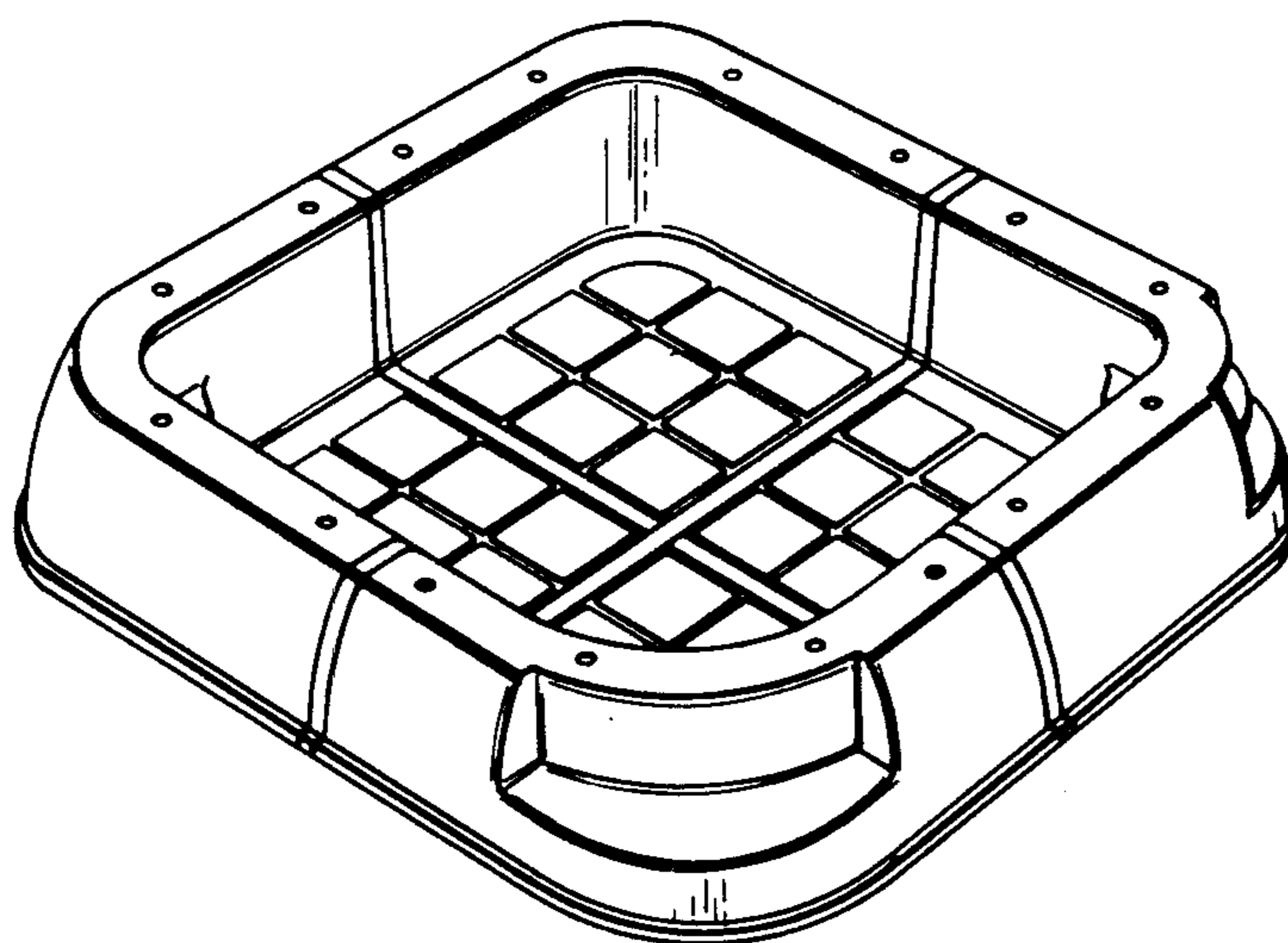


FIG.14



FIG.15

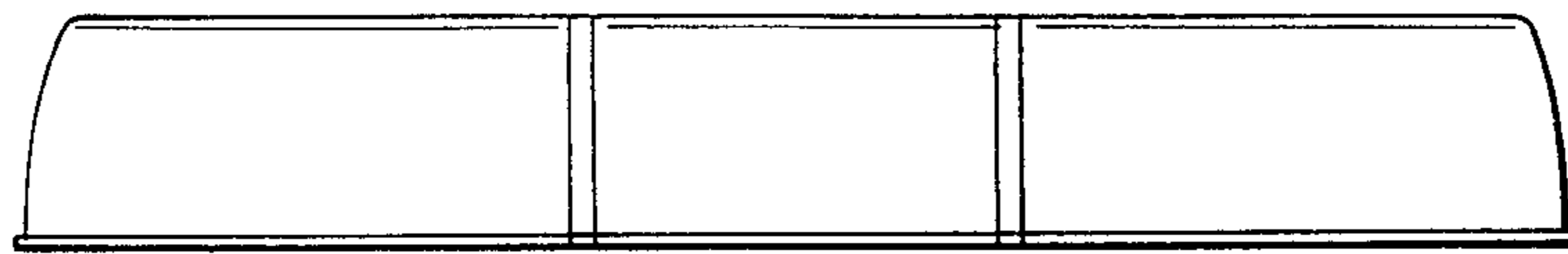


FIG.16

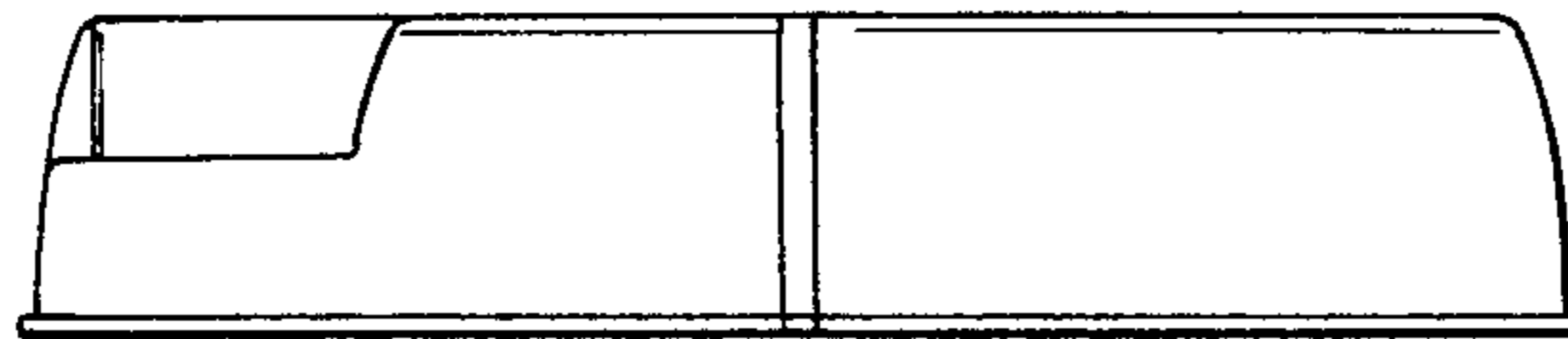


FIG.17

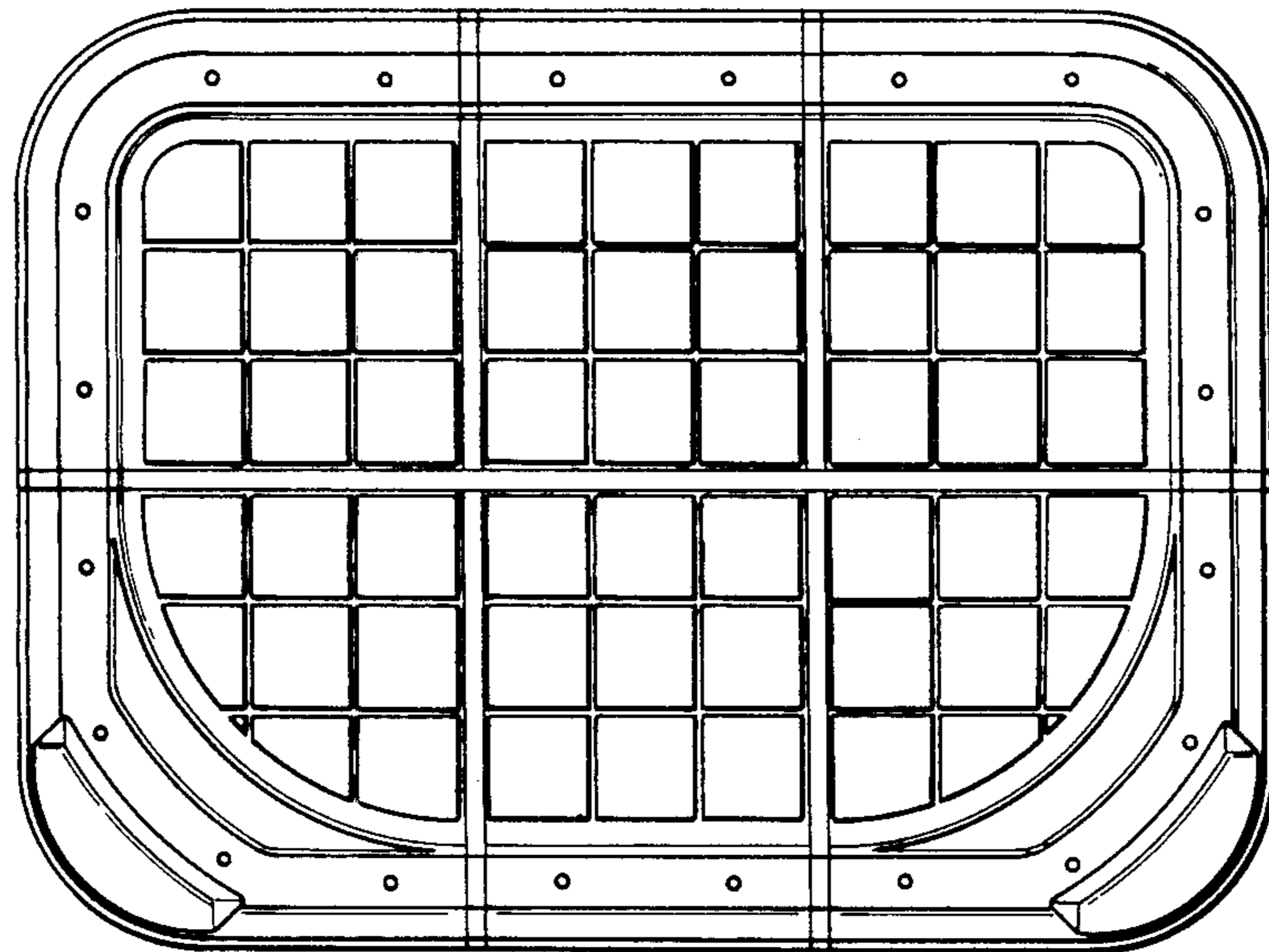


FIG.18

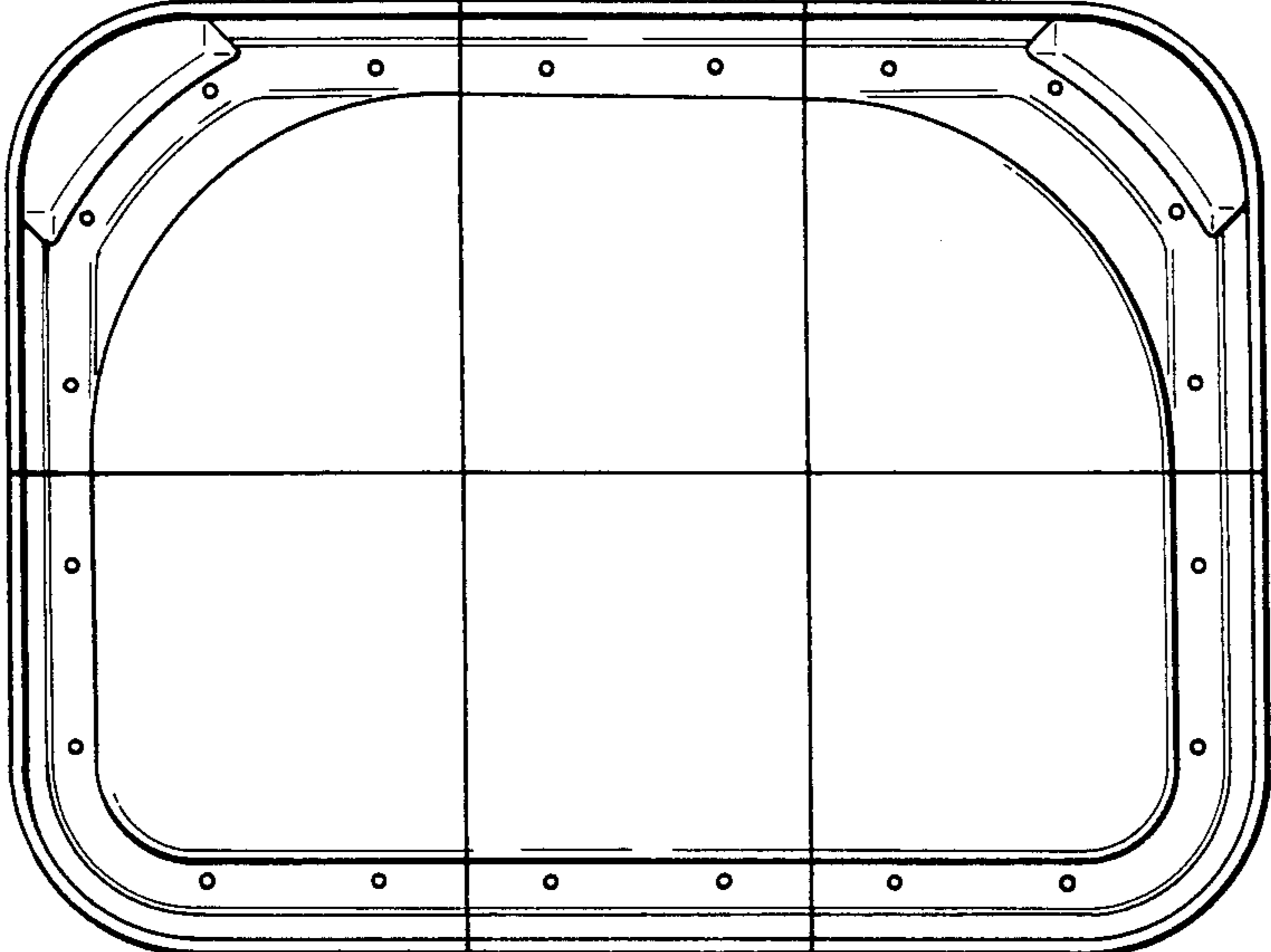


FIG.19

