

[54] PHOTOGRAPHIC PROCESSING CONTAINER

[76] Inventor: Thomas H. Maass, 3500 W. Manchester, Inglewood, Calif. 90305

[**] Term: 14 Years

[21] Appl. No.: 586,627

[22] Filed: June 13, 1975

[51] Int. Cl. D16-04

[52] U.S. Cl. D16/33

[58] Field of Search D9/224, 184, 185, 187, D9/189; D6/85-95; D87/1 R; 206/69, 467, 486, 490; D16/38, 33, 34, 35

[56] References Cited

U.S. PATENT DOCUMENTS

2,522,049	9/1950	Lang	D9/185
3,203,540	8/1965	Kalt et al.	206/486
D. 229,367	11/1973	Maugham	D87/1 R

OTHER PUBLICATIONS

Photomethods, 4-1975, p. 21, Agnekolor Print Processor.

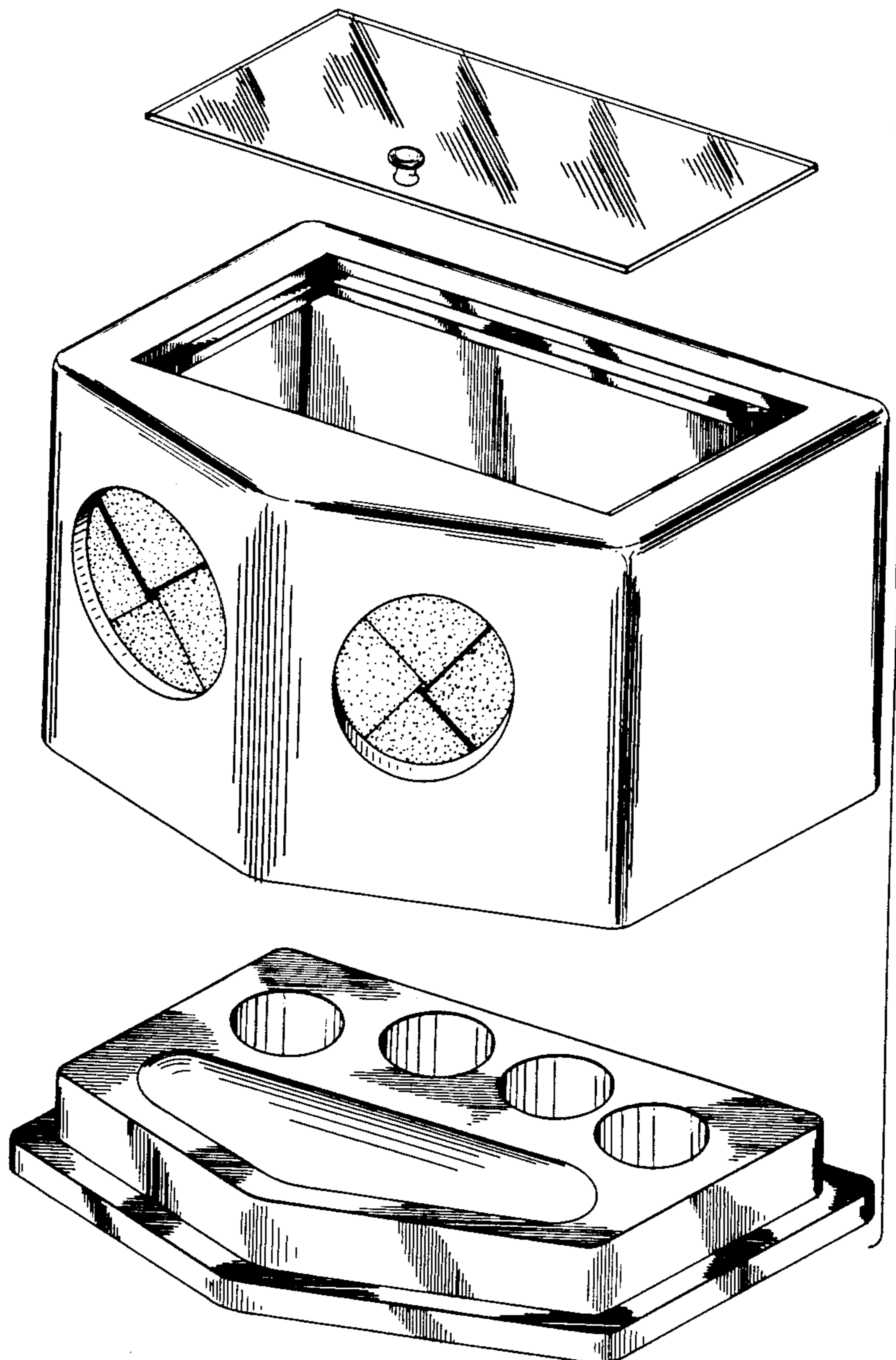
Primary Examiner—Joel Stearman
Assistant Examiner—C. A. Rademaker
Attorney, Agent, or Firm—Edward A. Sokolski

[57] CLAIM

The ornamental design for a photographic processing container, as shown and described.

DESCRIPTION

FIG. 1 is a top plan view of the container showing my new design;
FIG. 2 is a front elevational view thereof;
FIG. 3 is a side elevational view thereof;
FIG. 4 is a rear elevational view thereof;
FIG. 5 is a top perspective view thereof; and
FIG. 6 is a top perspective view thereof in an exploded condition.
The bottom of the container is plain and unadorned.



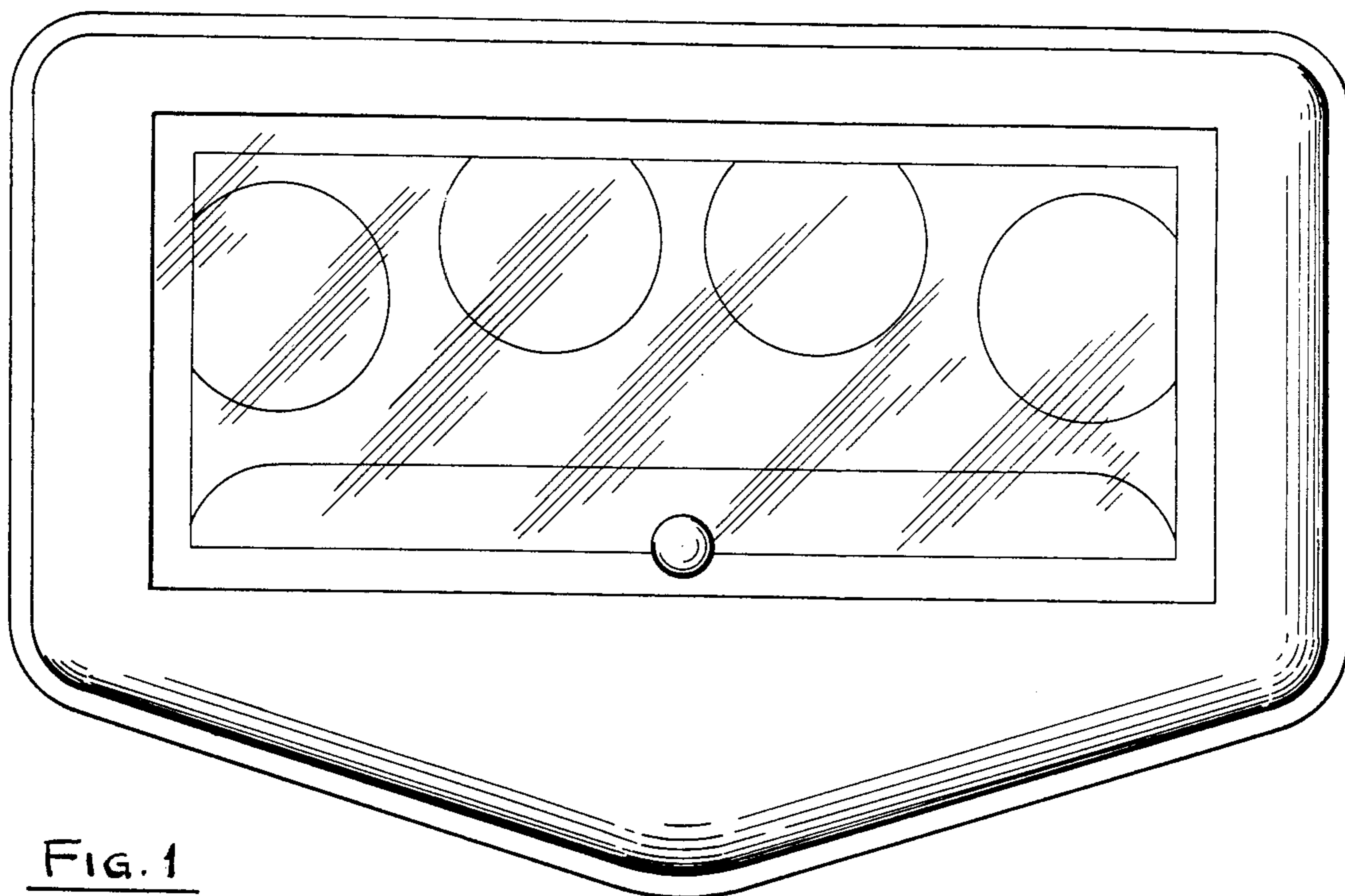


FIG. 1

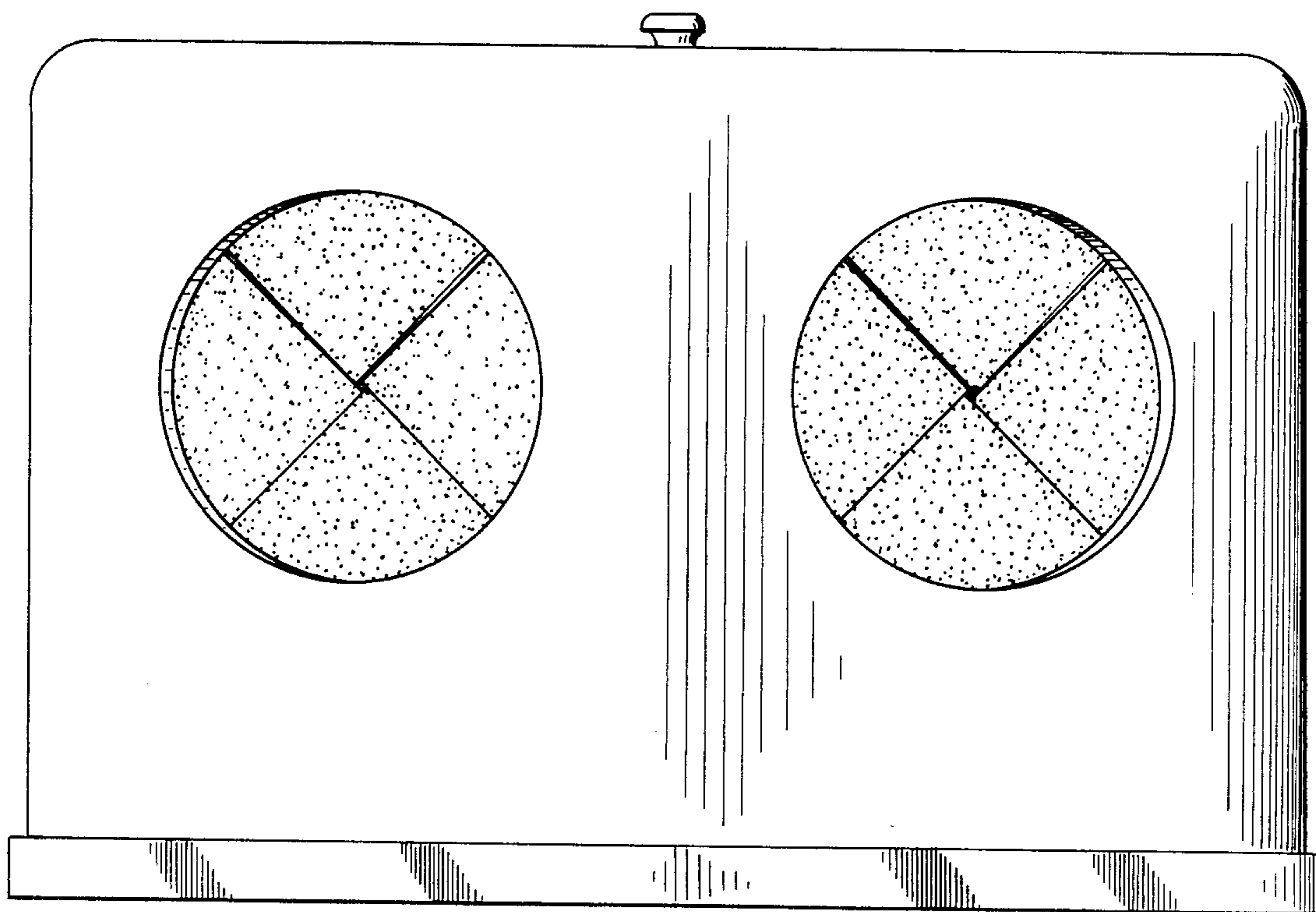


FIG. 2

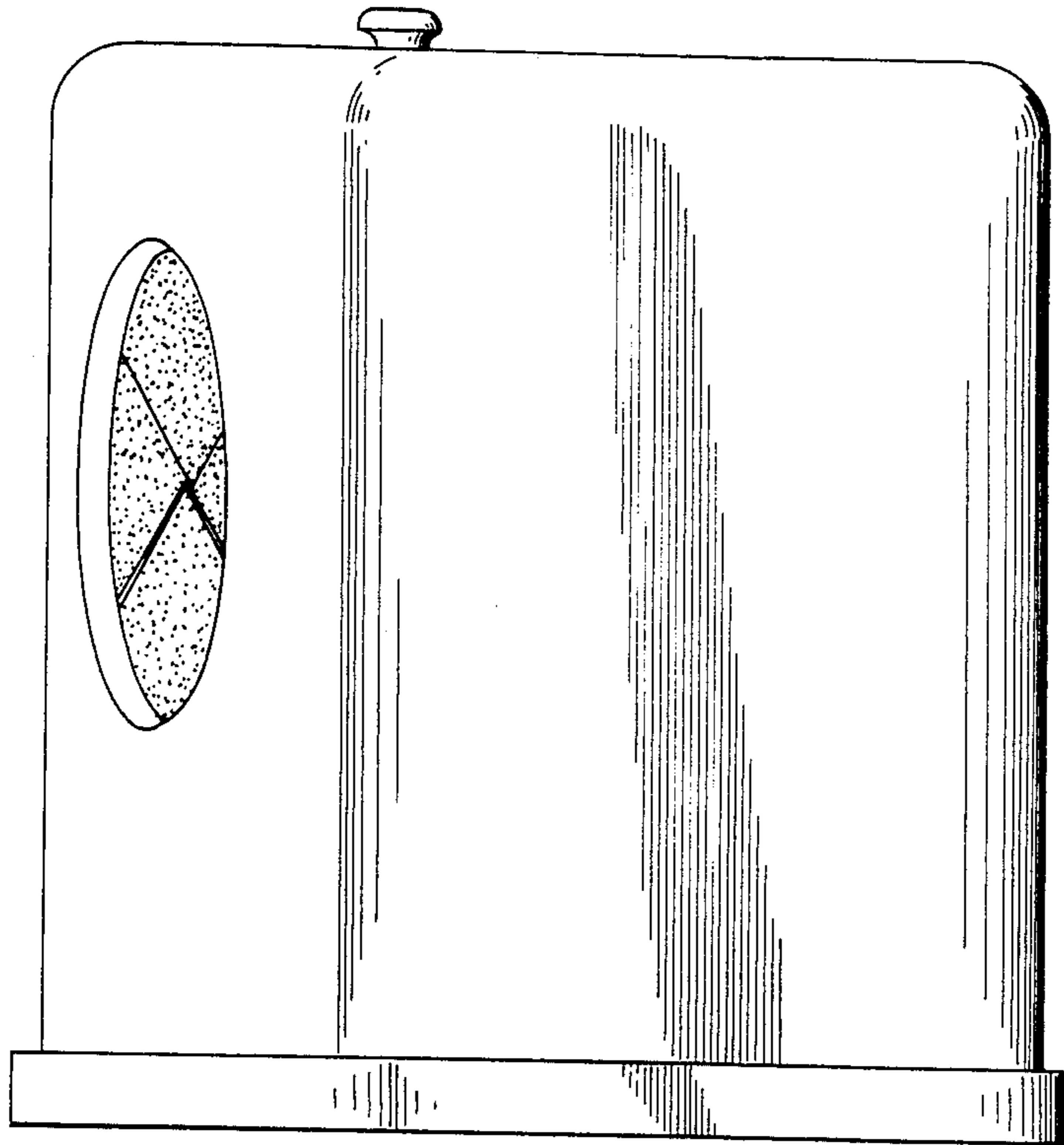


FIG. 3

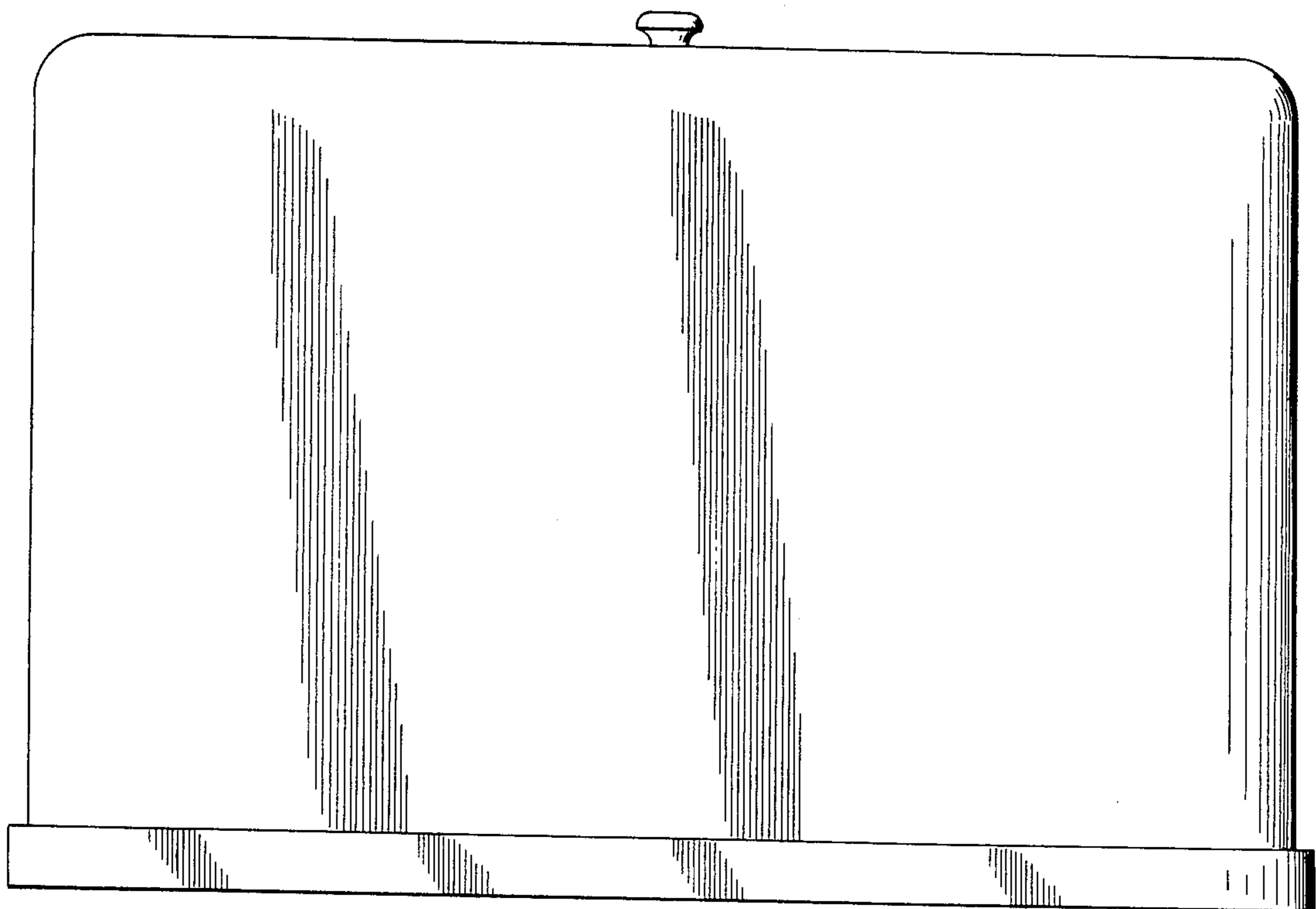


FIG. 4

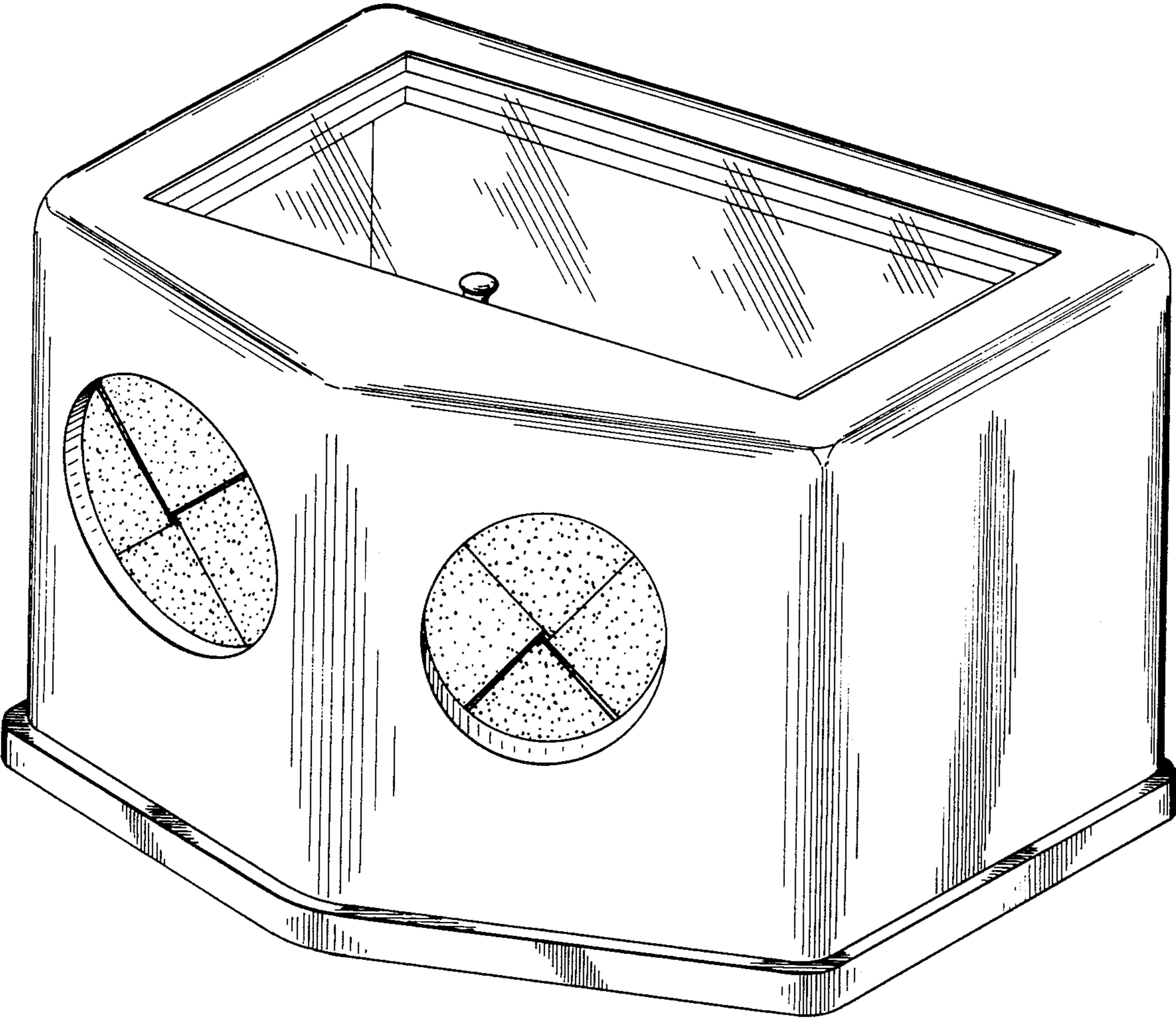


FIG. 5

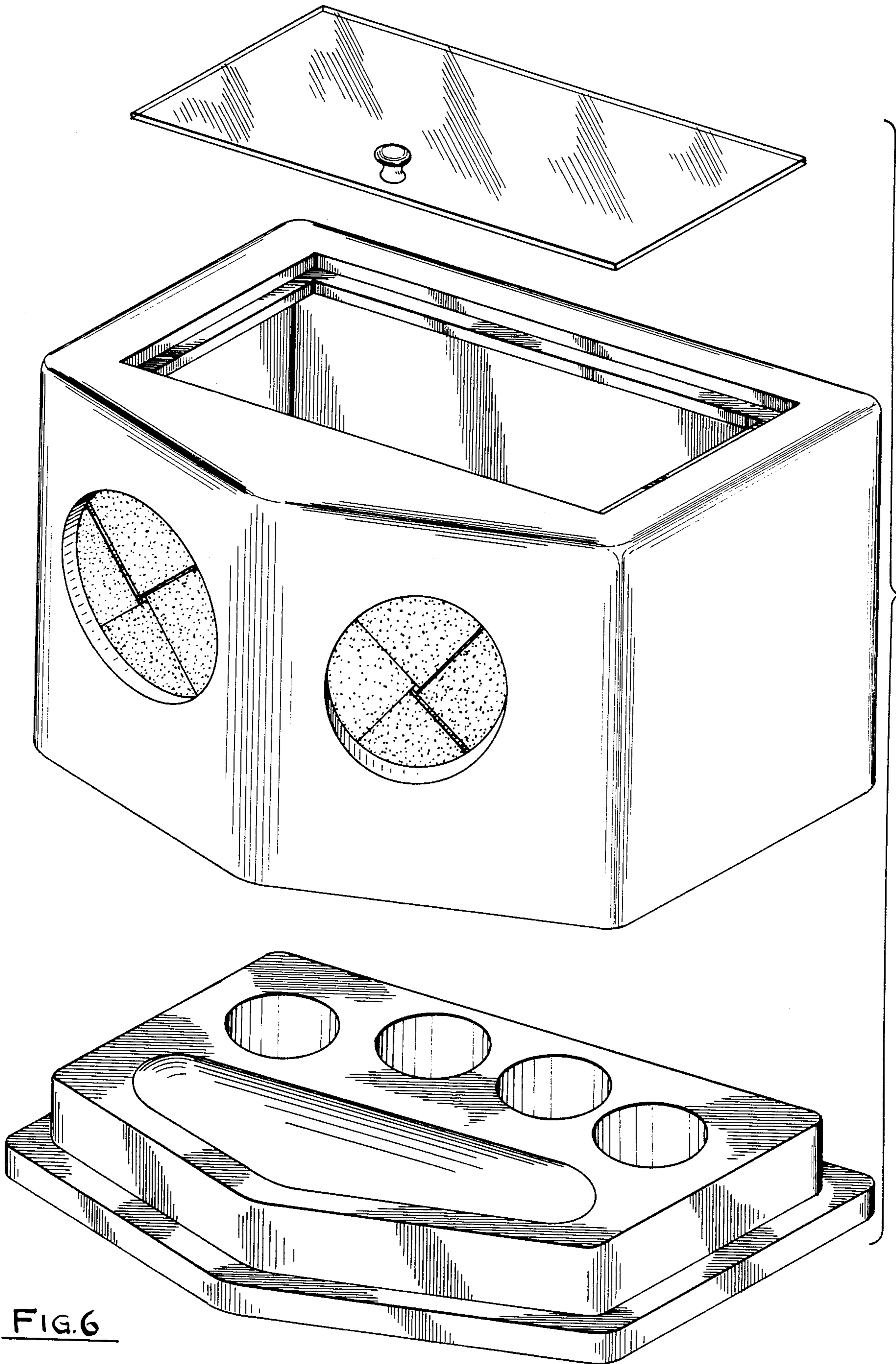


FIG. 6