

[54] MACHINE TOOL

[75] Inventors: **Earl R. Lohneis; Frank Zankl**, both of Milwaukee; **Clifford Brooks Stevens**, Fox Point; **Thomas J. Green**, West Bend, all of Wis.

[73] Assignee: **Kearney & Trecker Corporation**, West Allis, Wis.

[**] Term: **14 Years**

[21] Appl. No.: **683,699**

[22] Filed: **May 6, 1976**

[51] Int. Cl. **D15-09**

[52] U.S. Cl. **D15/122**

[58] Field of Search **D15/122, 127**

[56] **References Cited**

U.S. PATENT DOCUMENTS

D. 221,301 7/1971 Stevens D15/122
D. 221,590 8/1971 Larsen D15/122

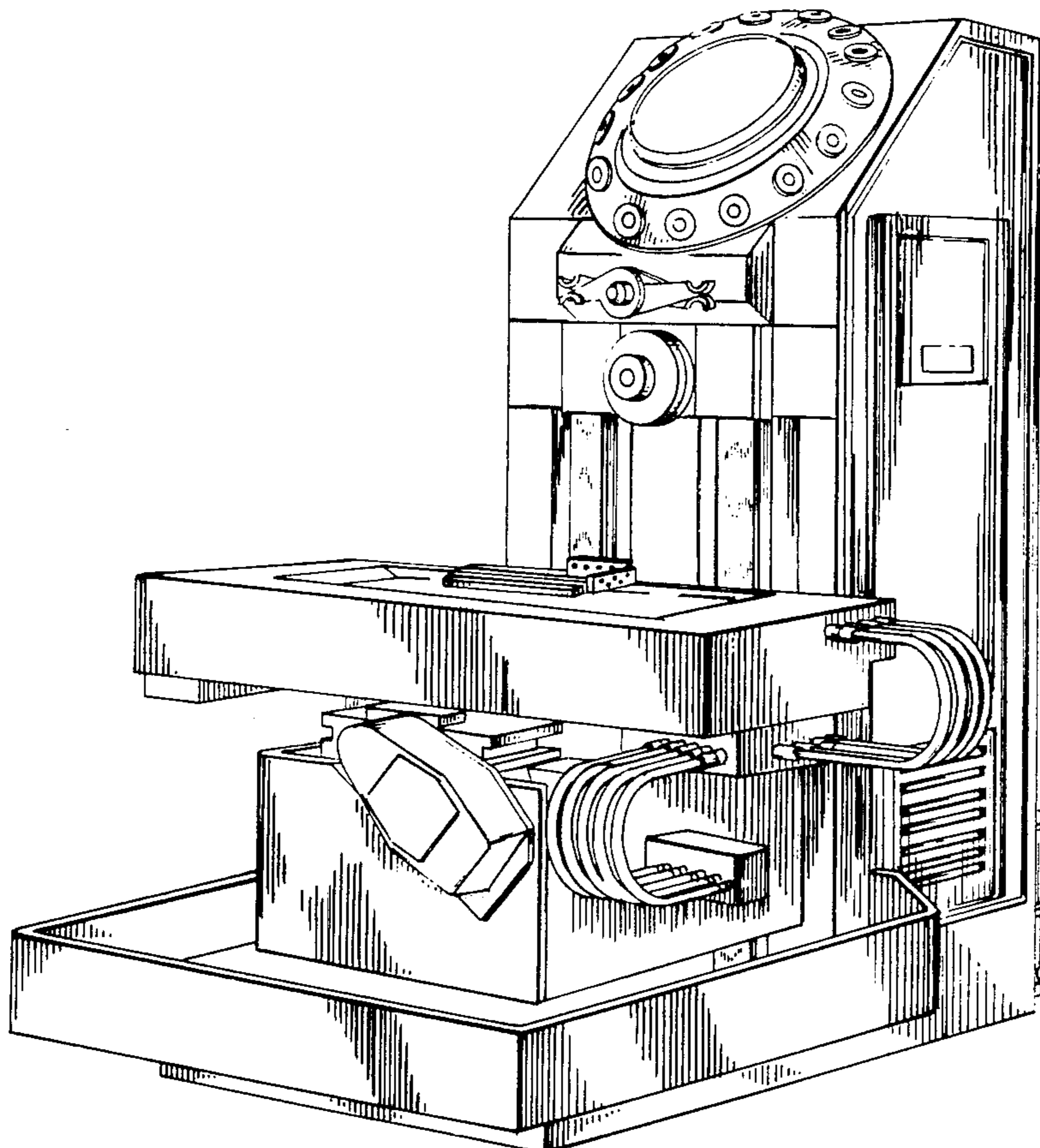
Primary Examiner—Alan P. Douglas
Attorney, Agent, or Firm—Cyril M. Hajewski

[57] **CLAIM**

The ornamental design for a machine tool, as shown and described.

DESCRIPTION

FIG. 1 is a perspective view of a machine tool illustrating our new design;
FIG. 2 is a front view in elevation of the machine tool shown in FIG. 1;
FIG. 3 is a right side view in elevation of the machine tool shown in FIG. 1;
FIG. 4 is a left side view in elevation of the machine tool shown in FIG. 1; and
FIG. 5 is a plan view in elevation of the machine tool shown in FIG. 1.



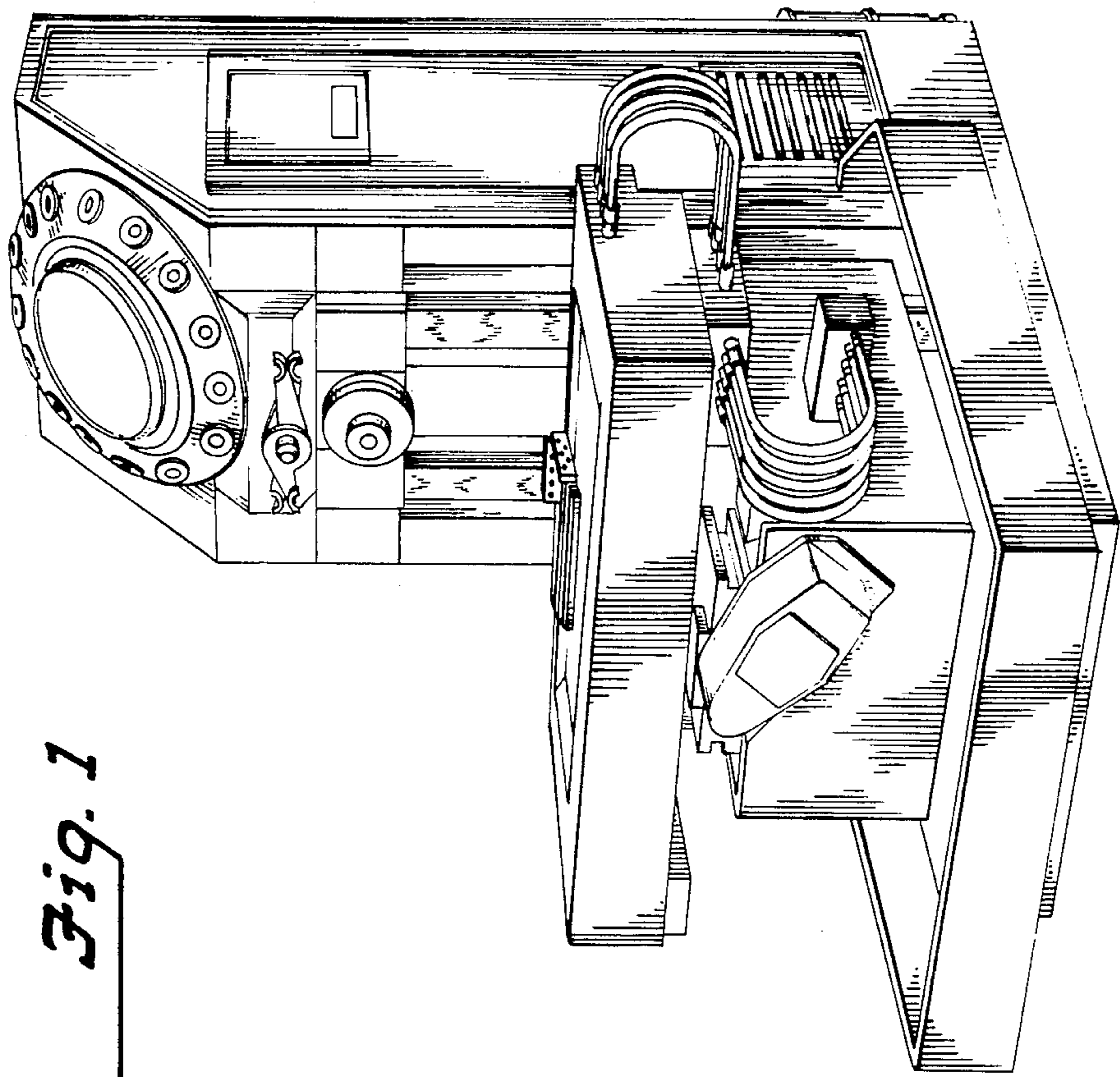


Fig. 1

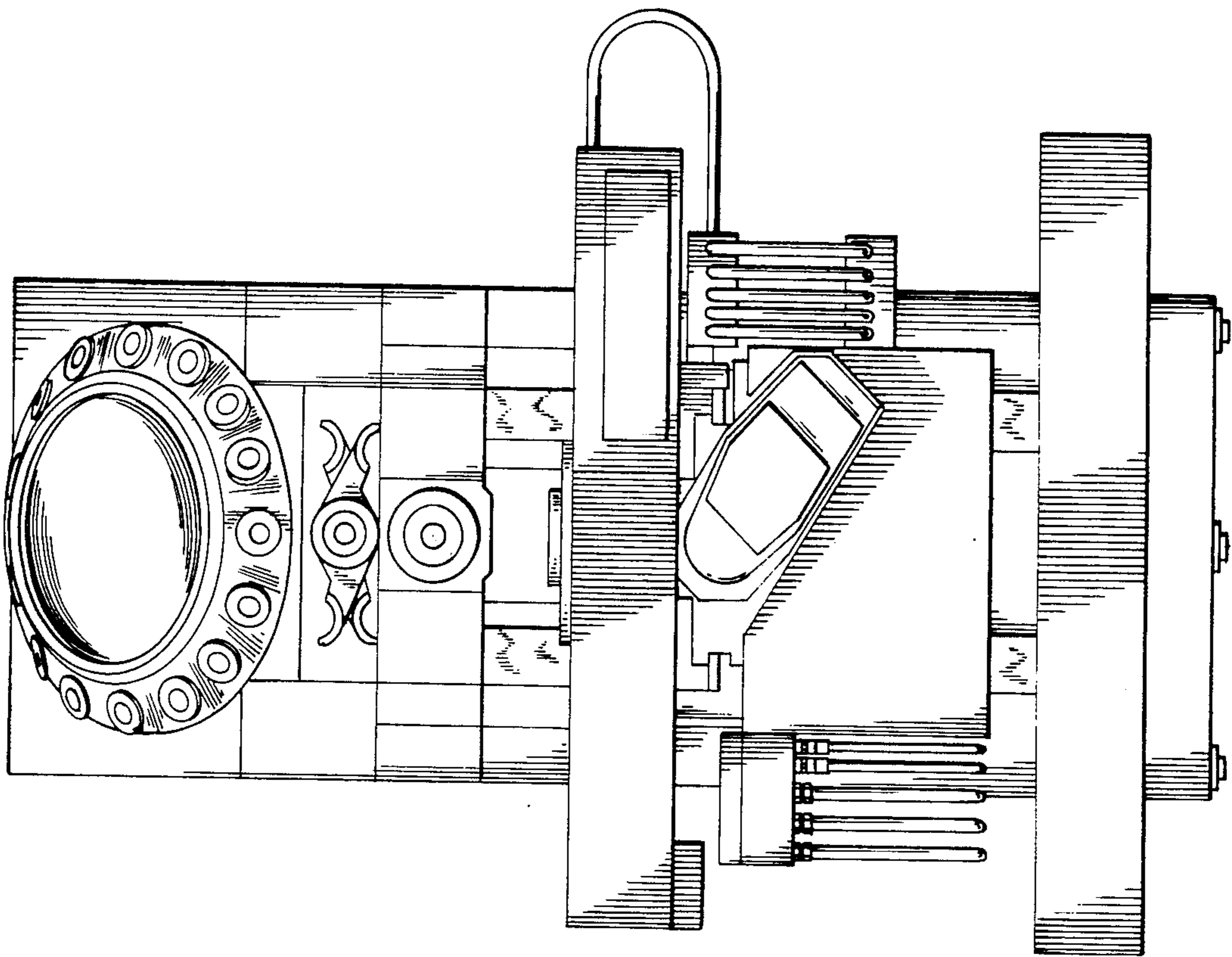


Fig. 2

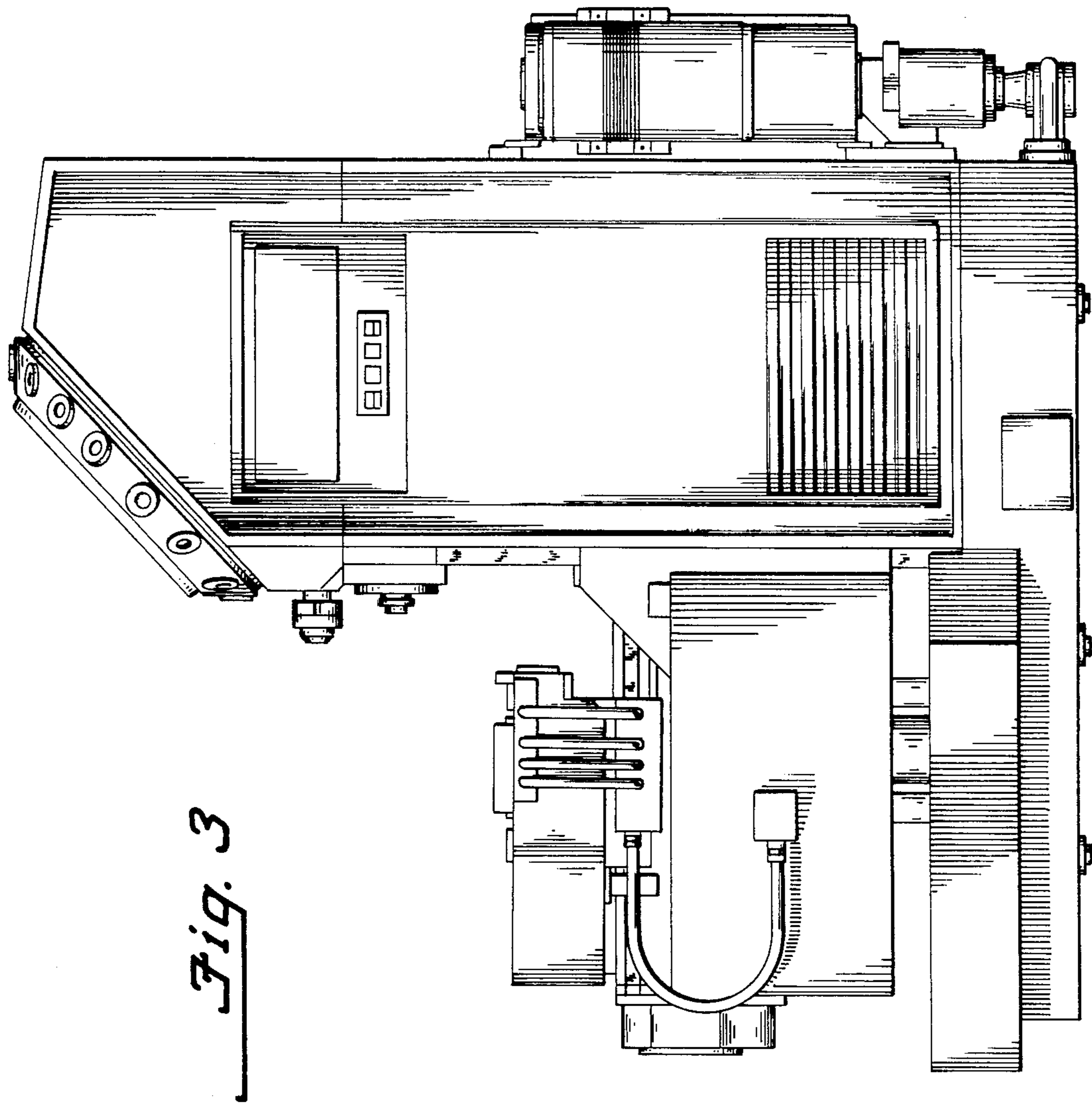
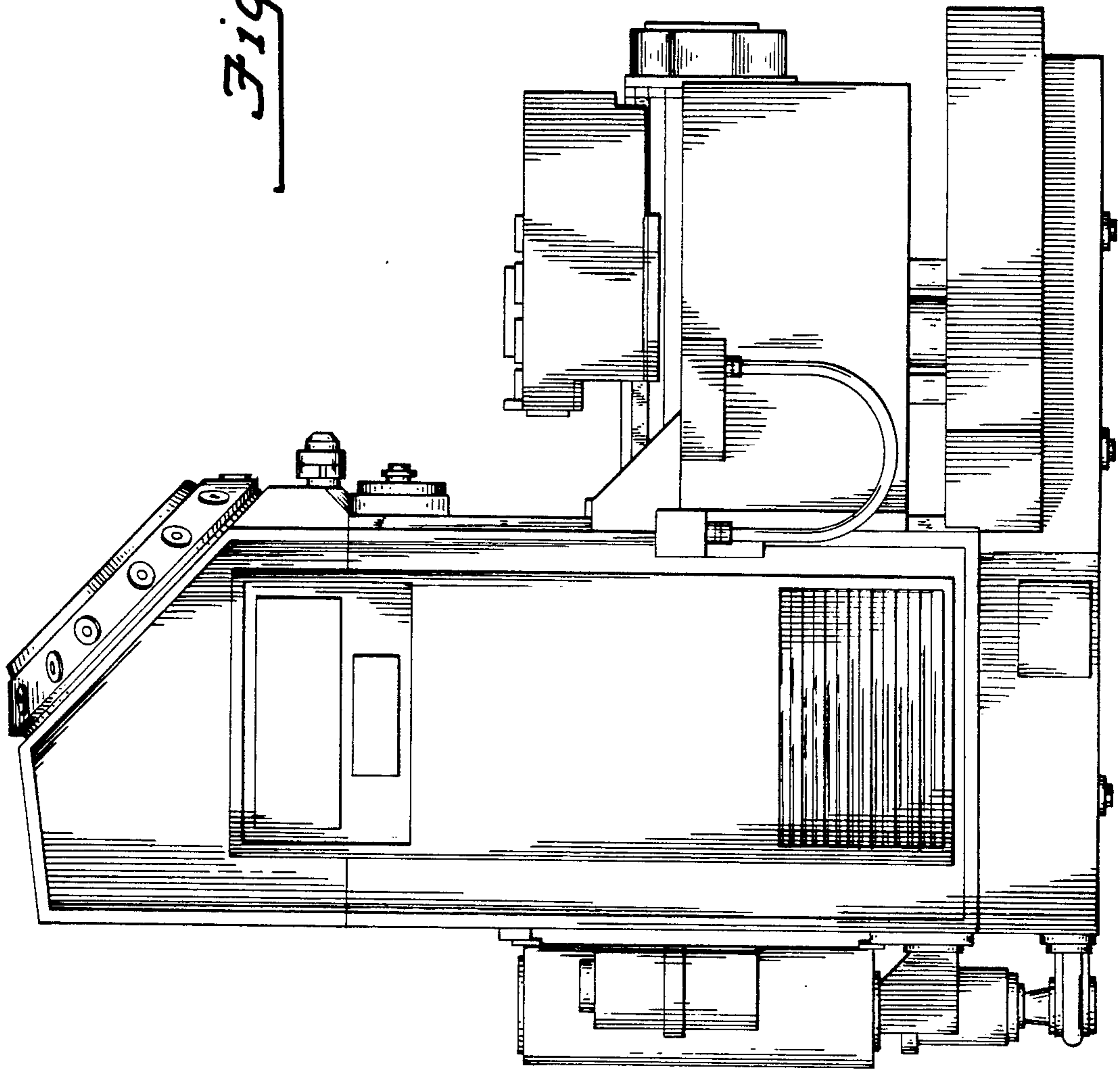


Fig. 3

Fig. 4



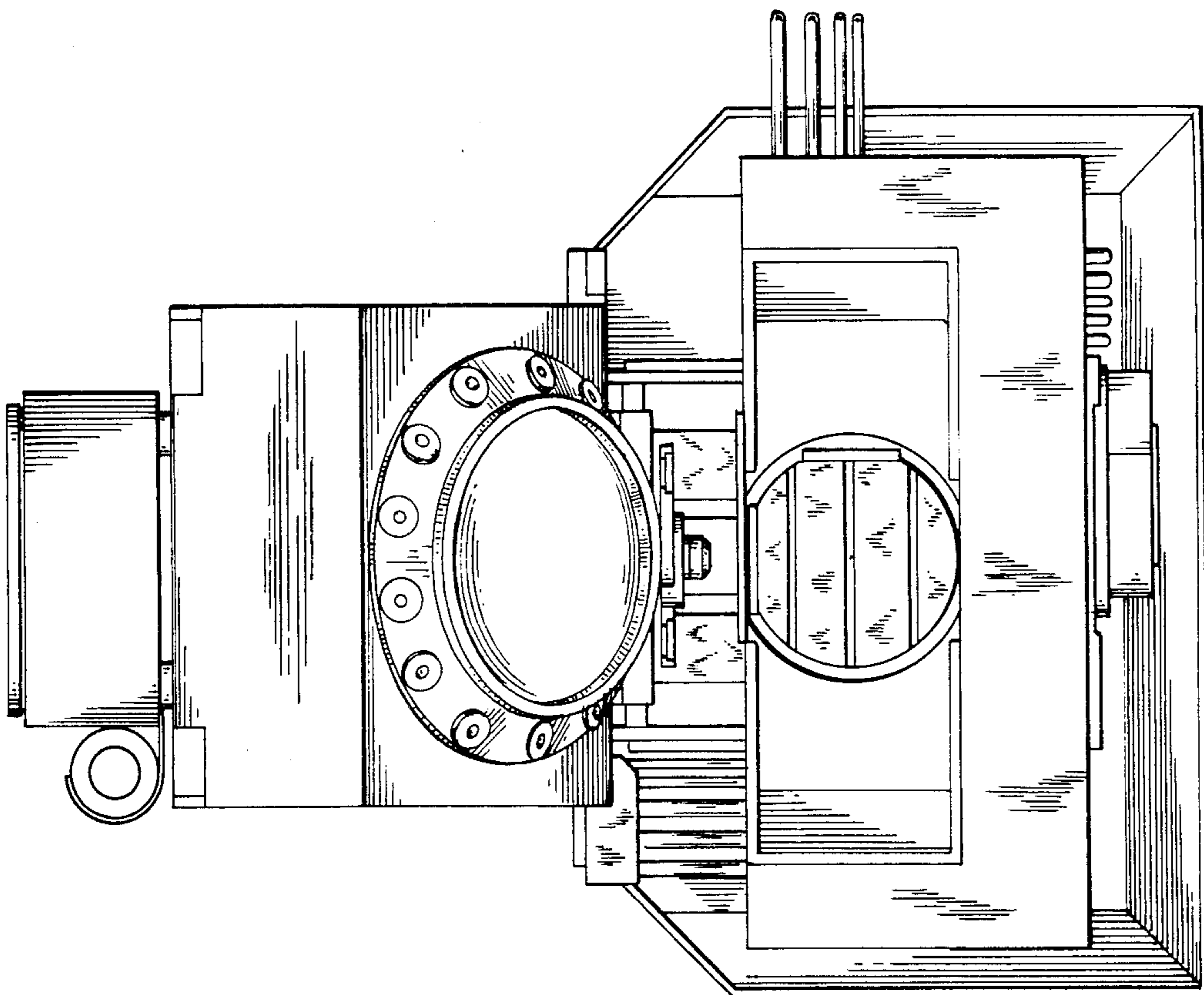


Fig. 5