

[54] FOOD WARMER

[75] Inventors: Robert D. Bessier, Prarie Village;  
Neil F. Hook, Mission, both of Kans.

[73] Assignee: Manley, Inc., Kansas City, Mo.

[\*\*] Term: 14 Years

[21] Appl. No.: 683,707

[22] Filed: May 6, 1976

[52] U.S. Cl. .... D15/104

[51] Int. Cl. .... D15-08

[58] Field of Search ..... D15/92, 104; D48/20 E;  
219/200, 214, 339, 342, 347, 349, 352, 354,  
385; 99/401, 407

[56]

References Cited

U.S. PATENT DOCUMENTS

3,586,823	6/1971	Schier .....	219/347
D. 181,526	11/1957	Fitzgerald .....	D15/104
D. 230,072	1/1974	Chaudoir .....	D15/104

Primary Examiner—Wallace R. Burke

Assistant Examiner—Catherine Kemper

[57]

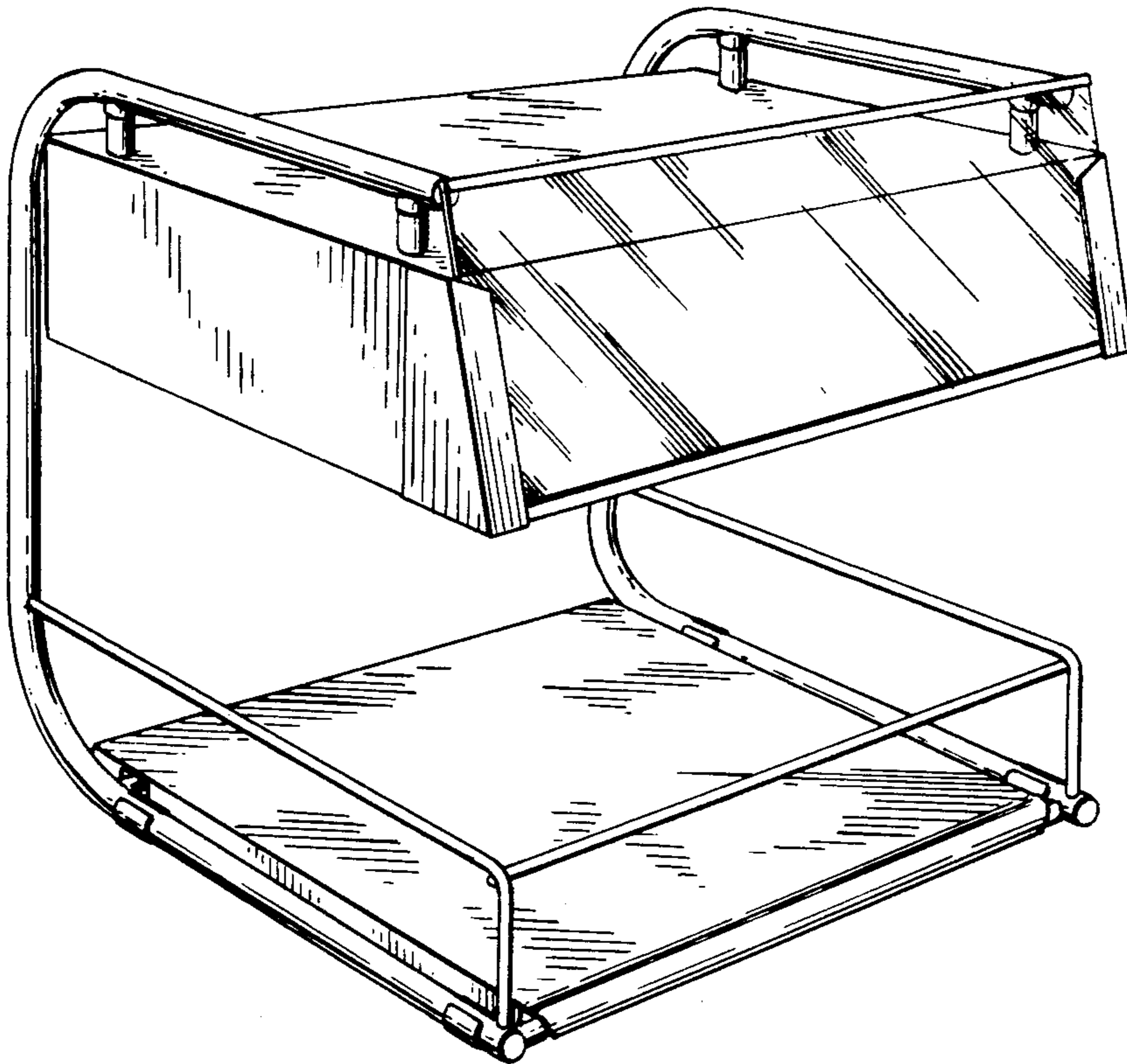
CLAIM

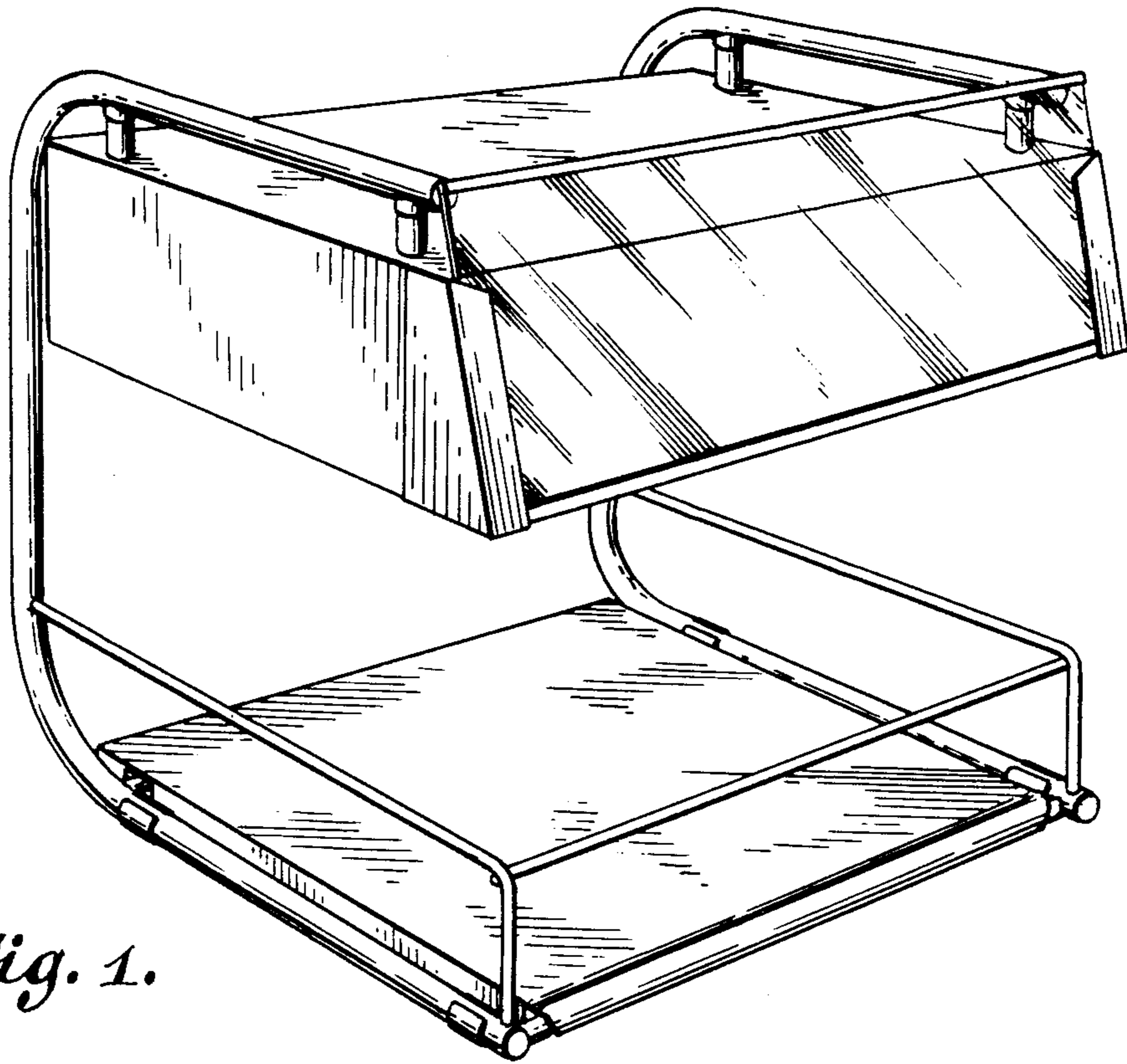
The ornamental design for a food warmer, as shown.

DESCRIPTION

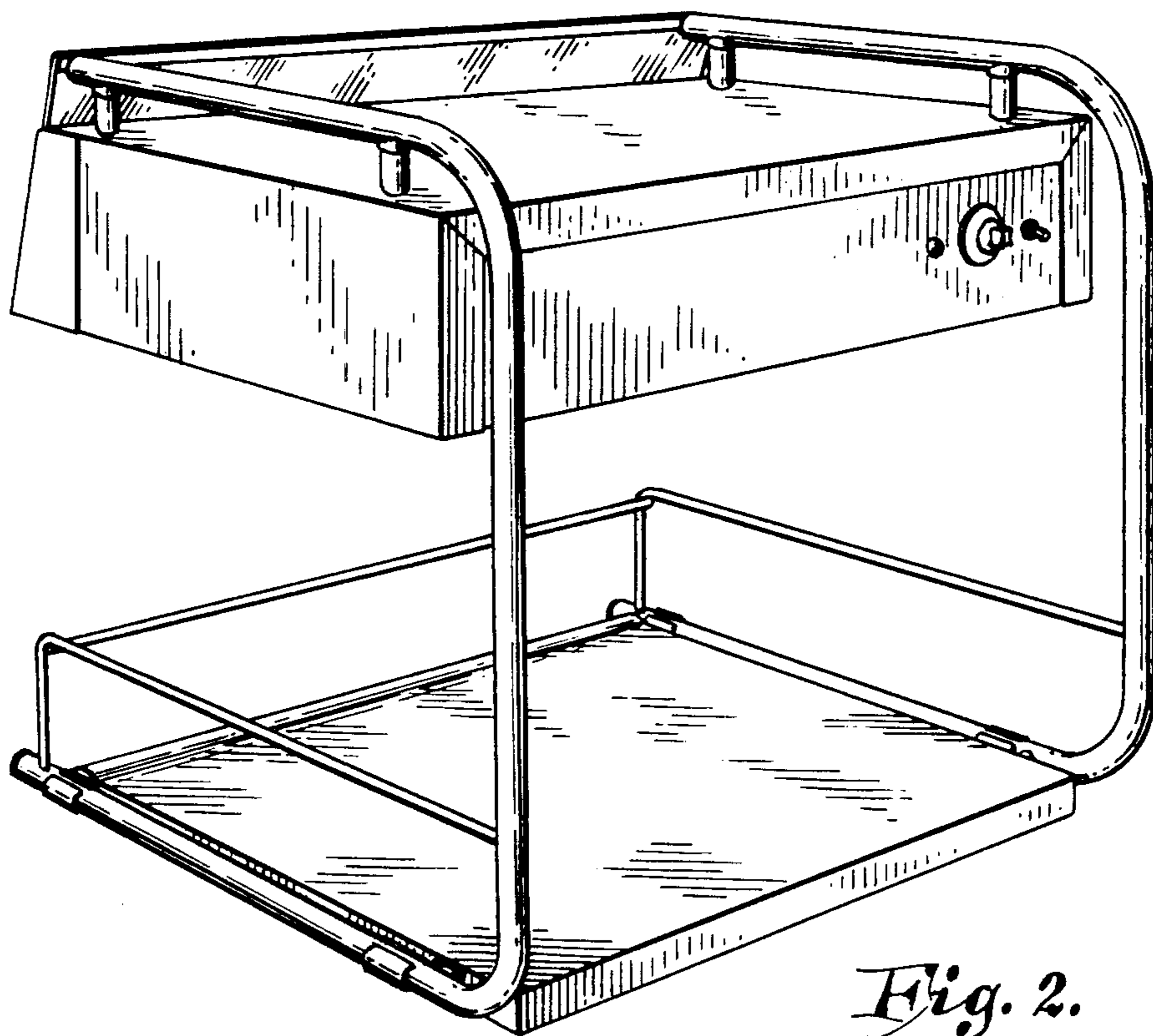
FIG. 1 is a front perspective view of a food warmer showing our present design and illustrating one side thereof;

FIG. 2 is a rear perspective view thereof showing the opposite side of the food warmer.





*Fig. 1.*



*Fig. 2.*