

[54] FORK LIFT TRUCK

[76] Inventors: **Ellis R. Carr**, 5561 Yuba Ave.;  
**Joseph I. Magers**, 14861 Givens  
Place, both of Westminster, Calif.  
92683

[\*\*] Term: 14 Years

[21] Appl. No.: 660,479

[22] Filed: Feb. 23, 1976

[51] Int. Cl. .... D12-05  
[52] U.S. Cl. .... D12/57  
[58] Field of Search ..... D12/57; 187/9 R, 9 E;  
214/651, 315, 75 R, 142, 670, 672; 180/89 R;  
296/28 R

[56]

References Cited

U.S. PATENT DOCUMENTS

2,114,156 4/1938 Towson ..... D12/57  
D. 217,598 5/1970 Satterfield ..... D12/57

OTHER PUBLICATIONS

Modern Materials Handling, 9/74, p. 20, Clark Lift  
Truck, center left side of page.

Primary Examiner—Wallace R. Burke  
Assistant Examiner—James M. Gandy  
Attorney, Agent, or Firm—Harvey C. Nienow

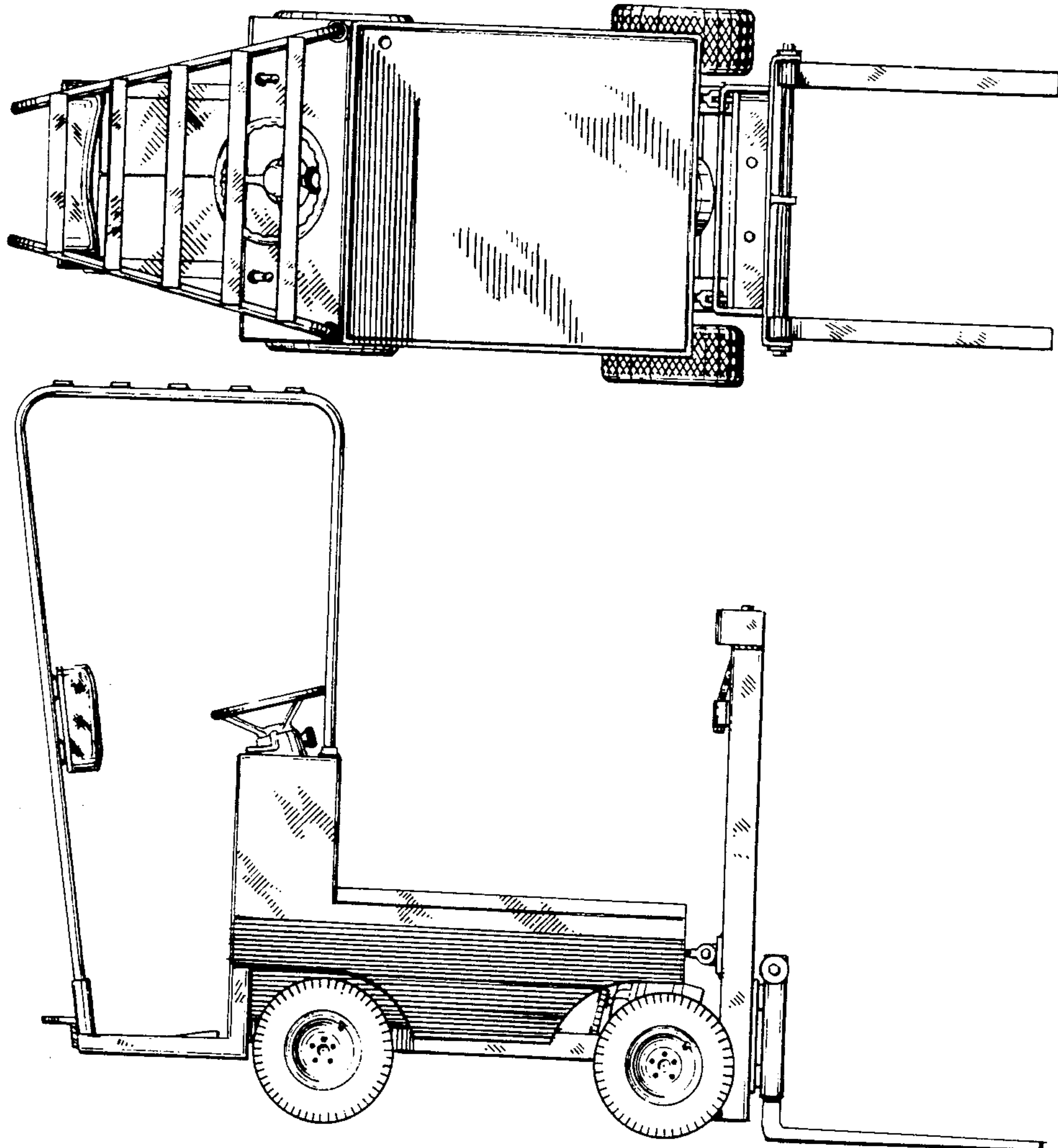
[57]

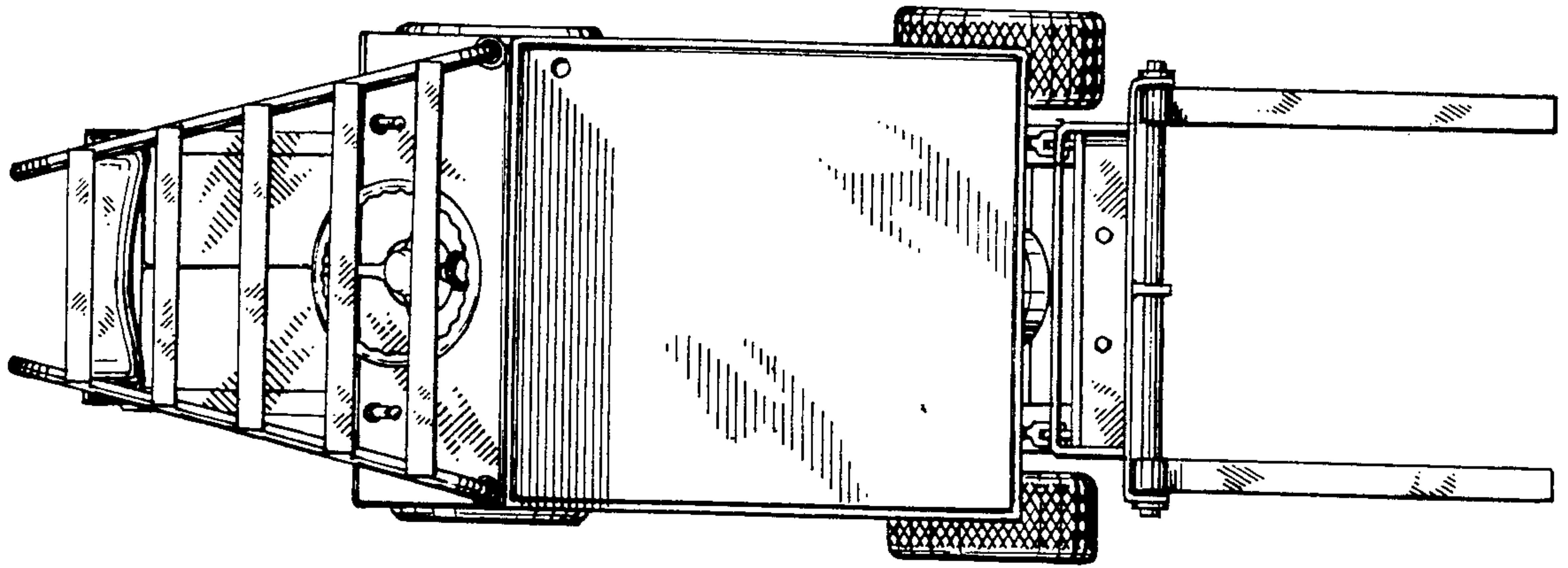
CLAIM

The ornamental design for a fork lift truck, as shown.

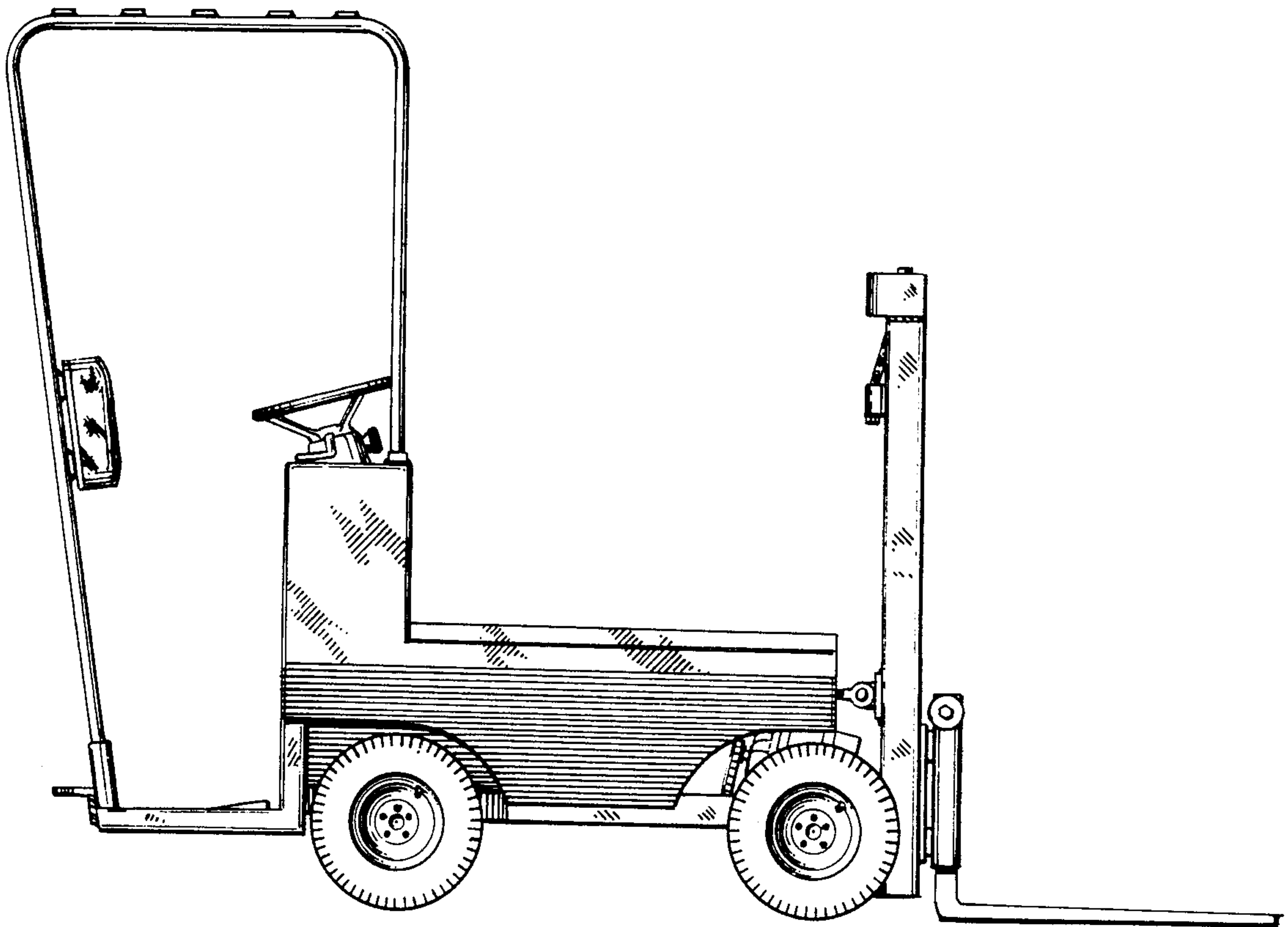
DESCRIPTION

FIG. 1 is a top plan view of our new fork lift truck;  
FIG. 2 is a side elevational view thereof, the other side  
being identical thereto;  
FIG. 3 is a bottom plan view thereof;  
FIG. 4 is a rear end elevational view thereof; and  
FIG. 5 is a front end elevational view thereof.





*FIG. 1*



*FIG. 2*

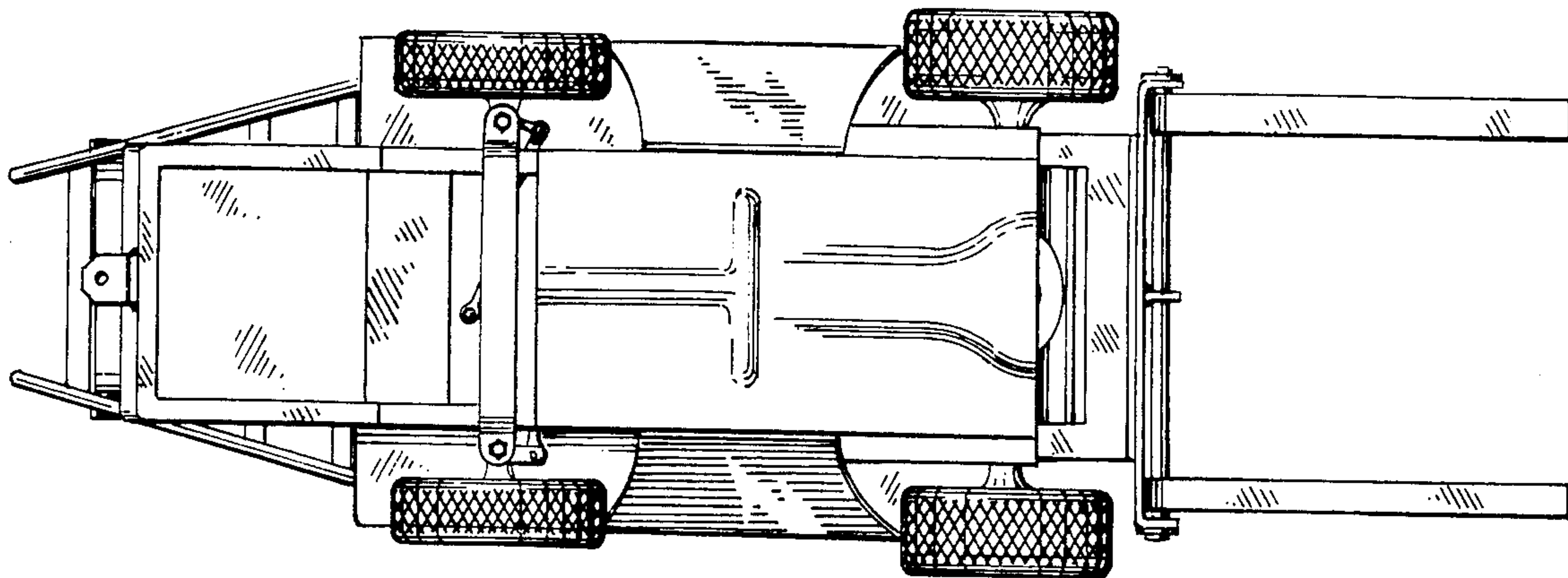


FIG. 3

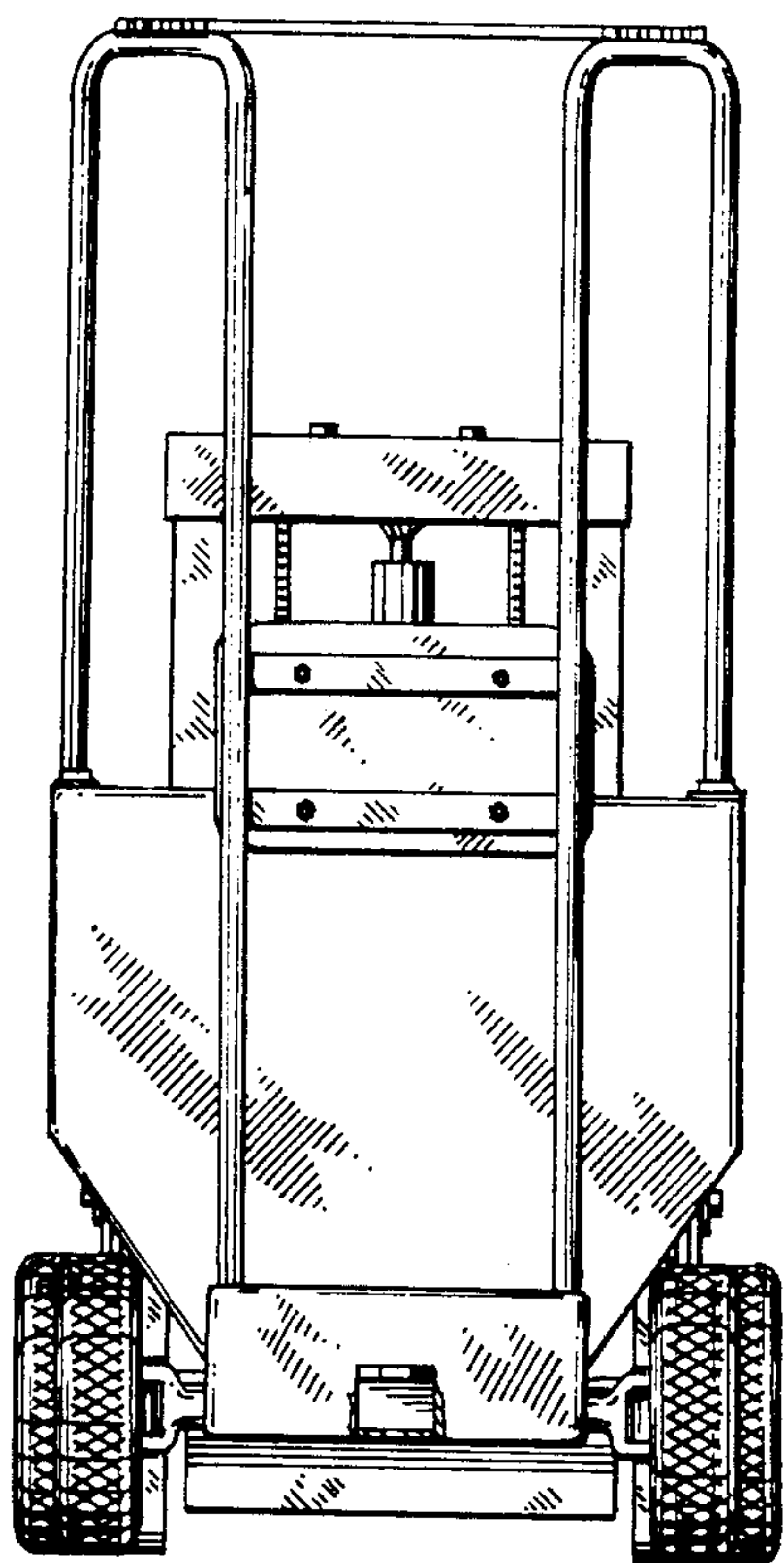


FIG. 4

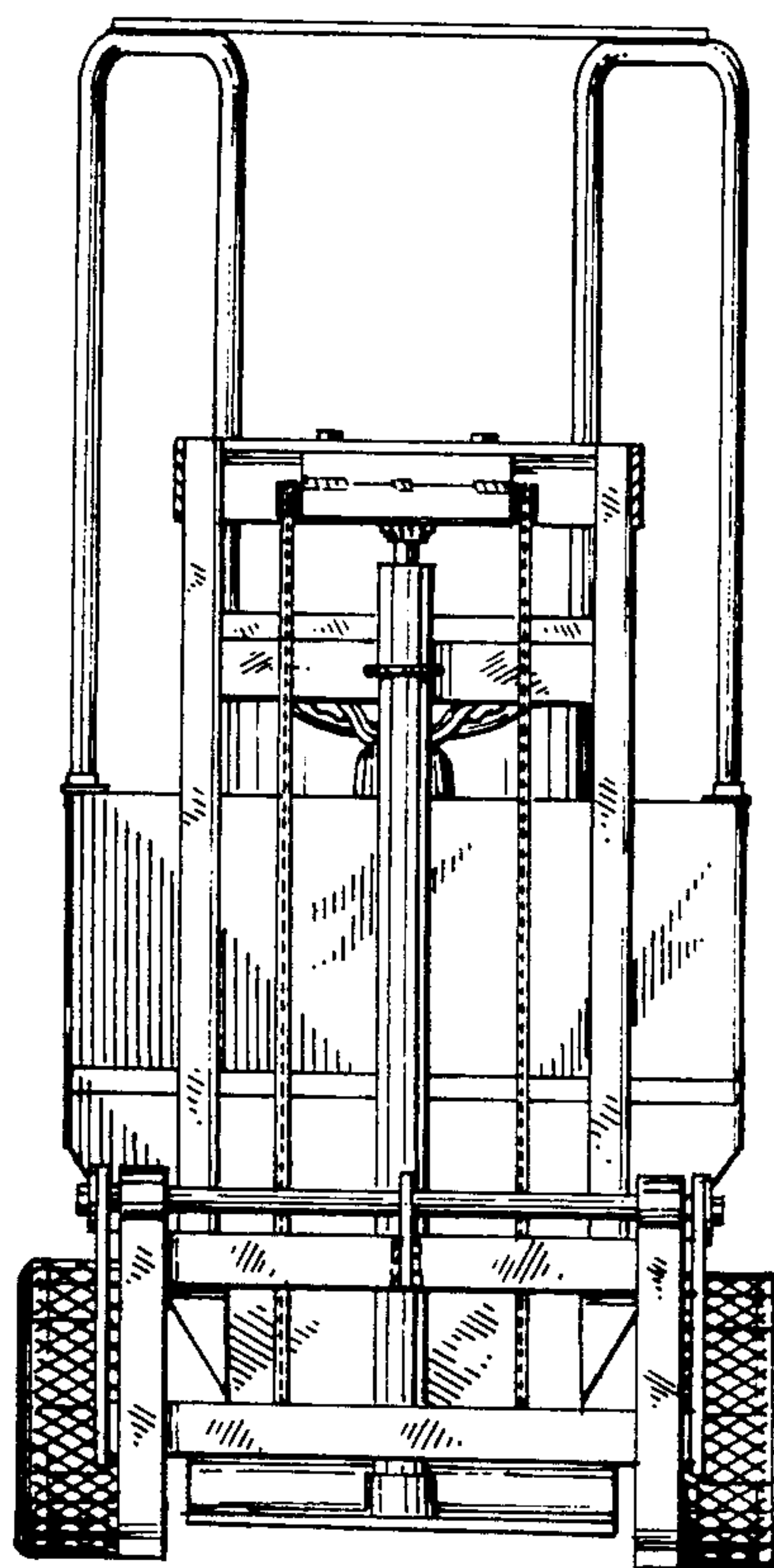


FIG. 5