

[54] SELF-PROPELLED WHEELBARROW

[76] Inventor: Louis Samuels, 11808 Osceola Ave., Cleveland, Ohio 44108

[**] Term: 14 Years

[21] Appl. No.: 650,177

[22] Filed: Jan. 19, 1976

[51] Int. Cl. D12-02

[52] U.S. Cl. D12/24

[58] Field of Search D12/24, 85, 26; 280/47.31; 180/25 R, 27; 298/2

[56] References Cited

U.S. PATENT DOCUMENTS

- 2,770,491 11/1956 Perko D12/24 UX
- 2,918,133 12/1959 Ericsson 298/2
- 3,323,837 6/1967 Landry 298/2

OTHER PUBLICATIONS

Furnco Power-Barrow Brochure, Rec'd. 3/10/67, Wheelbarrow, front cover.

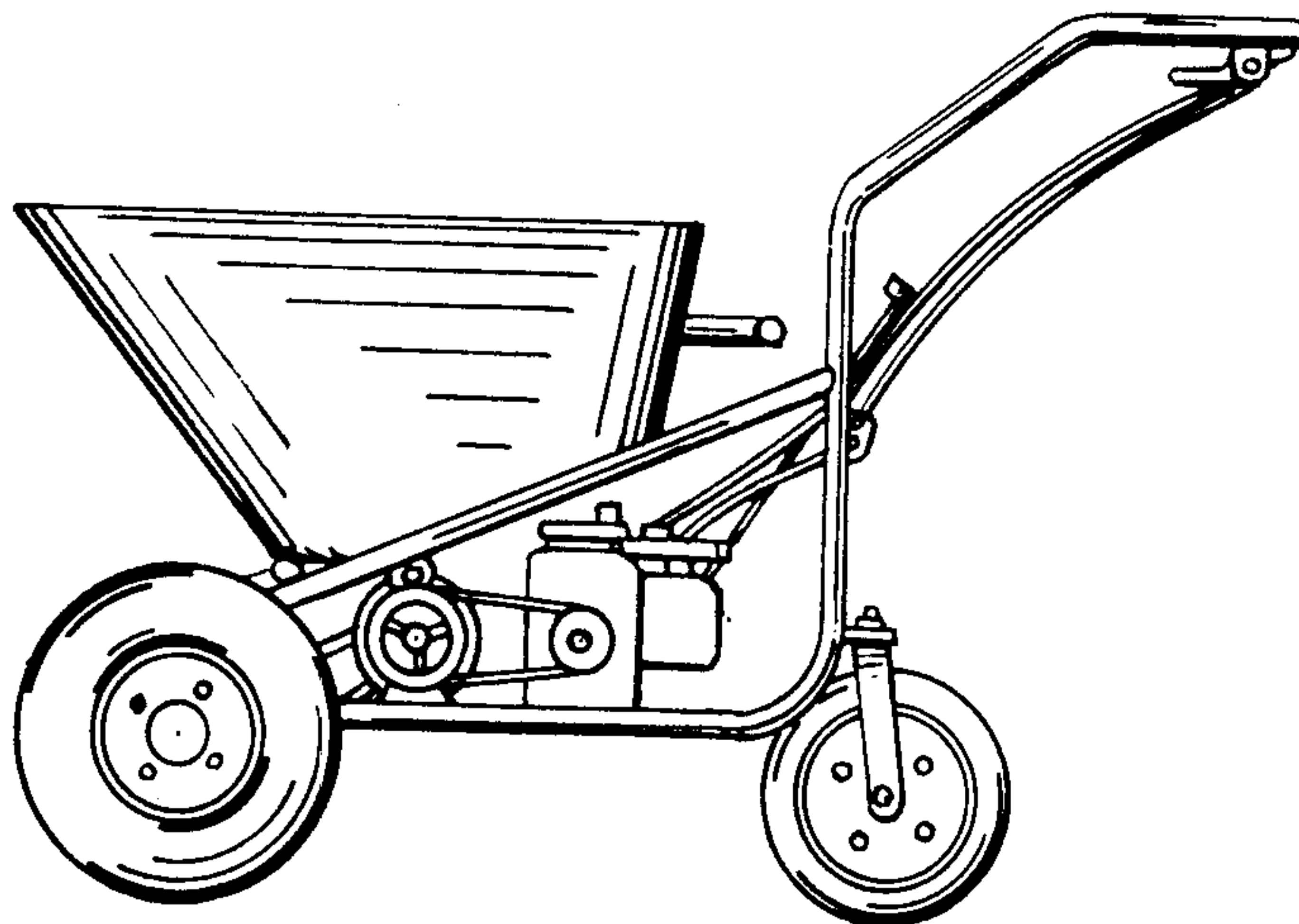
Primary Examiner—Wallace R. Burke
Assistant Examiner—James M. Gandy
Attorney, Agent, or Firm—George S. Baldwin

[57] CLAIM

The ornamental design for a self propelled wheelbarrow, substantially as shown and described.

DESCRIPTION

FIG. 1 is a side elevational view of a self propelled wheelbarrow showing my new design, the opposite side being substantially a mirror image thereof; FIG. 2 is a front elevational view thereof; FIG. 3 is a rear elevational view thereof; FIG. 4 is a top plan view, and FIG. 5 is a bottom plan view thereof; FIG. 6 is a side elevational view of a self propelled wheelbarrow showing a second embodiment of my new design, the opposite side being substantially a mirror image thereof; FIG. 7 is a front elevational view of FIG. 6; FIG. 8 is a rear elevational view of FIG. 6; FIG. 9 is a top plan view, of FIG. 6 and FIG. 10 is a bottom plan view of FIG. 6.



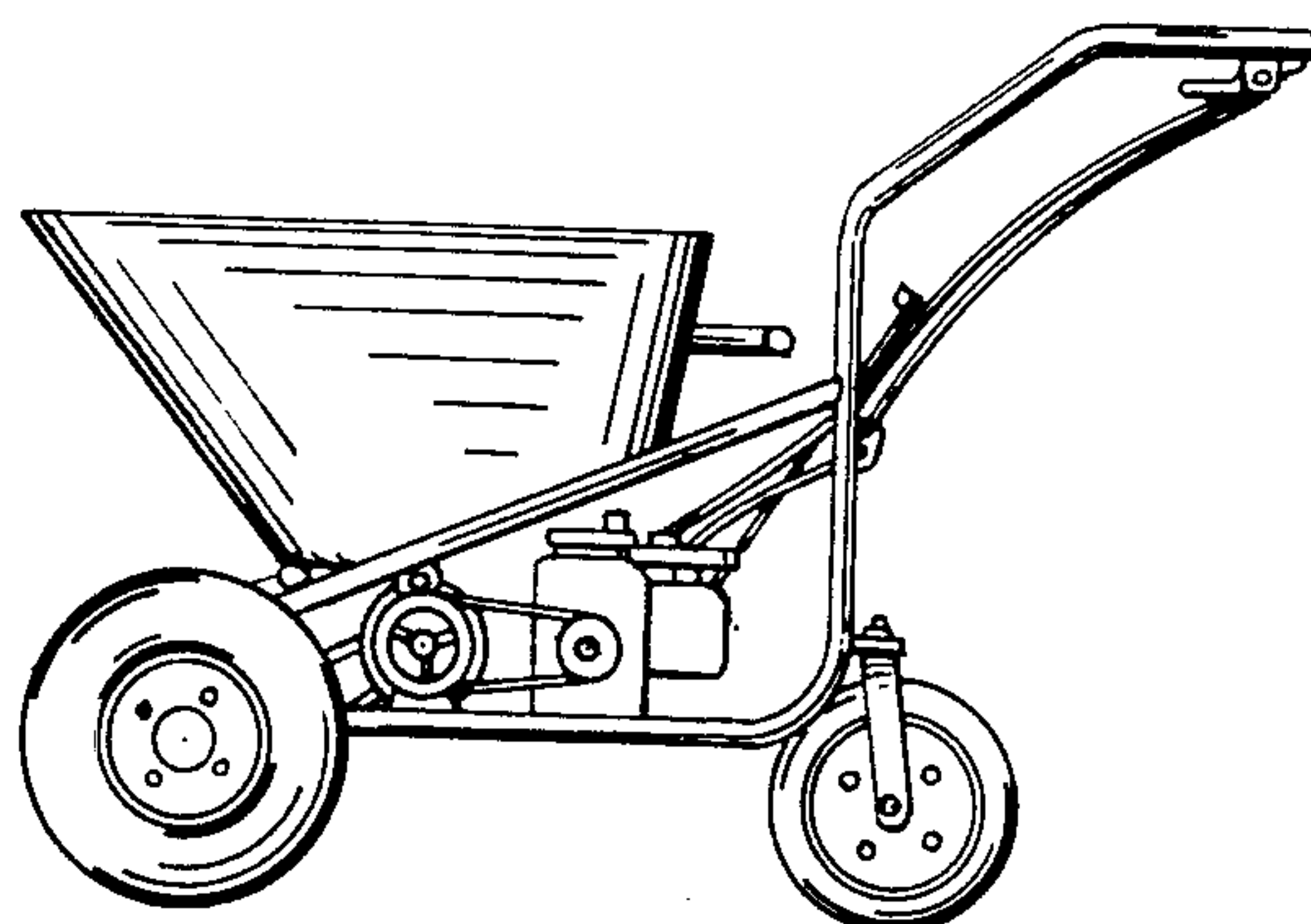


FIG. 1

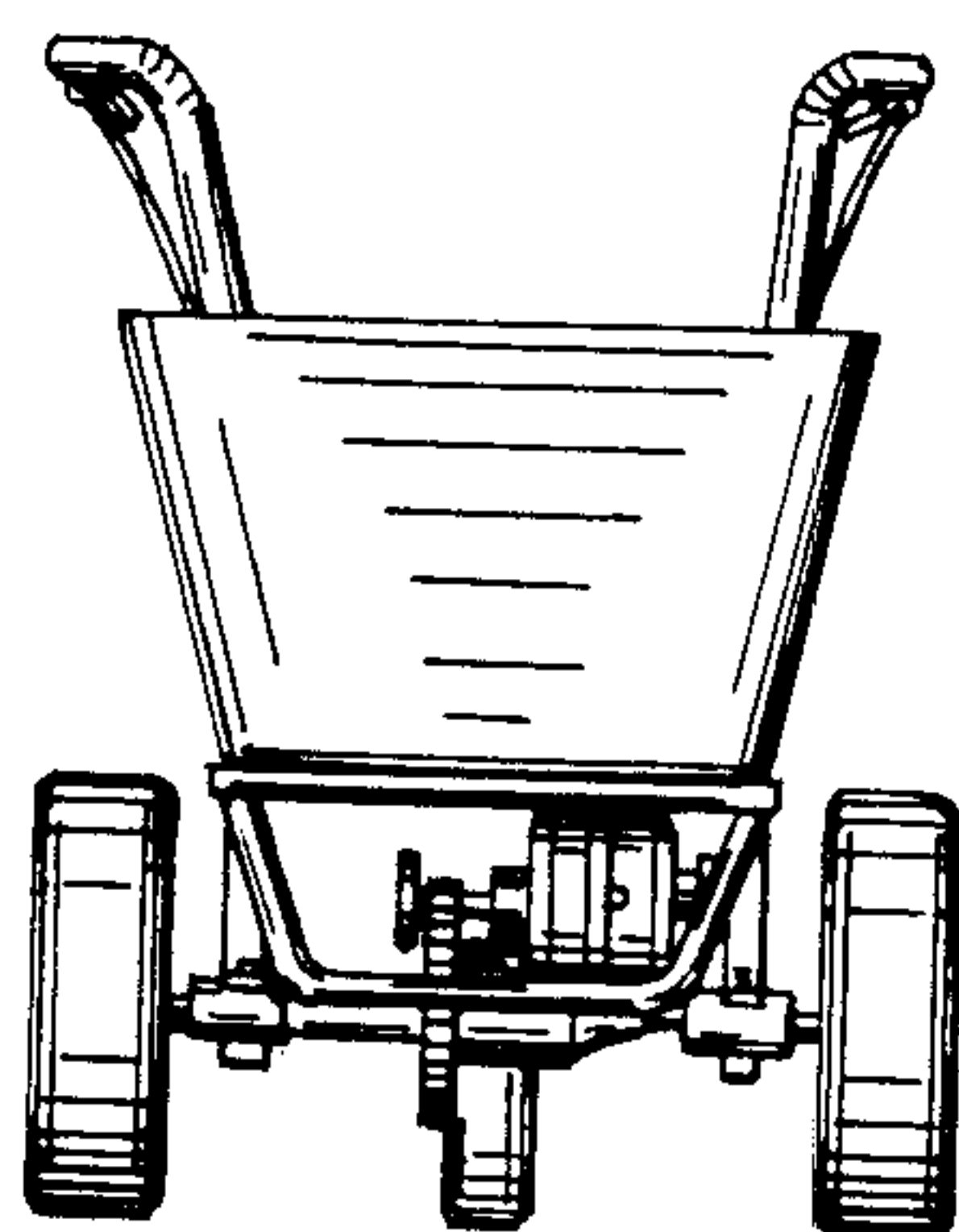


FIG. 2

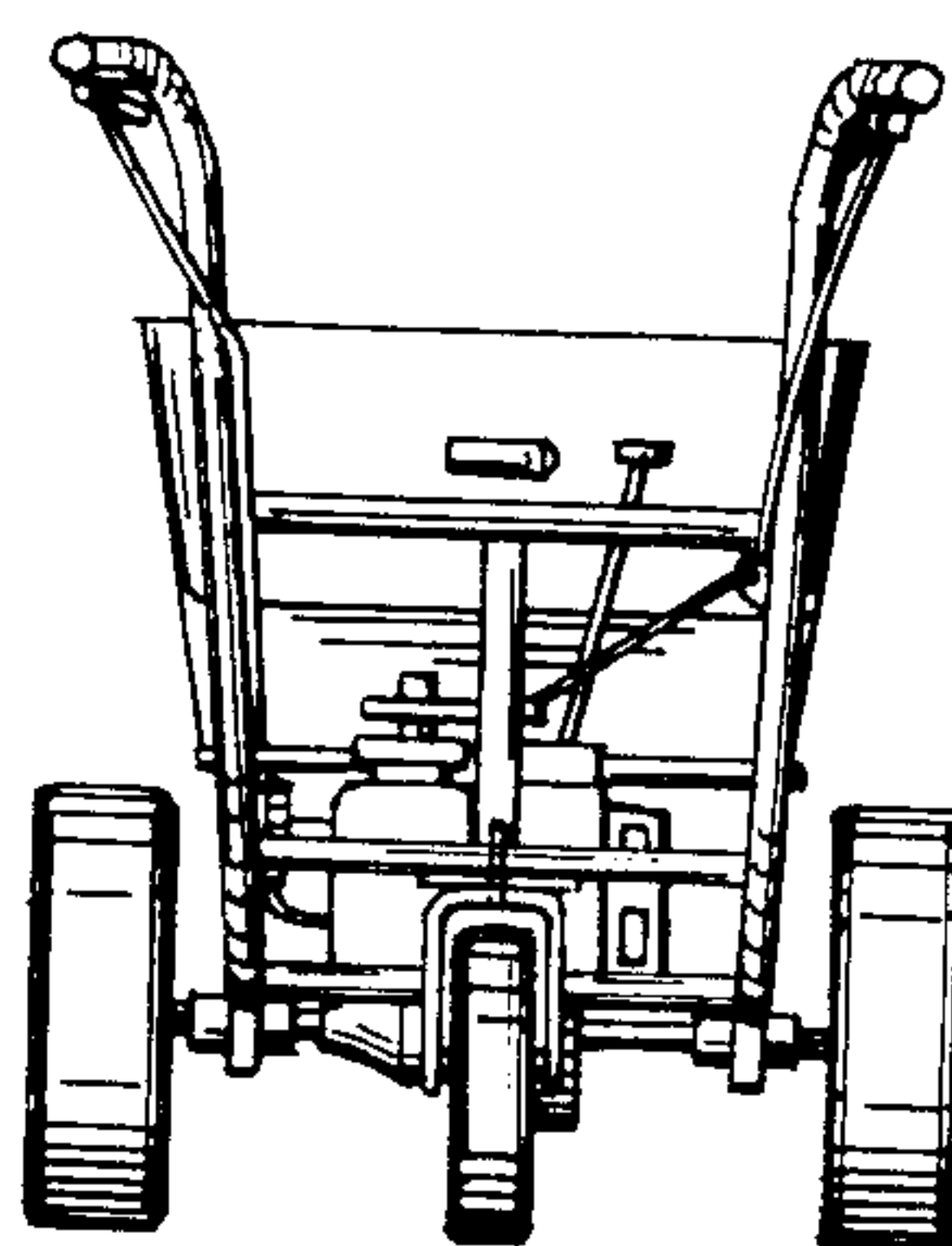


FIG. 3

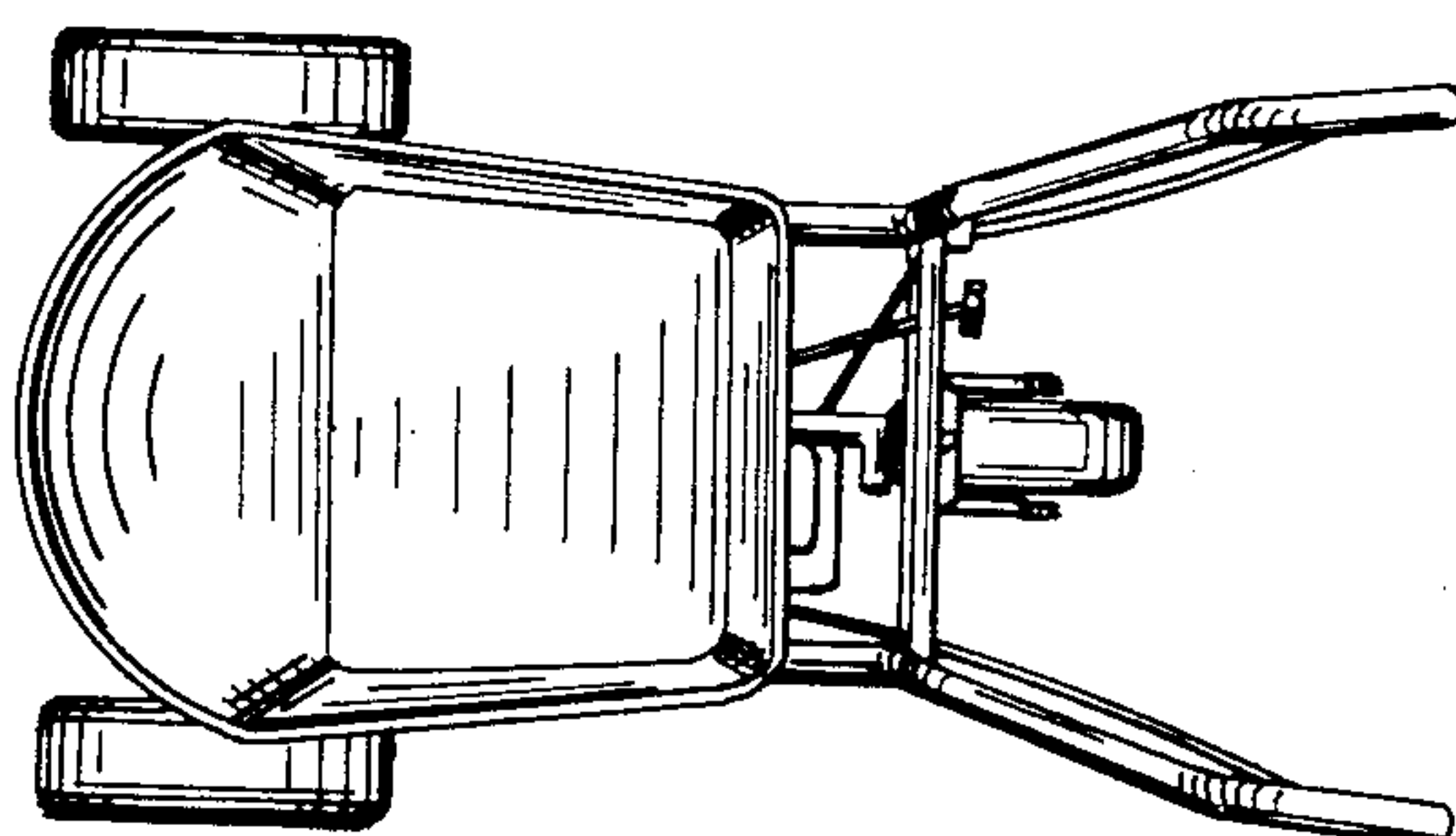


FIG. 4

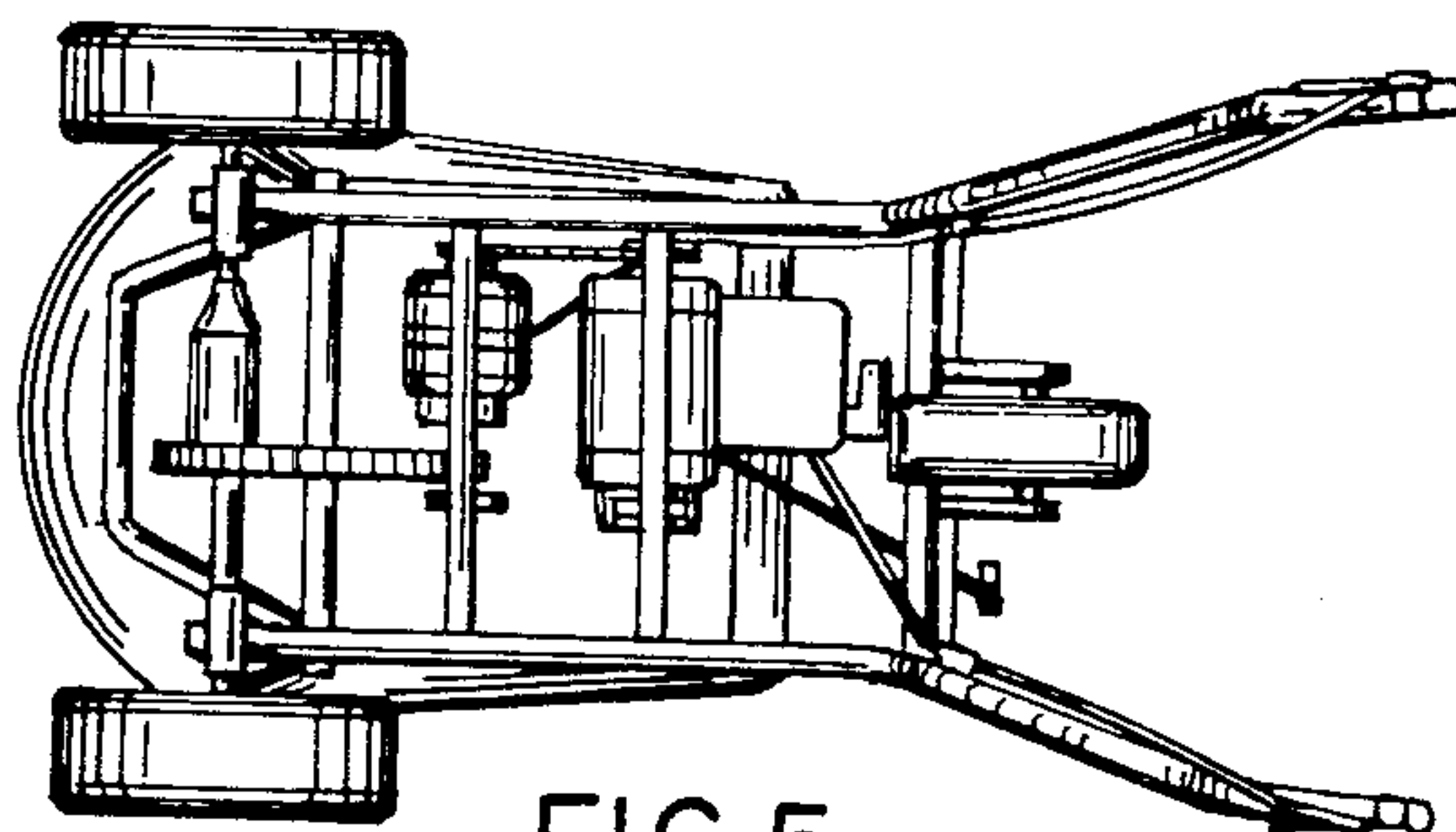


FIG. 5

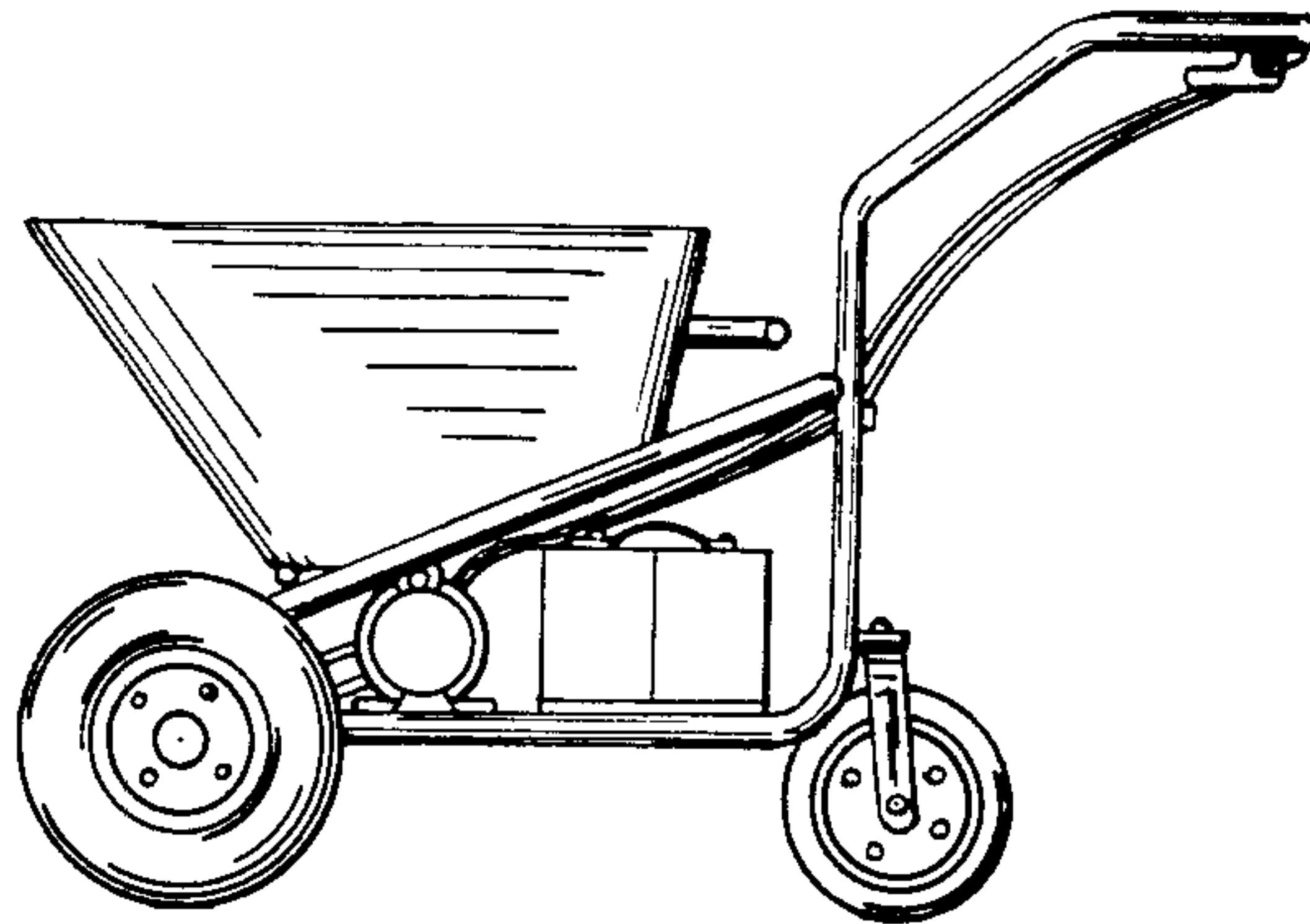


FIG. 6

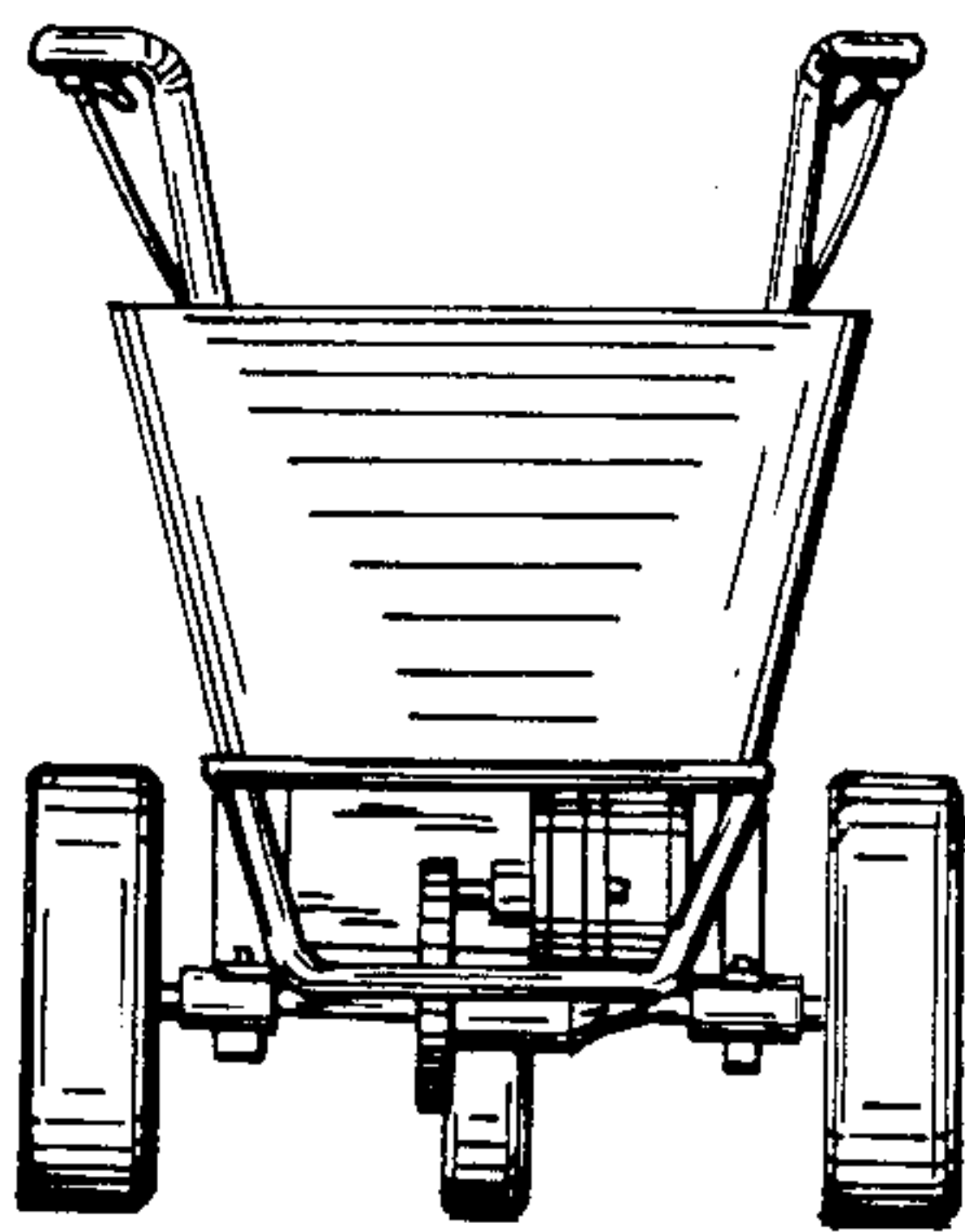


FIG. 7

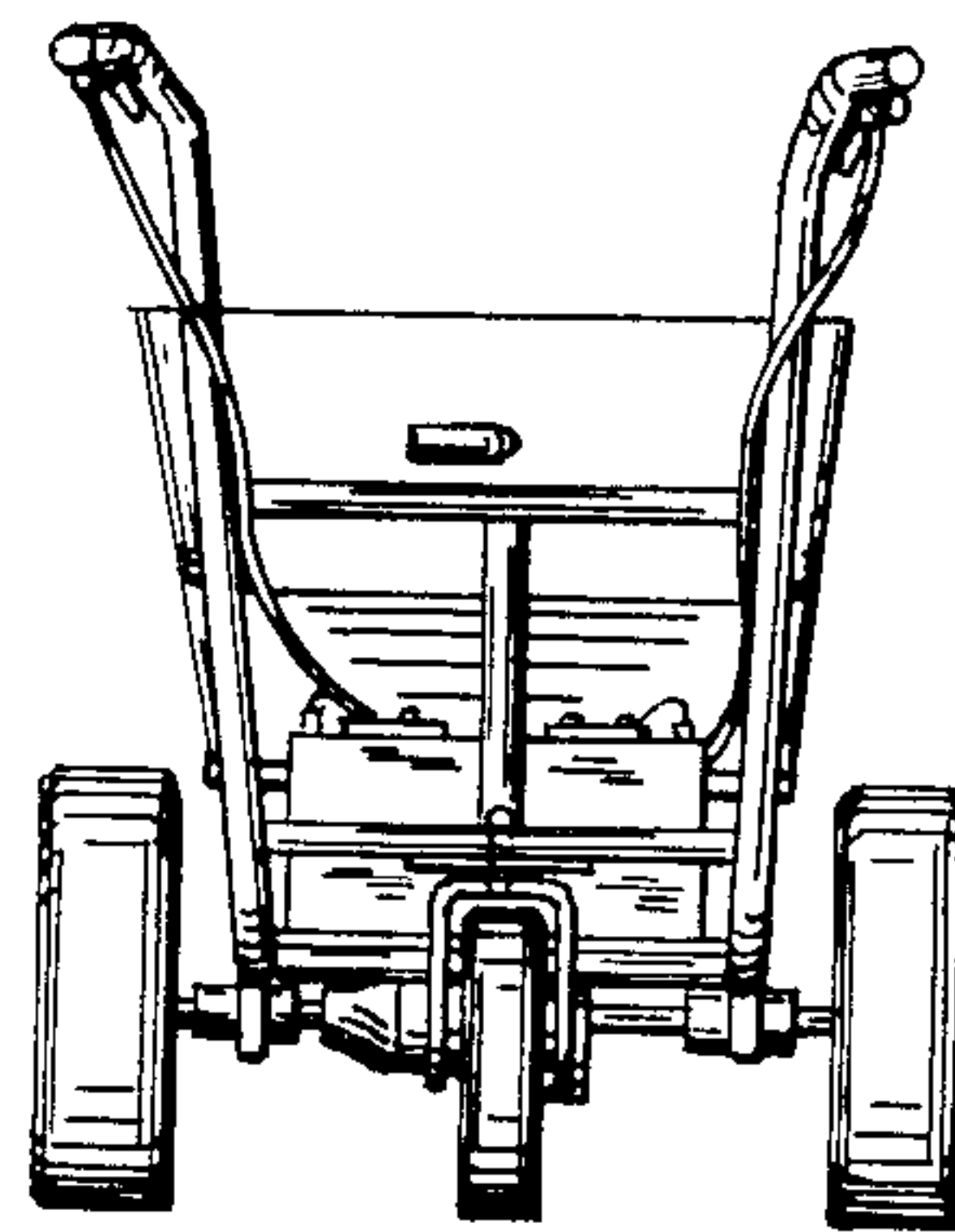


FIG. 8

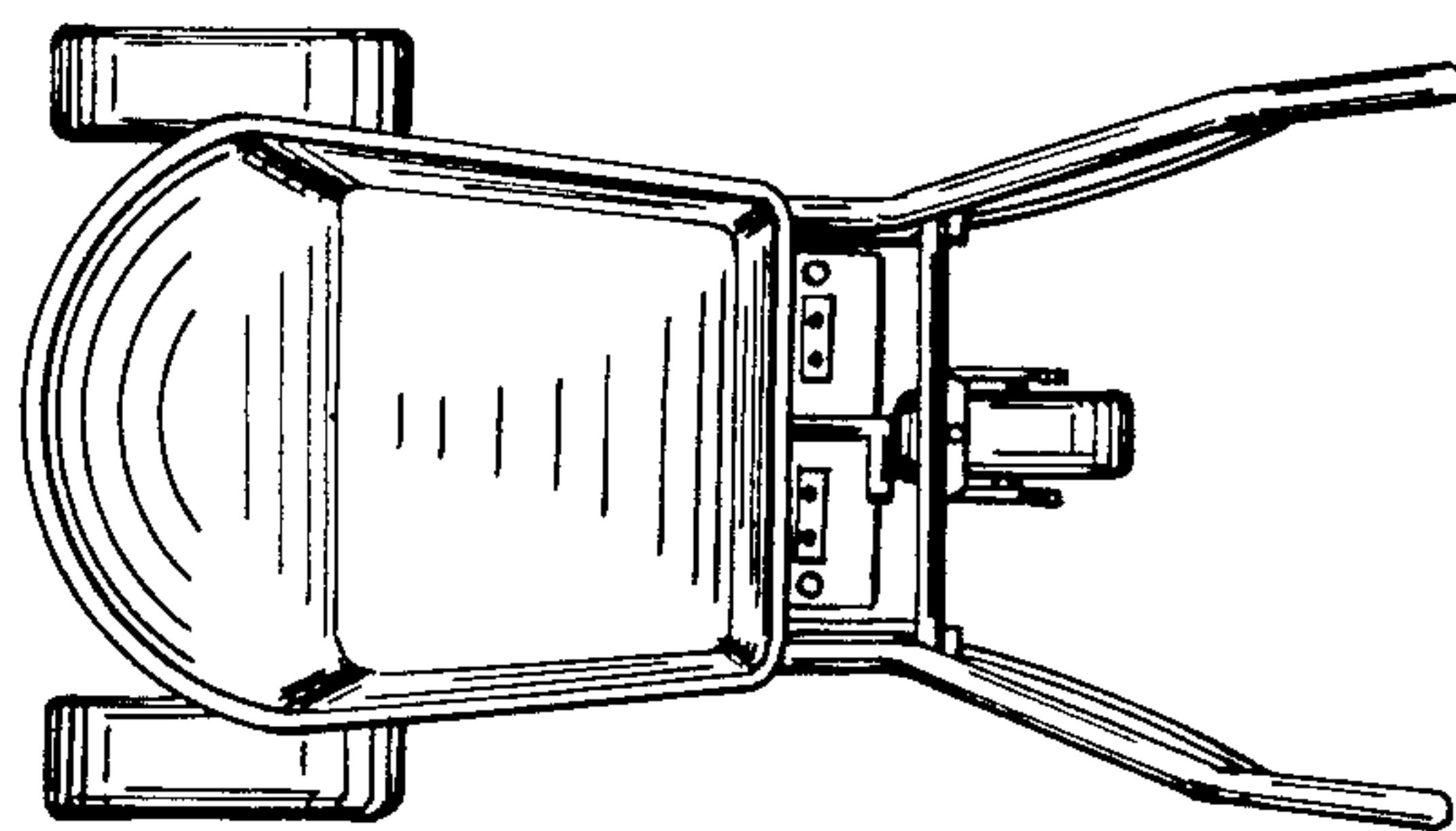


FIG. 9

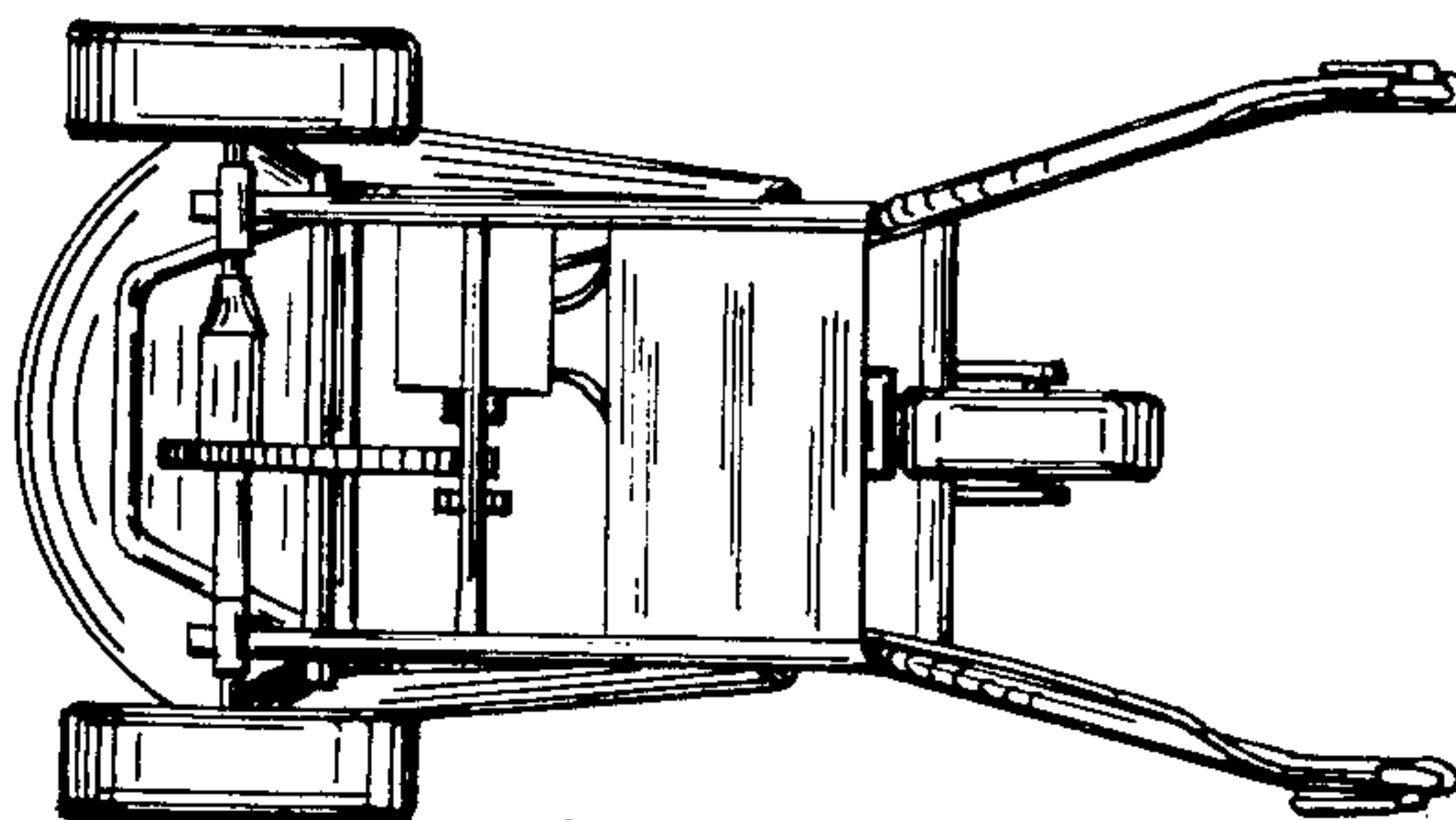


FIG. 10