

[54] BOTTLE

[75] Inventors: Warren J. Schieser; Stanley E. Vickers, both of Columbus, Ohio

[73] Assignee: Corco, Inc., Worthington, Ohio

[**] Term: 14 Years

[21] Appl. No.: 624,740

[22] Filed: Oct. 23, 1975

[51] Int. Cl. D9-01

[52] U.S. Cl. D9/73

[58] Field of Search D9/58, 66, 59, 72, 73, D9/80, 81, 83, 119, 124, 127, 128, 170, 175

[56] References Cited

U.S. PATENT DOCUMENTS

| | | | | |
|-----------|---------|------------|-------|---------|
| 3,323,668 | 6/1967 | Hills | | D9/59 X |
| D. 24,956 | 12/1895 | Dawes | | D9/58 |
| D. 99,819 | 5/1936 | McLaughlin | | D9/66 |

| | | | | |
|------------|---------|----------------|-------|--------|
| D. 111,959 | 11/1938 | Deible | | D9/119 |
| D. 209,631 | 12/1967 | Schaper et al. | | D9/170 |

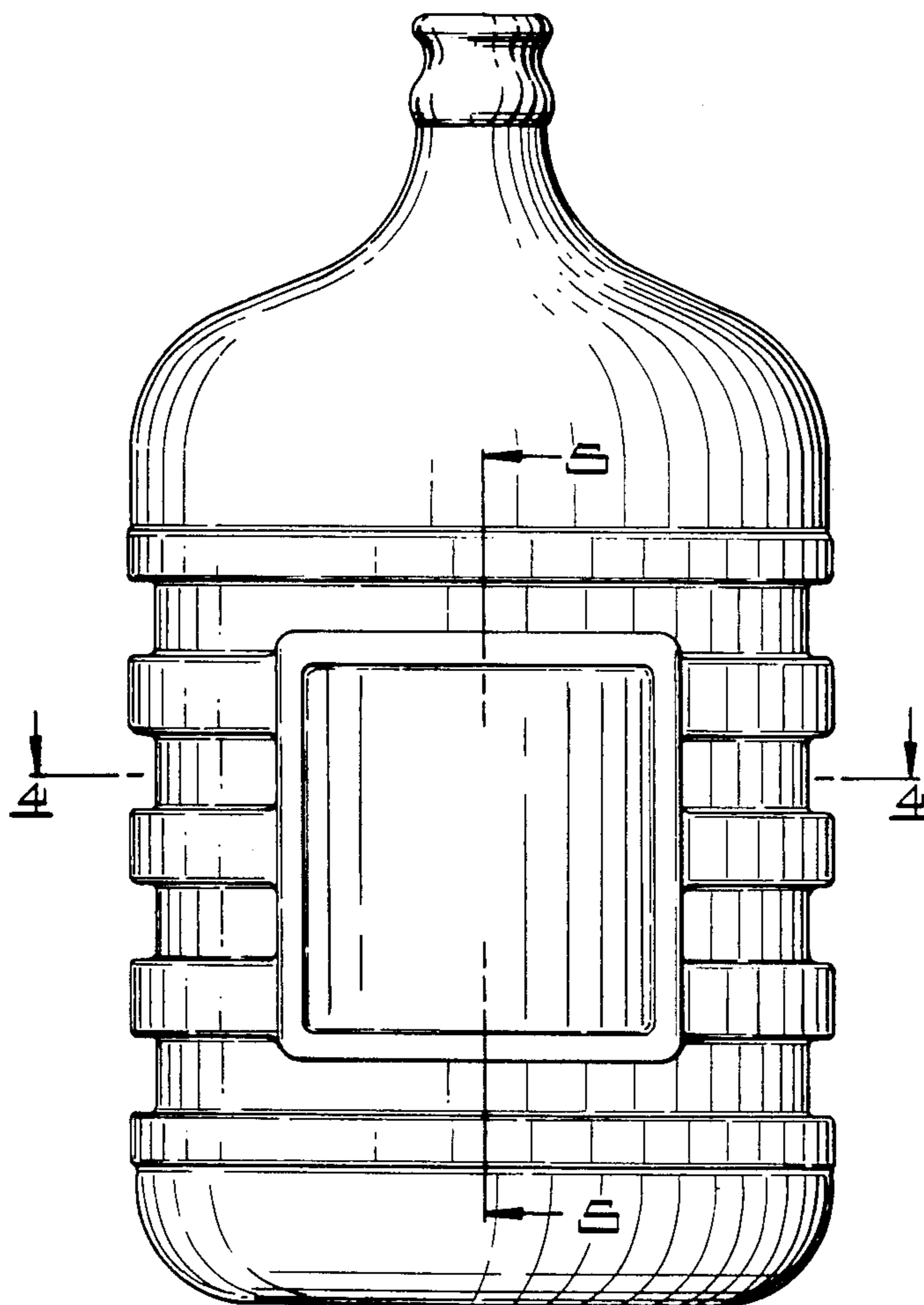
Primary Examiner—Robert C. Spangler
Attorney, Agent, or Firm—William V. Miller

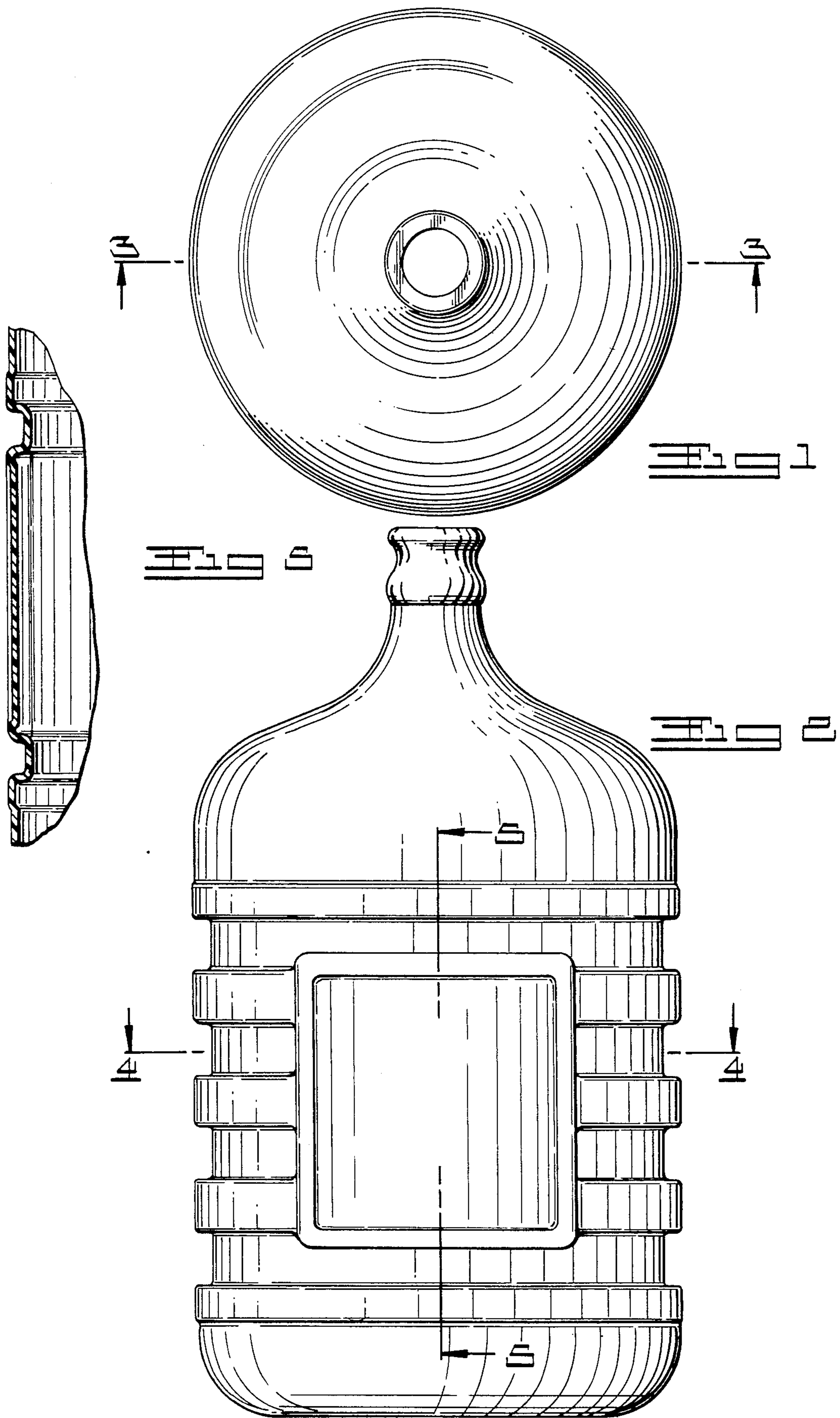
[57] CLAIM

The ornamental design for a bottle, substantially as shown.

DESCRIPTION

FIG. 1 is a plan view of a bottle embodying our new design;
FIG. 2 is a front elevational view;
FIG. 3 is a vertical sectional view taken along line 3—3 of FIG. 1;
FIG. 4 is a horizontal sectional view taken along line 4—4 of FIG. 2;
FIG. 5 is a fragmentary vertical sectional view taken along line 5—5 of FIG. 2; and
FIG. 6 is a rear elevational view.





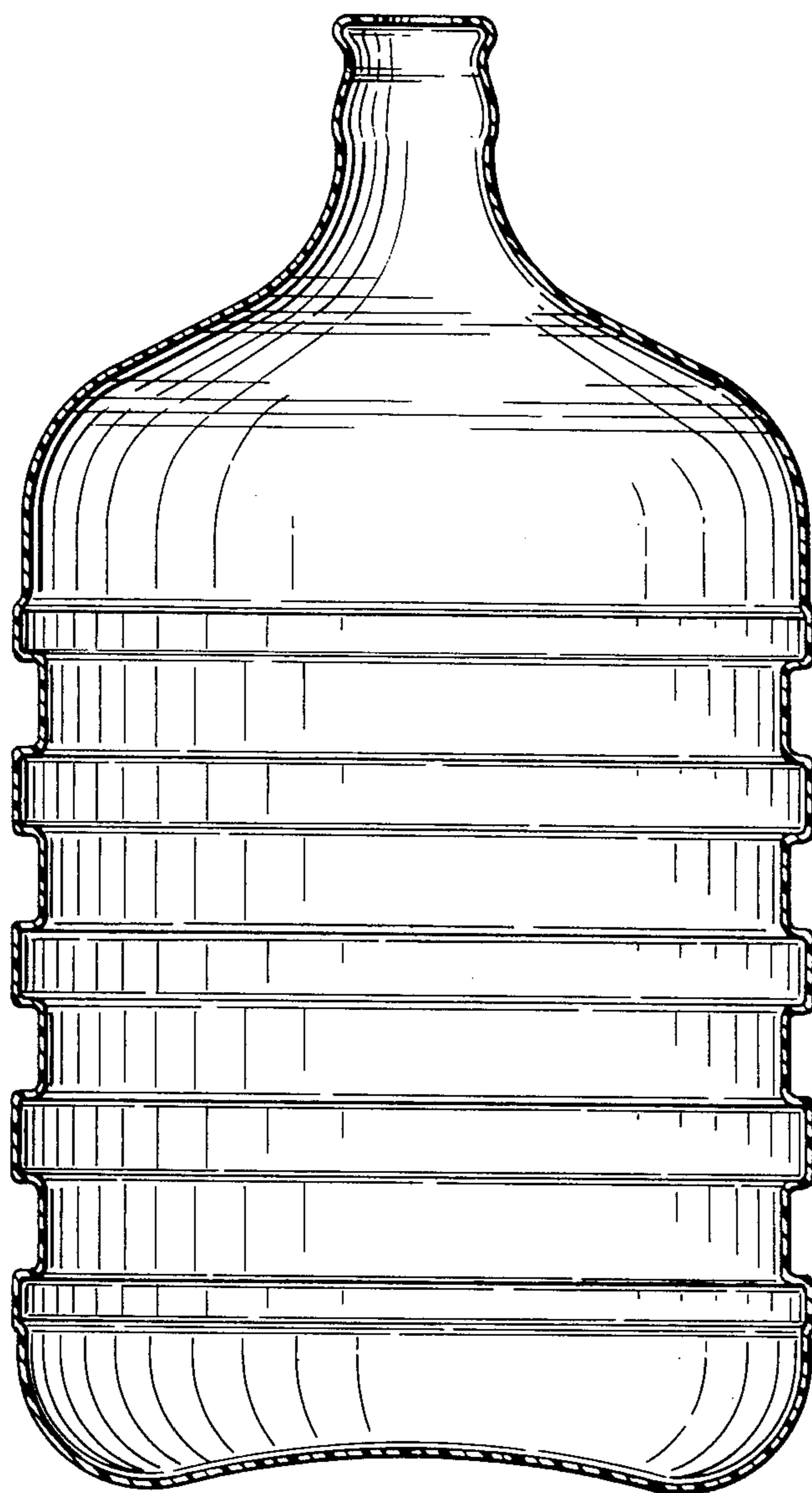


FIG 3

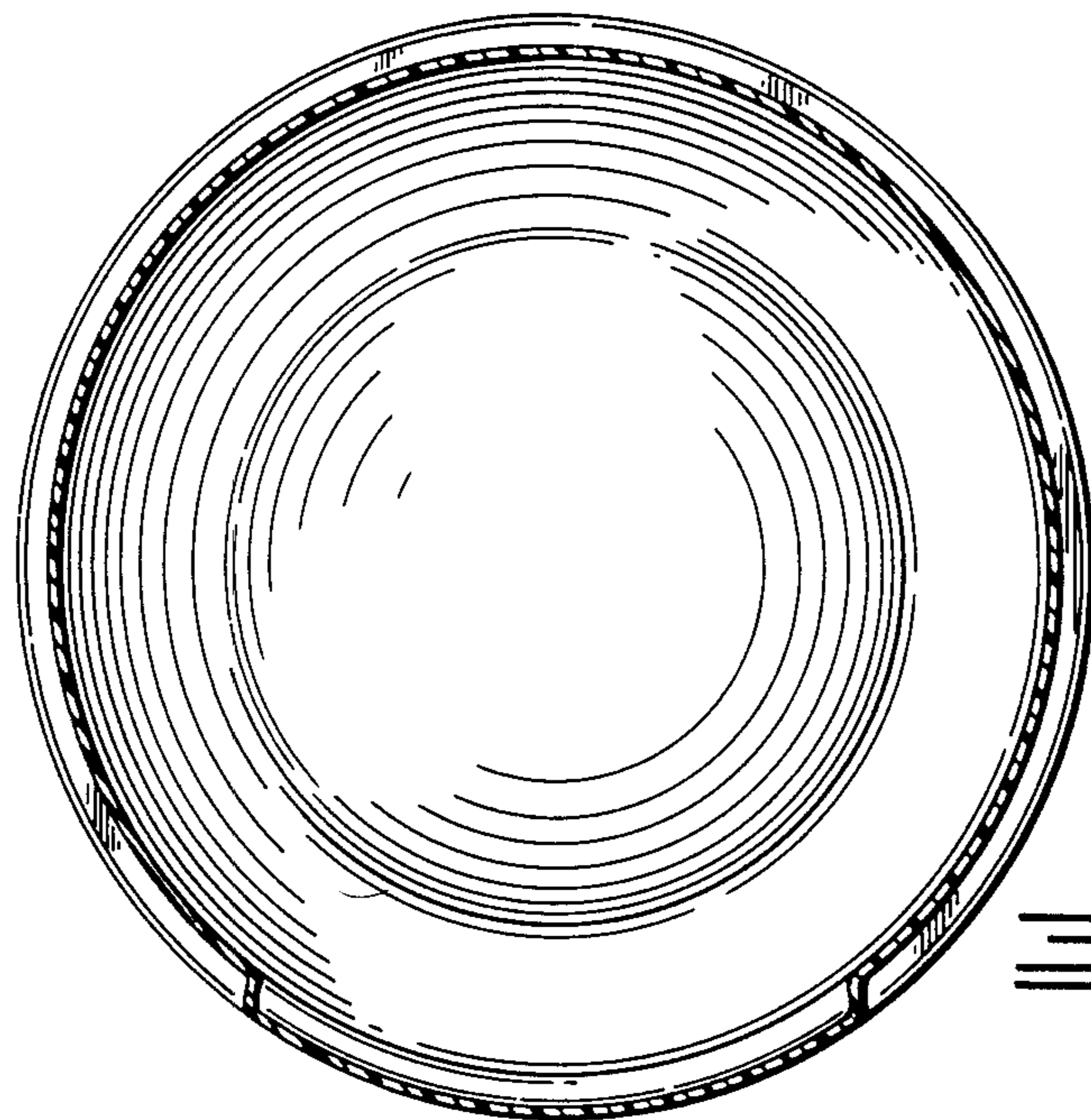


FIG 4

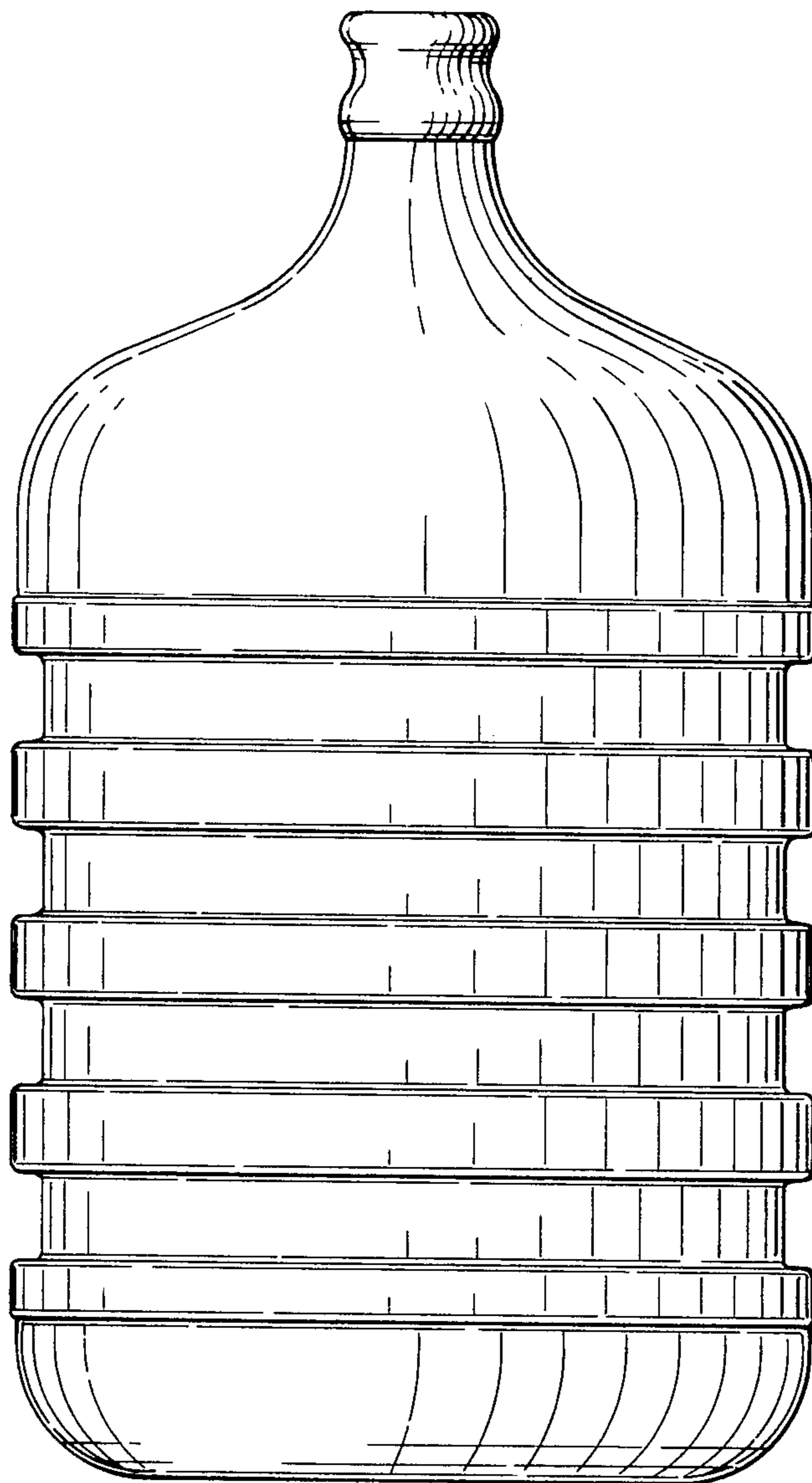


FIG 6