

[54] TABLE

[75] Inventor: Marion E. Pratt, Greensboro, N.C.

[73] Assignee: Gordon's Inc. (Entire), Johnson City, Tenn.

[**] Term: 3½ Years

[21] Appl. No.: 654,341

[22] Filed: Feb. 2, 1976

[51] Int. Cl. D6-03

[52] U.S. Cl. D6/175

[58] Field of Search D6/20, 27, 29, 175, D6/177-179, 145-149

[56] References Cited

U.S. PATENT DOCUMENTS

D. 236,674 9/1975 Gilbert D6/177

OTHER PUBLICATIONS

"Pennsylvania House," Cat. Rec'd, 3-23-1973, p. 61, Table No. 11-1205.

Primary Examiner—Bruce W. Dunkins
Attorney, Agent, or Firm—Harvey B. Jacobson

[57] CLAIM

The ornamental design for a table, as shown and described.

DESCRIPTION

FIG. 1 is a perspective view of a table showing my new design;
FIG. 2 is a right side elevational view thereof, the left side being a mirror image thereto; and
FIG. 3 is a bottom plan view of the left half thereof, the right half being symmetrical thereto about a transverse center line.

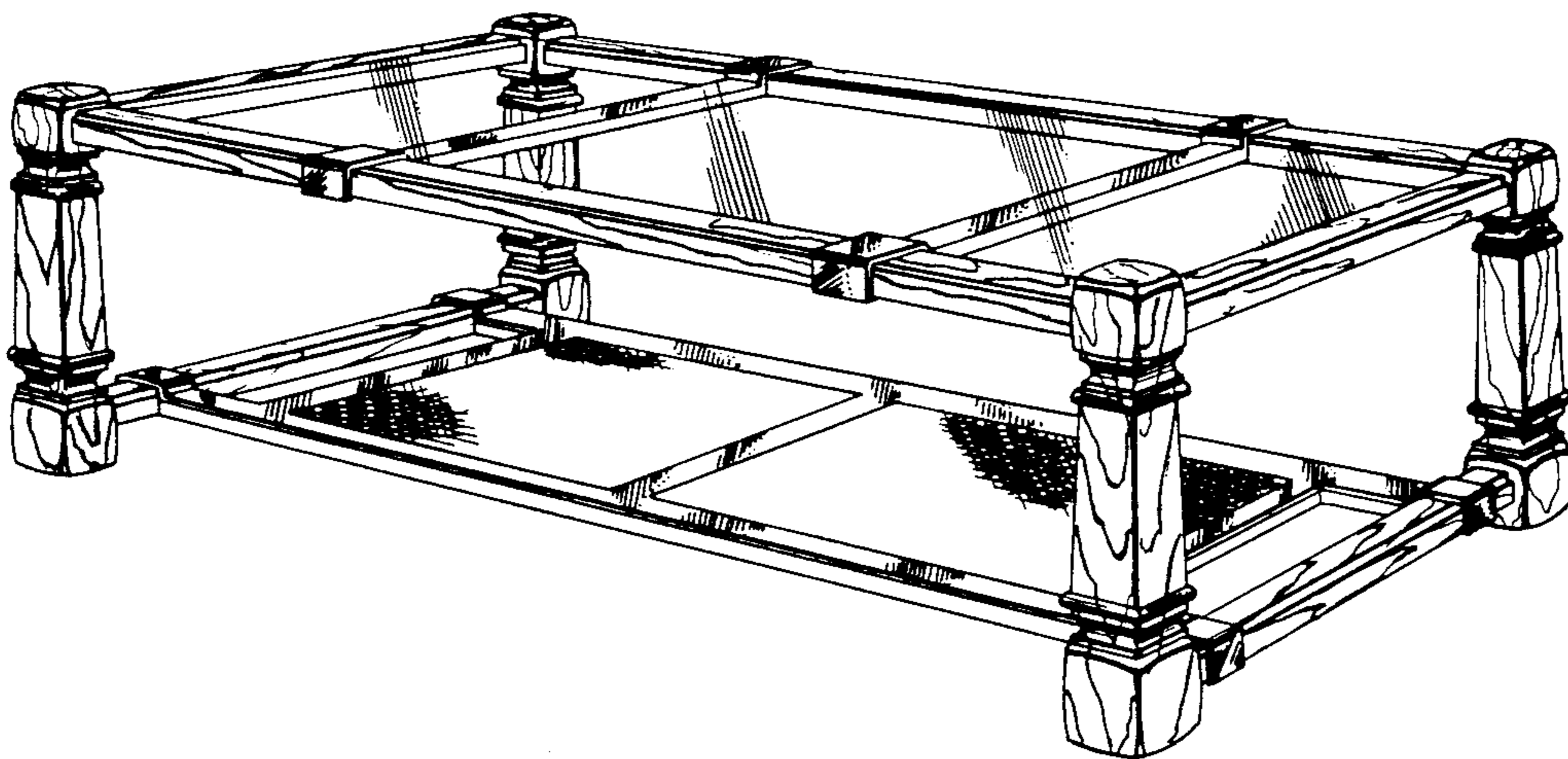


FIG. 1

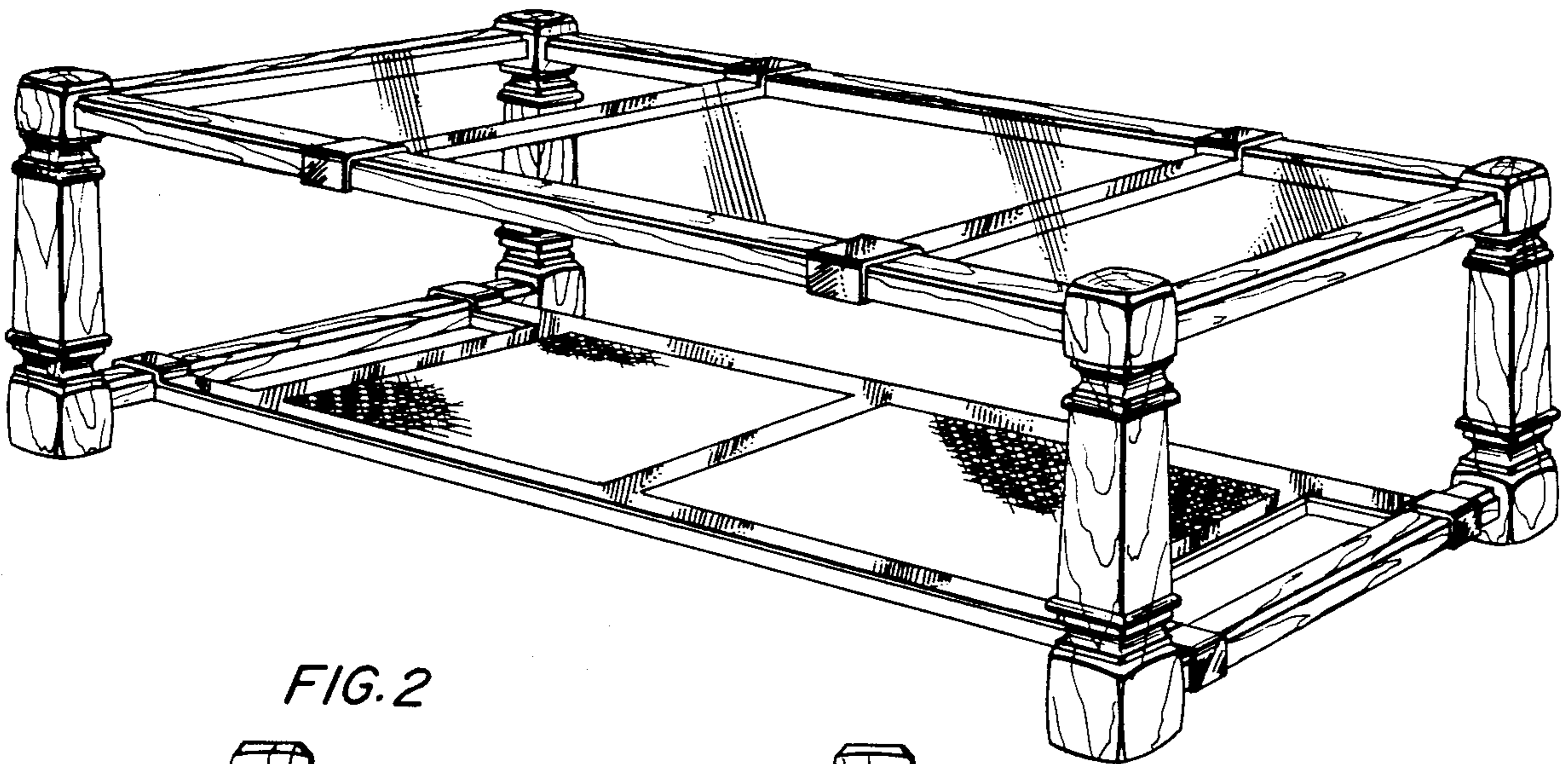


FIG. 2

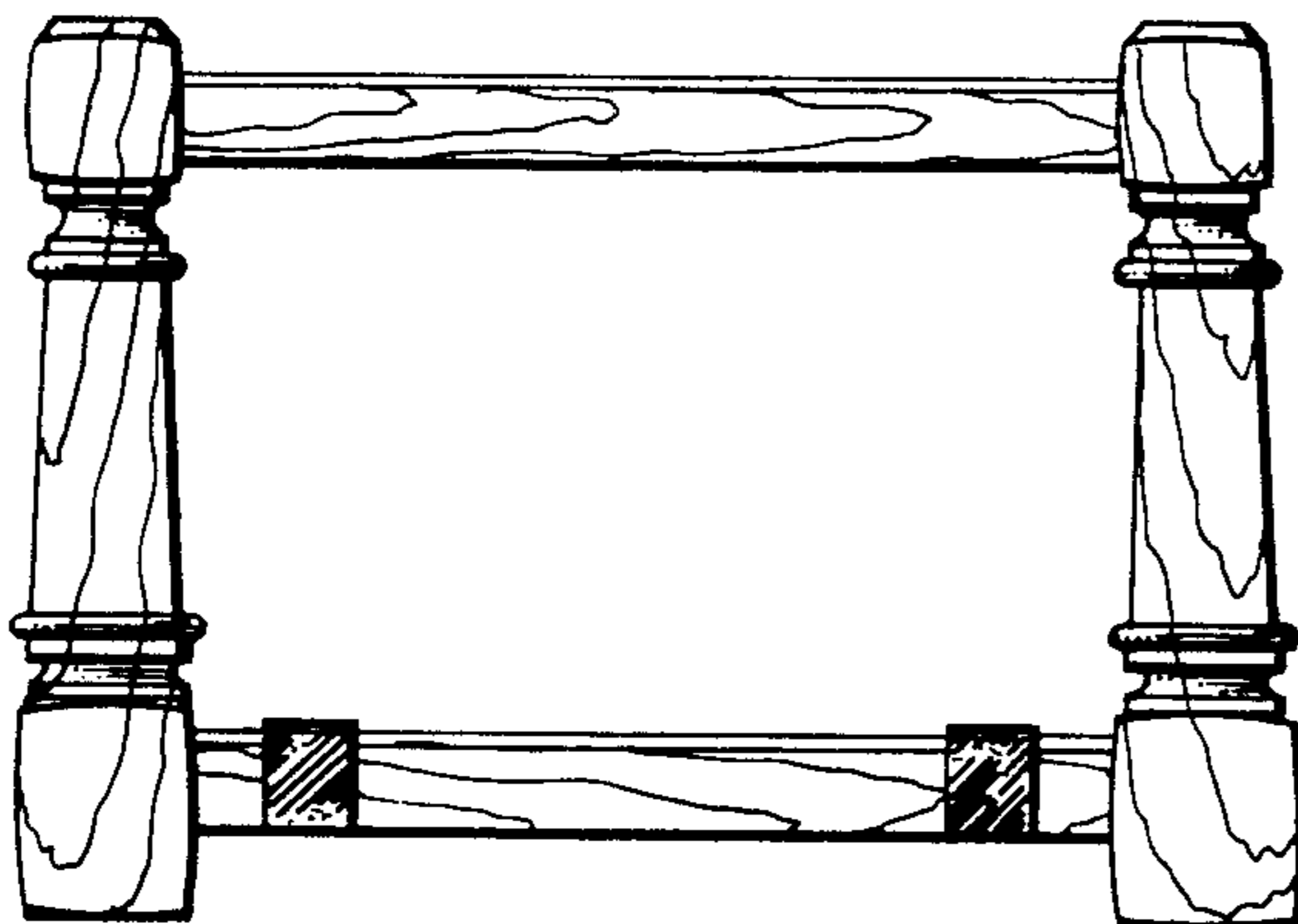


FIG. 3

