

[54] **VEGETABLE CHOPPER**

[75] **Inventor:** Karl Zysset, Lyss, Switzerland

[73] **Assignee:** K. Zysset & Co. AG, Lyss, Switzerland

[**] **Term:** 14 Years

[21] **Appl. No.:** 594,947

[22] **Filed:** July 10, 1975

[30] **Foreign Application Priority Data**
 Jan. 17, 1975 Switzerland 60304/75

[51] **Int. Cl.** D7-04

[52] **U.S. Cl.** D7/155

[58] **Field of Search** D7/153, 155, 101, 99, D7/1 E; 241/272

[56] **References Cited**

U.S. PATENT DOCUMENTS

563,652	7/1896	Bulette	83/437
2,782,826	2/1957	Zysset	241/272
D. 222,731	12/1971	Gottlieb	D7/129

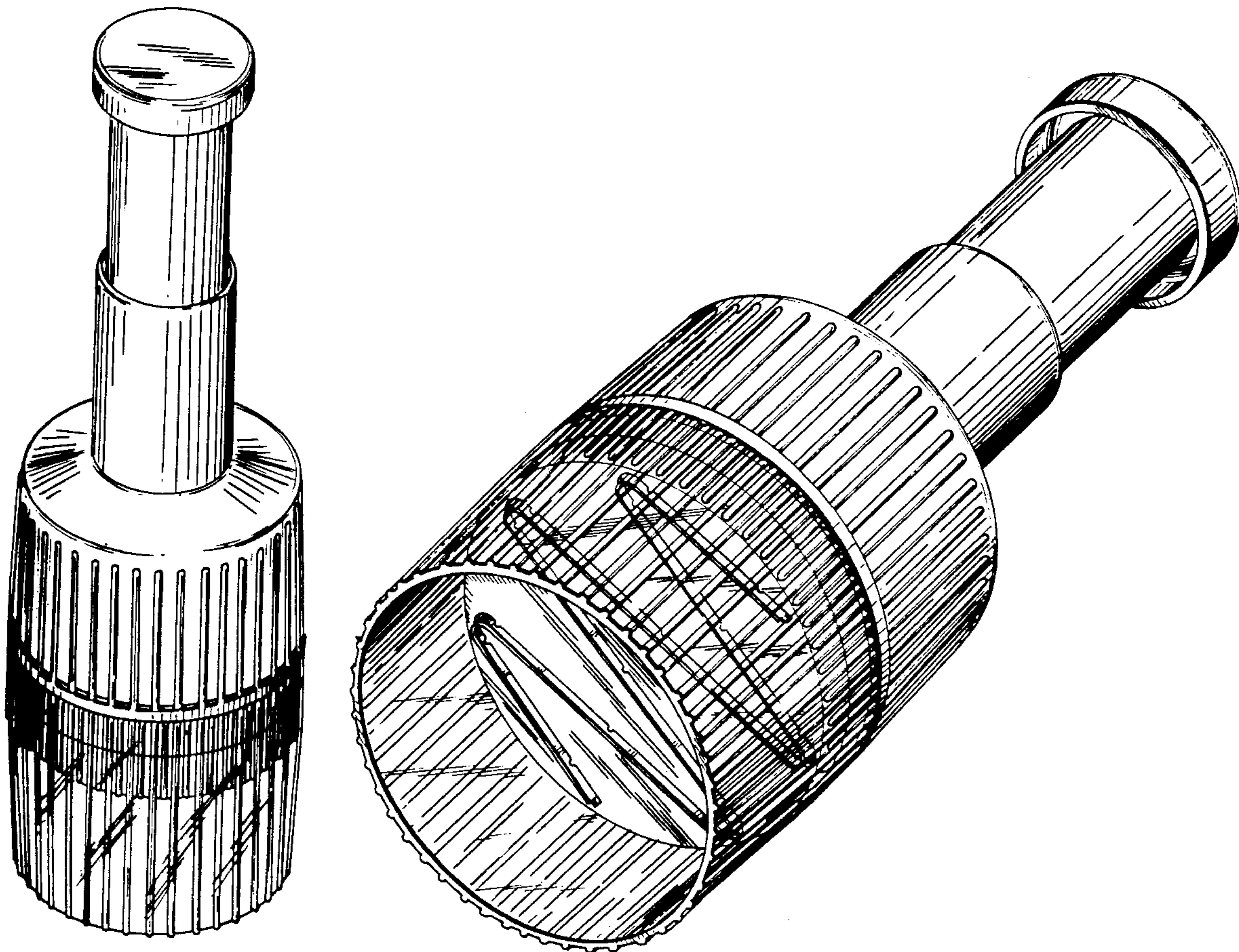
Primary Examiner—Joel Stearman
Assistant Examiner—Josephine Lloyd
Attorney, Agent, or Firm—David Toren

[57] **CLAIM**

The ornamental design for a vegetable chopper, as shown.

DESCRIPTION

FIG. 1 is a perspective view of a vegetable chopper showing my new design;
 FIG. 2 is a top plan view;
 FIG. 3 is a bottom plan view;
 FIG. 4 is an enlarged scale bottom perspective view.



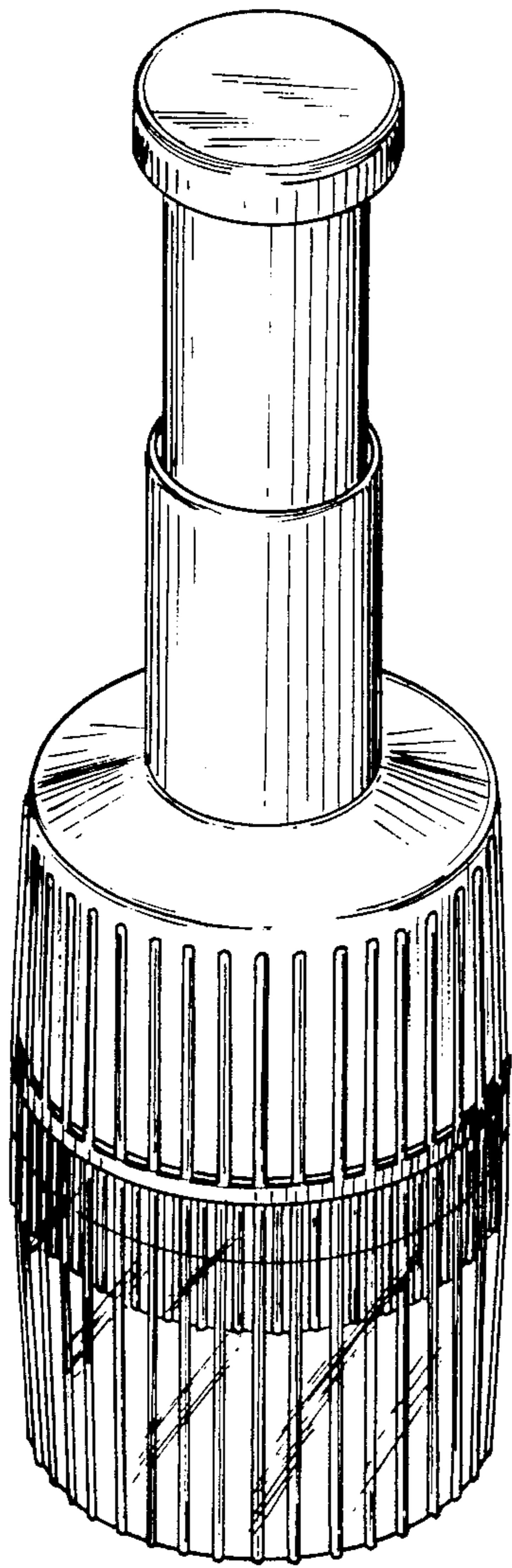


FIG. 1

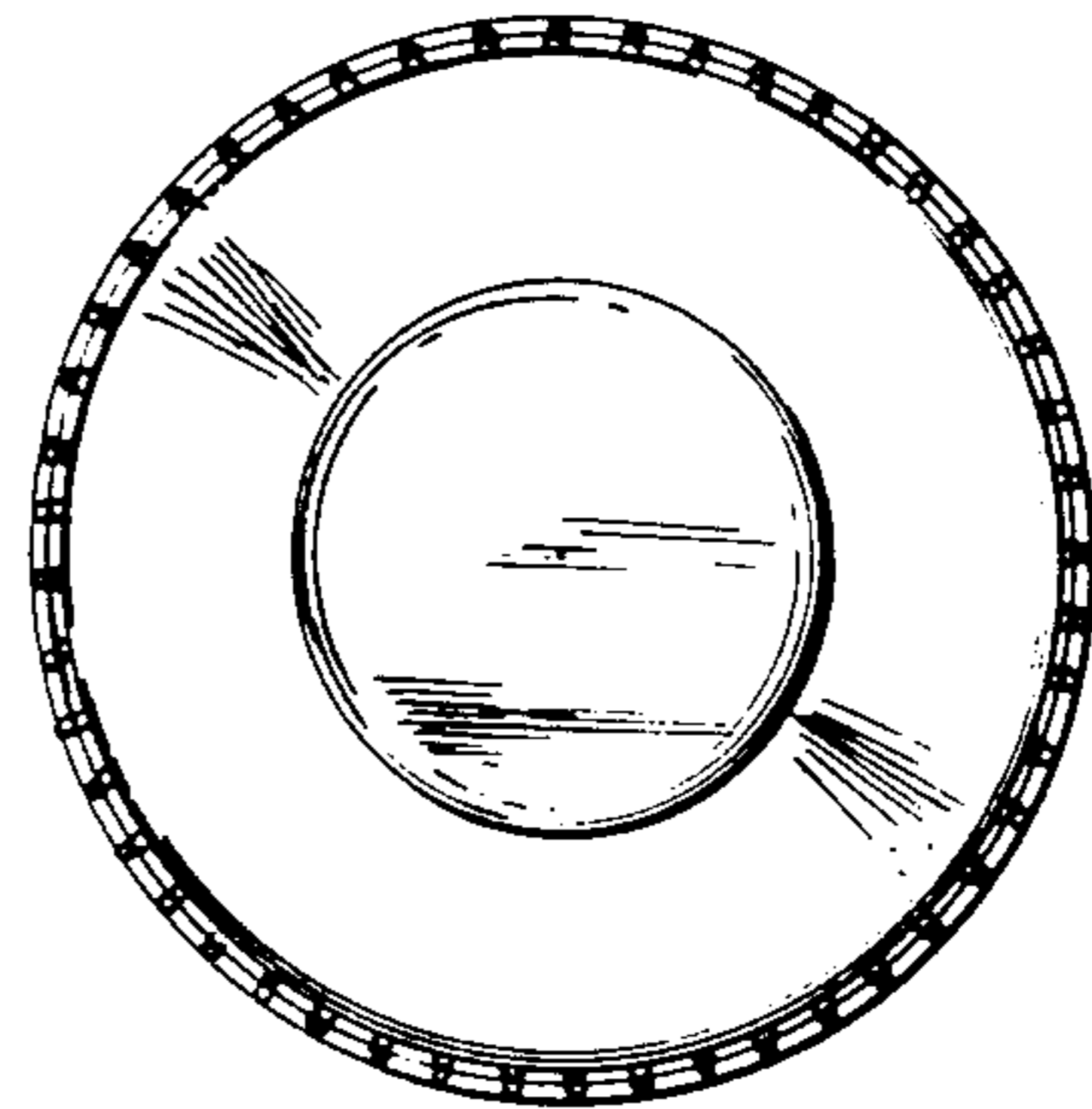


FIG. 2

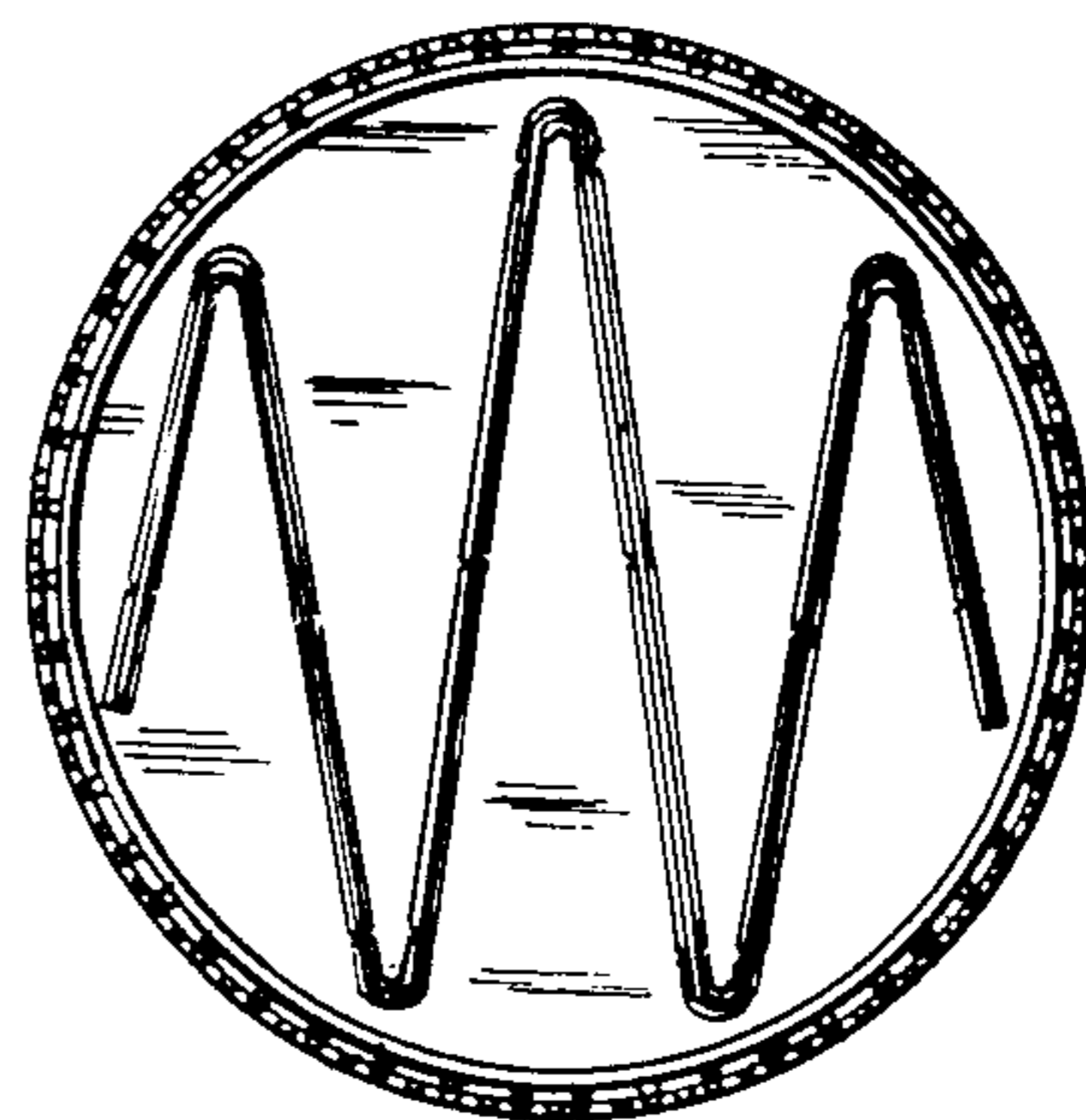


FIG. 3

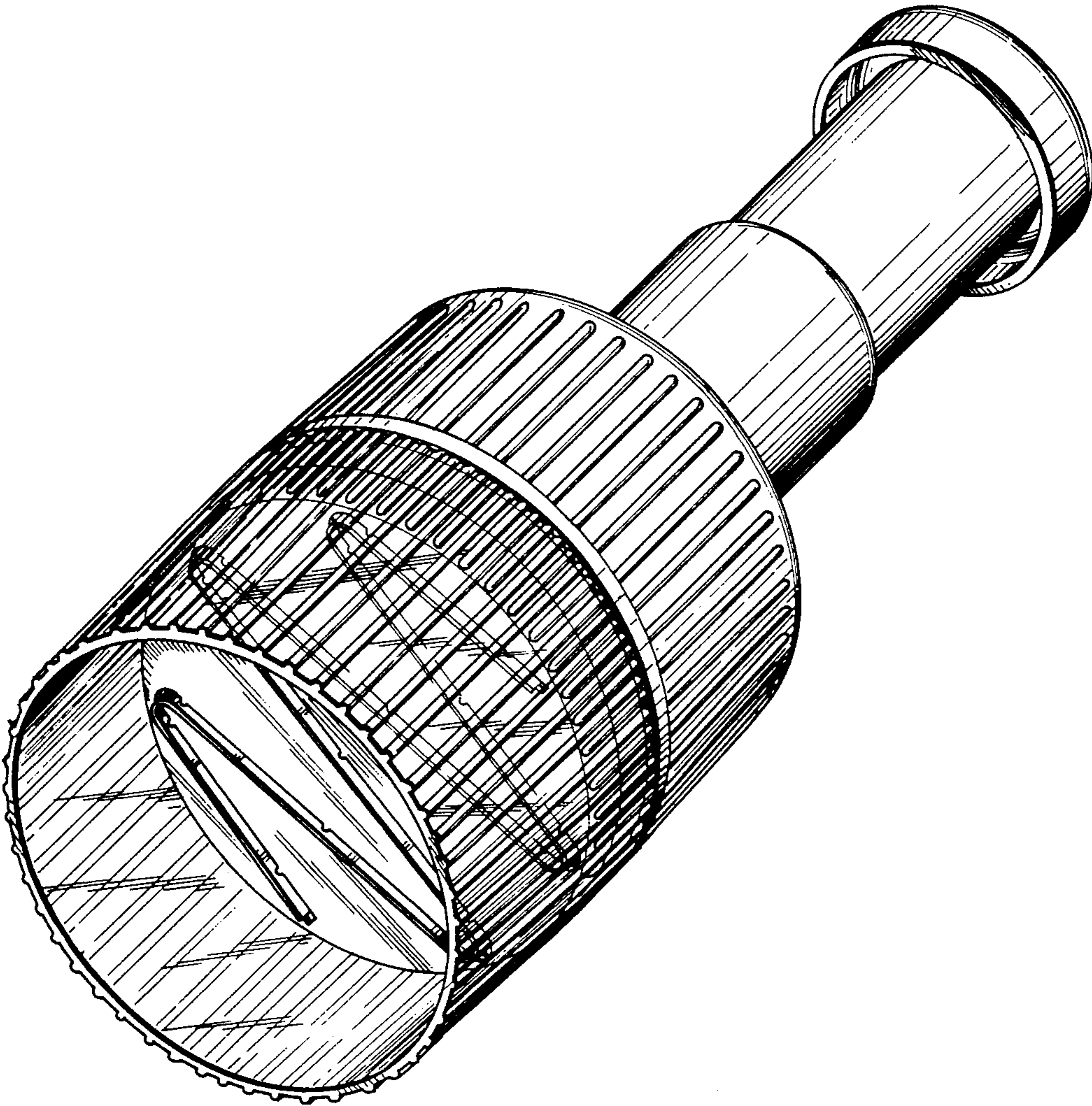


FIG. 4