

[54] BOWL OR THE LIKE

[75] Inventor: Robert H. C. M. Daenen, Hekelgem, Belgium

[73] Assignee: Dart Industries Inc., Los Angeles, Calif.

[**] Term: 14 Years

[21] Appl. No.: 612,151

[22] Filed: Sept. 10, 1975

[51] Int. Cl. D7-01

[52] U.S. Cl. D7/23

[58] Field of Search 206/519, 520; 150/5; 220/23; D7/16-21, 76, 22-36, 40, 131, 3, 98; D9/220

[56] References Cited

U.S. PATENT DOCUMENTS

3,051,303	8/1962	Daanen et al.	D7/17
D. 221,169	7/1971	Benes	D7/23
D. 238,237	12/1975	Herlow et al.	D7/17

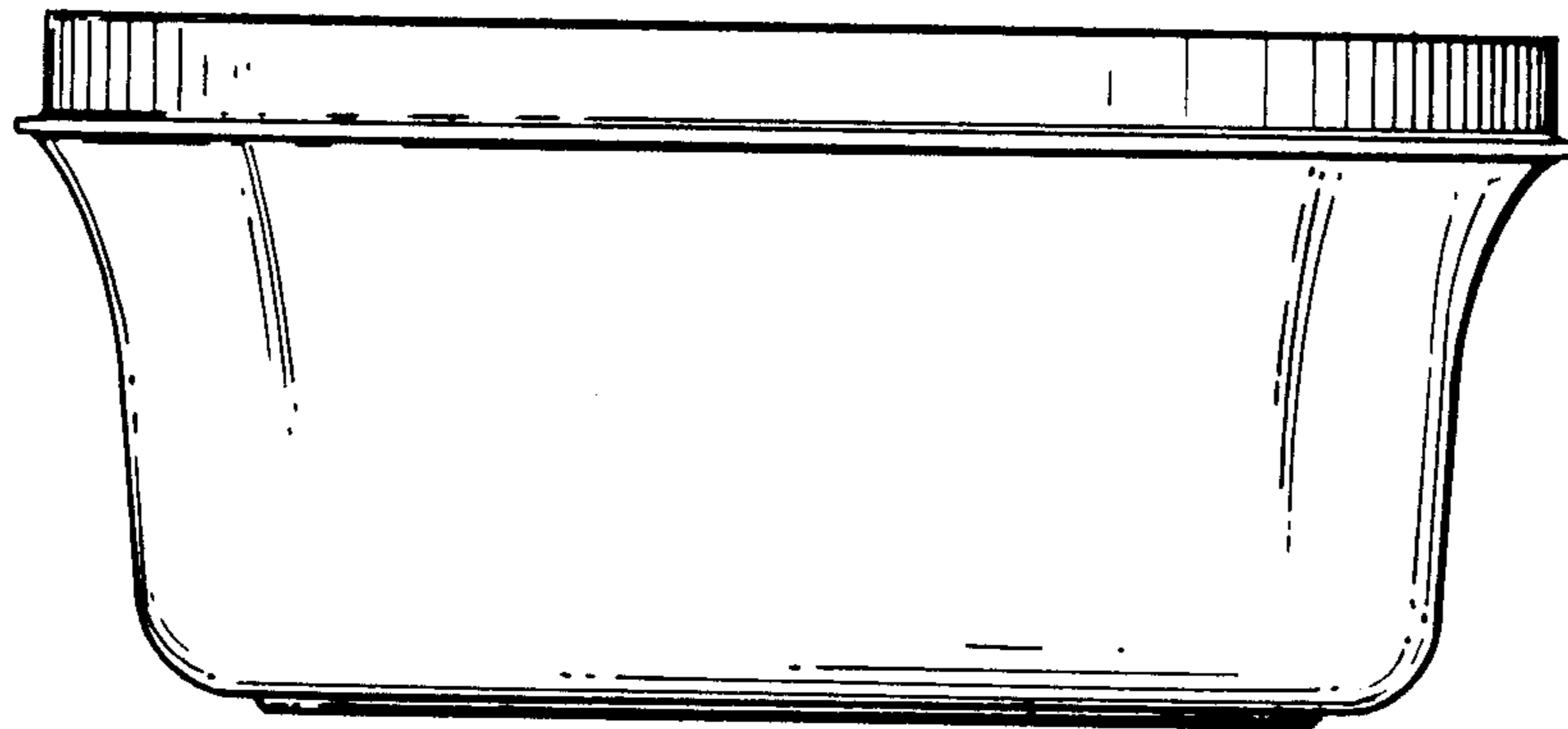
Primary Examiner—Winifred E. Herrmann
Attorney, Agent, or Firm—Leigh B. Taylor

[57] CLAIM

The ornamental design for a bowl or the like, substantially as shown.

DESCRIPTION

FIG. 1 is a top perspective view of a bowl or the like showing my new design;
FIG. 2 is a top plan view thereof;
FIG. 3 is a bottom perspective view thereof;
FIG. 4 is a side elevational view thereof; and
FIG. 5 is a partial cross-sectional view thereof on an enlarged scale taken along line 5-5 of FIG. 2.



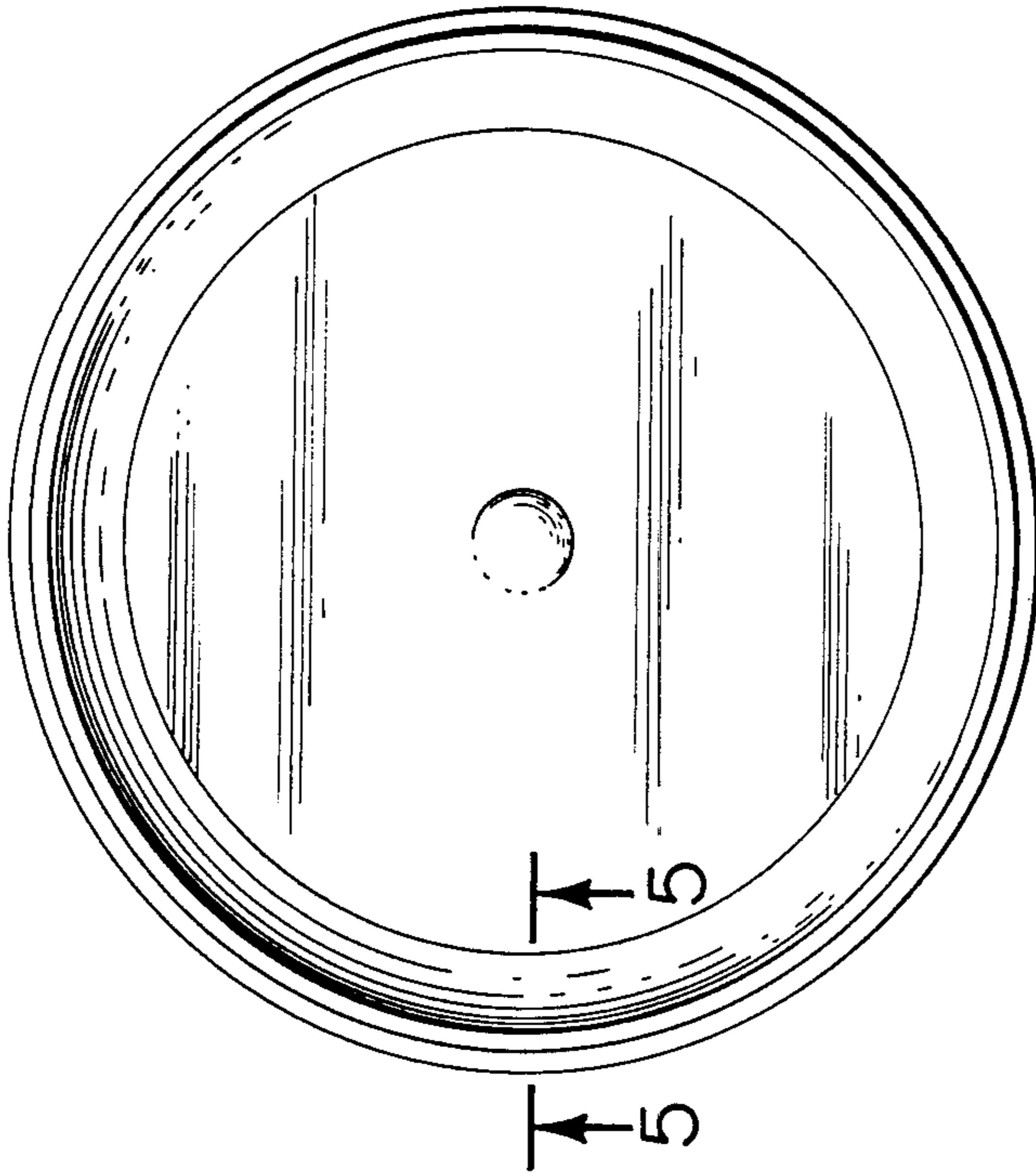


FIG. 2

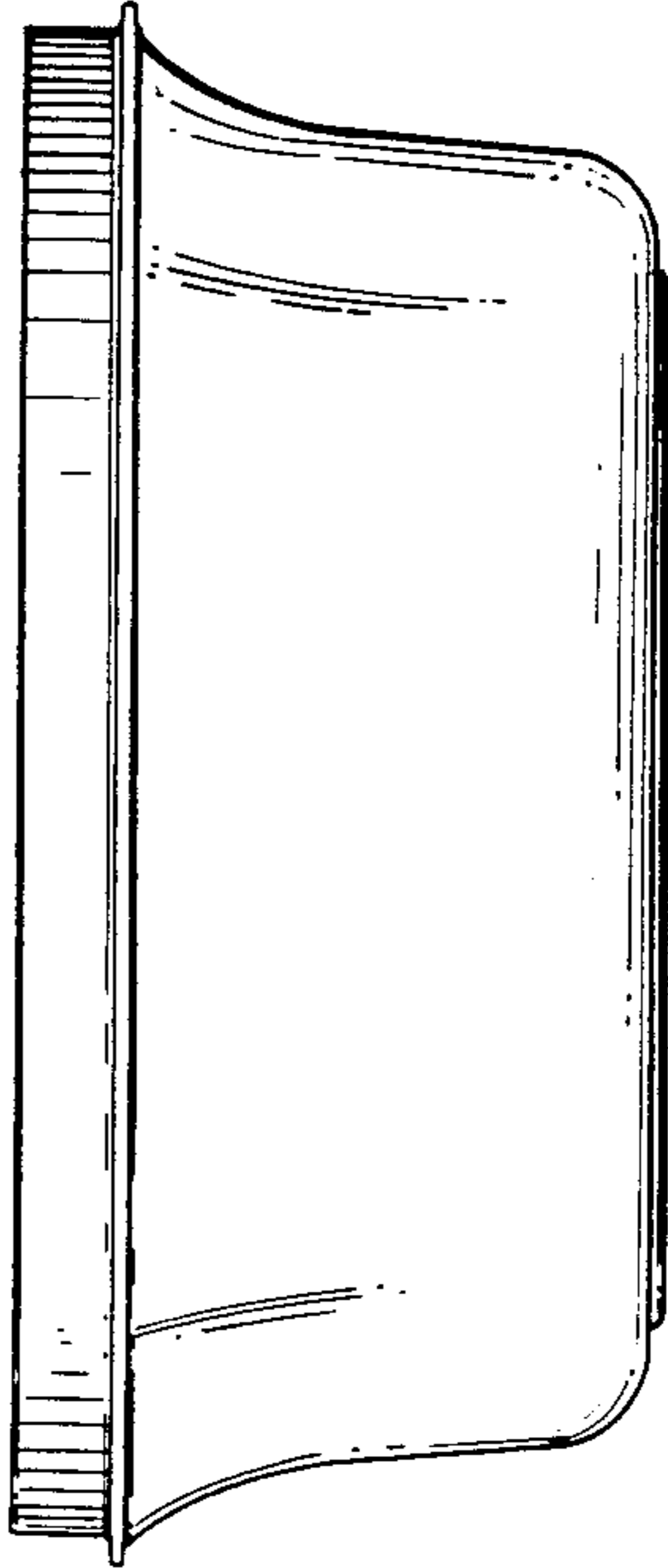


FIG. 4

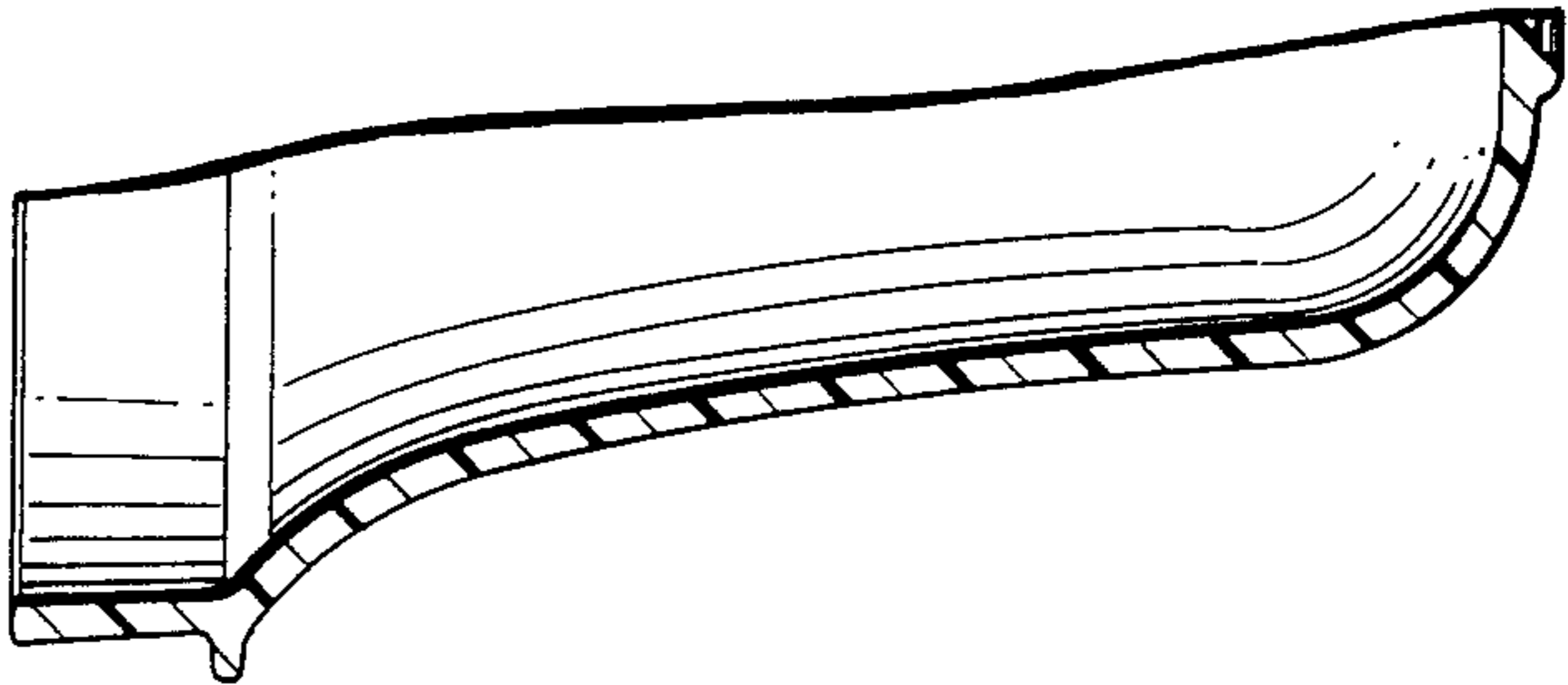


FIG. 5

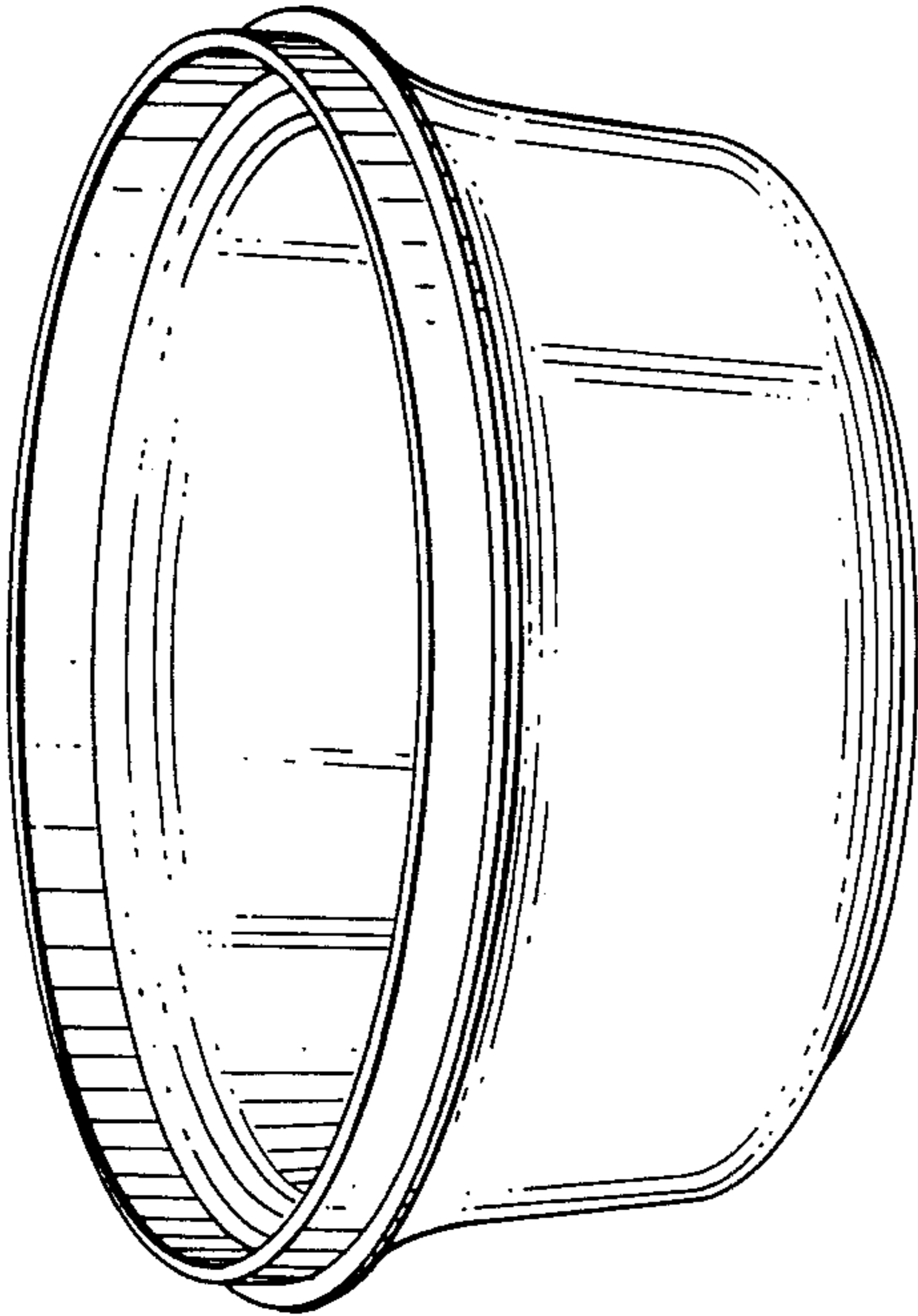


FIG. 1

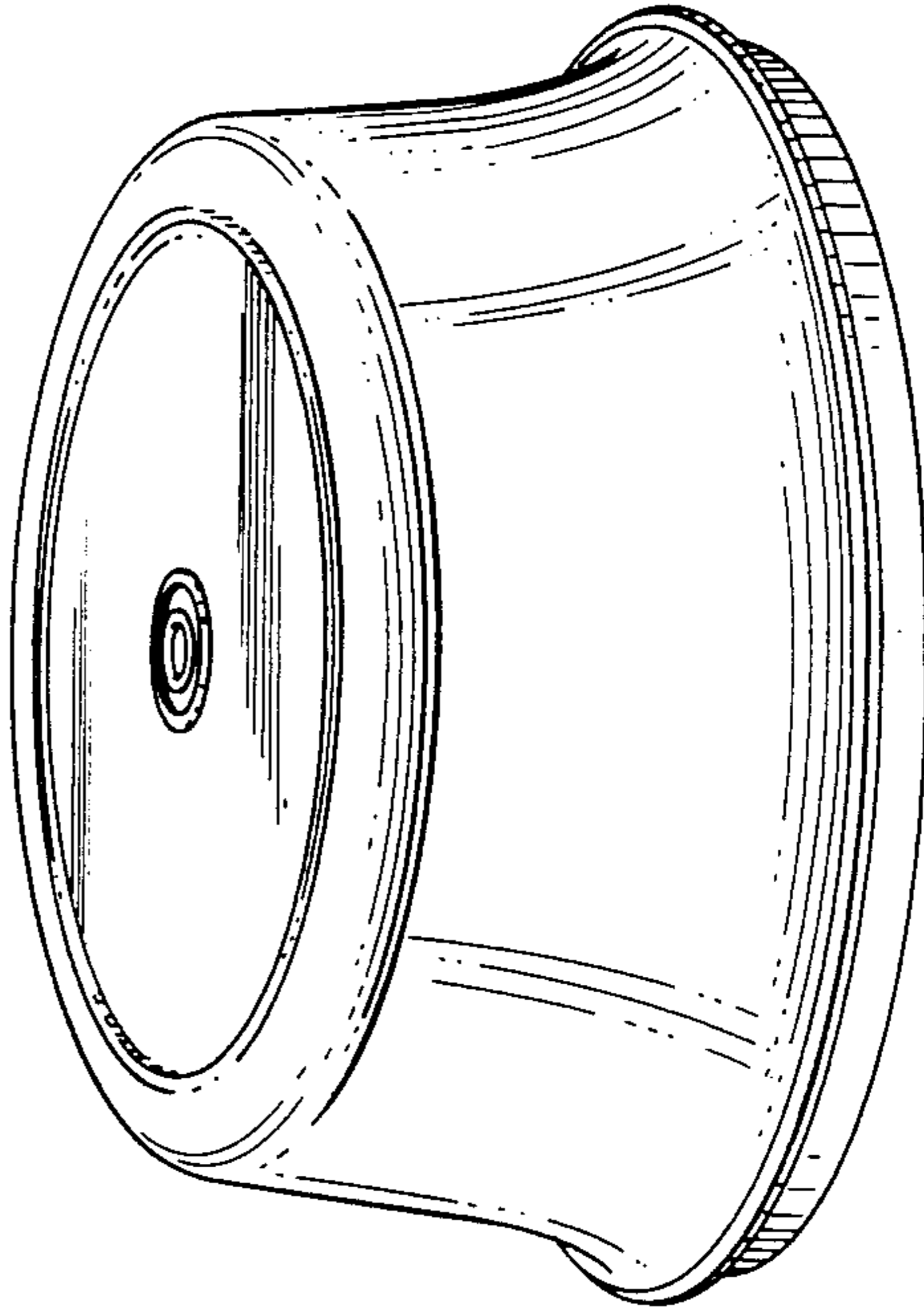


FIG. 3