

[54] DISPLAY RACK FOR SPOOLS OF THREAD

[76] Inventor: Lottie Jennings, 3107 Graciosa Lane, Anaheim, Calif. 92804

[**] Term: 14 Years

[21] Appl. No.: 671,602

[22] Filed: Mar. 29, 1976

[51] Int. Cl. D6-04

[52] U.S. Cl. D6/28

[58] Field of Search D6/20, 23, 24, 25, 27, D6/28, 29, 85, 141, 146, 157, 177, 179, 181-189; 211/13, 126, 128, 134, 135, 144, 163

[56] References Cited

U.S. PATENT DOCUMENTS

487,601 12/1892 Brown 211/163

2,588,529 3/1952 Hume 211/13
D. 32,862 6/1900 Poinsett D6/186
D. 146,869 6/1947 Olsen D6/186
D. 239,070 3/1976 Gray D6/85

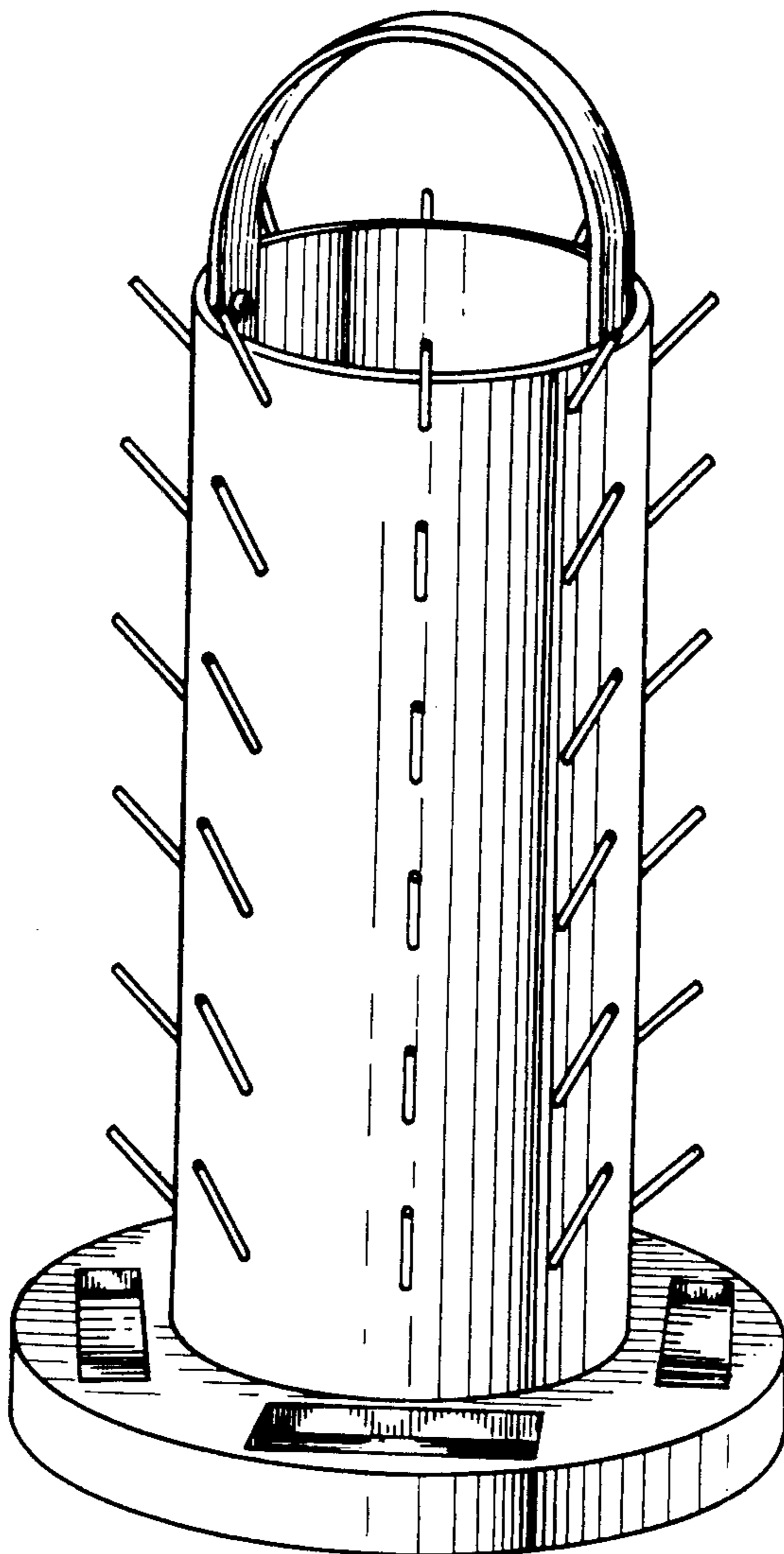
Primary Examiner—Wallace R. Burke
Assistant Examiner—B. J. Bullock
Attorney, Agent, or Firm—Francis X. LoJacono, Sr.

[57] CLAIM

The ornamental design for a display rack for spools of thread, as shown.

DESCRIPTION

FIG. 1 is a perspective view of a display rack for spools of thread showing my new design; FIG. 2 is a side elevational view thereof; FIG. 3 is a top plan view thereof; and FIG. 4 is an enlarged cross-sectional view taken along line 4-4 of FIG. 3.



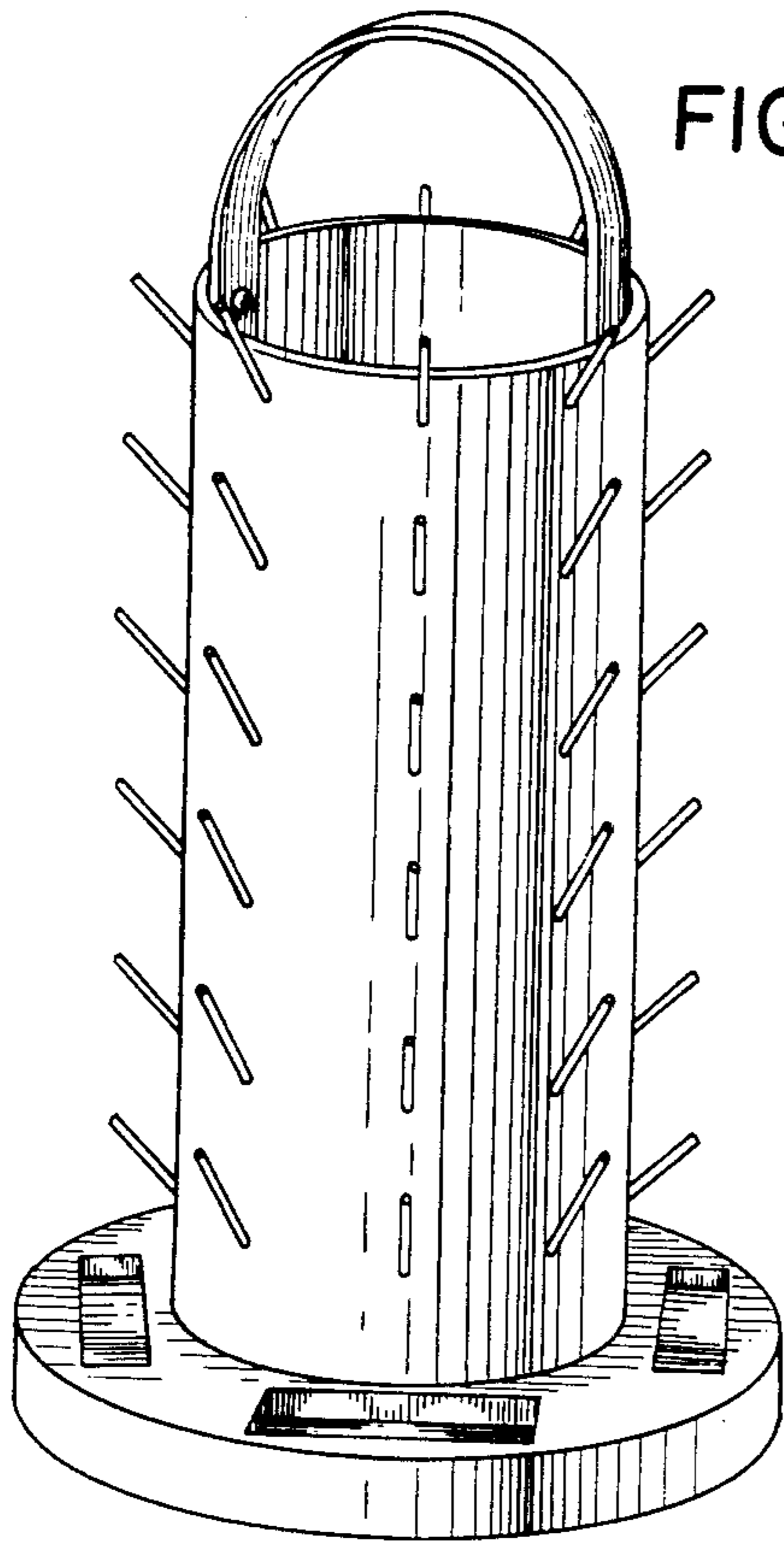


FIG. 1

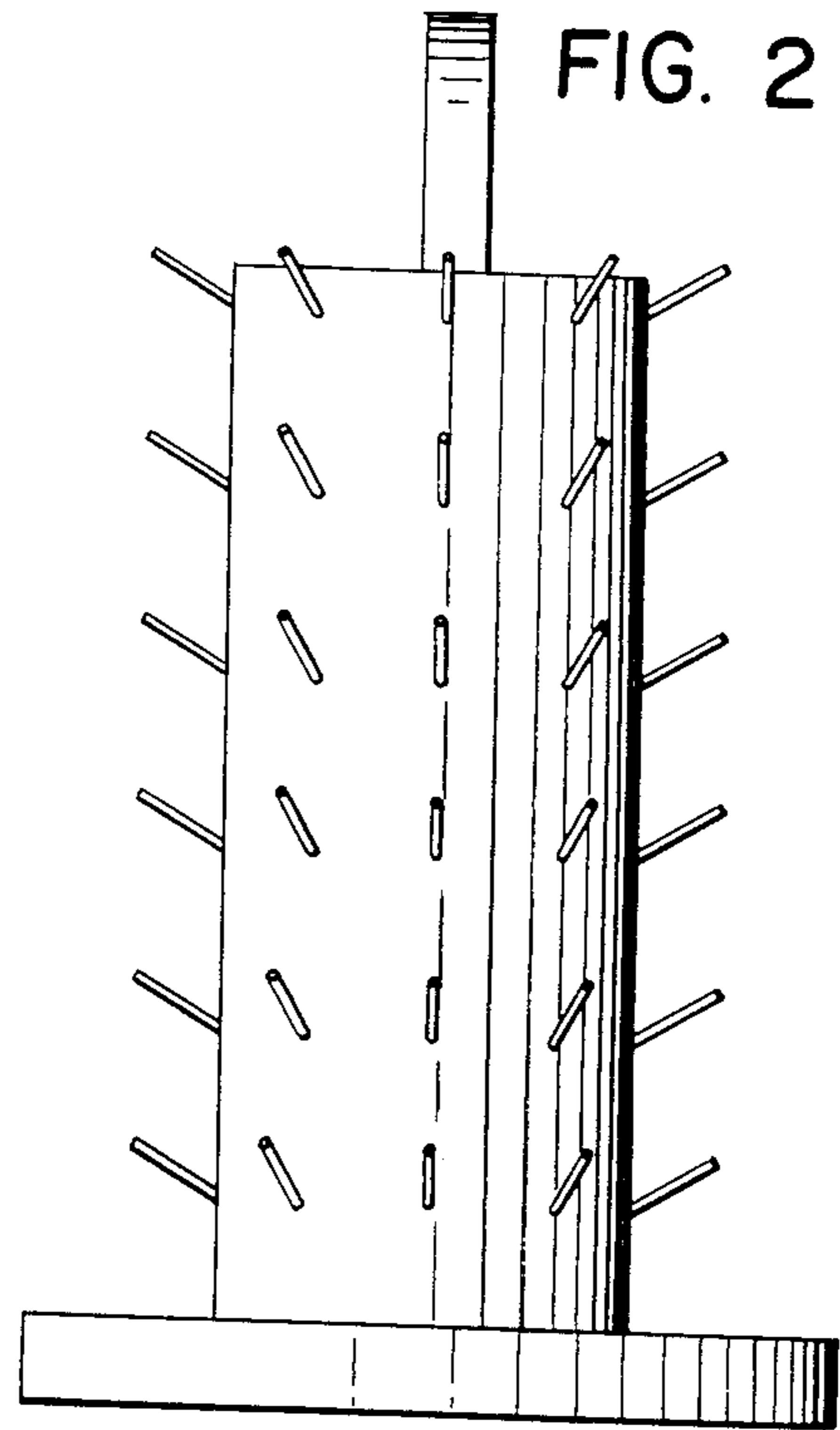


FIG. 2

FIG. 3

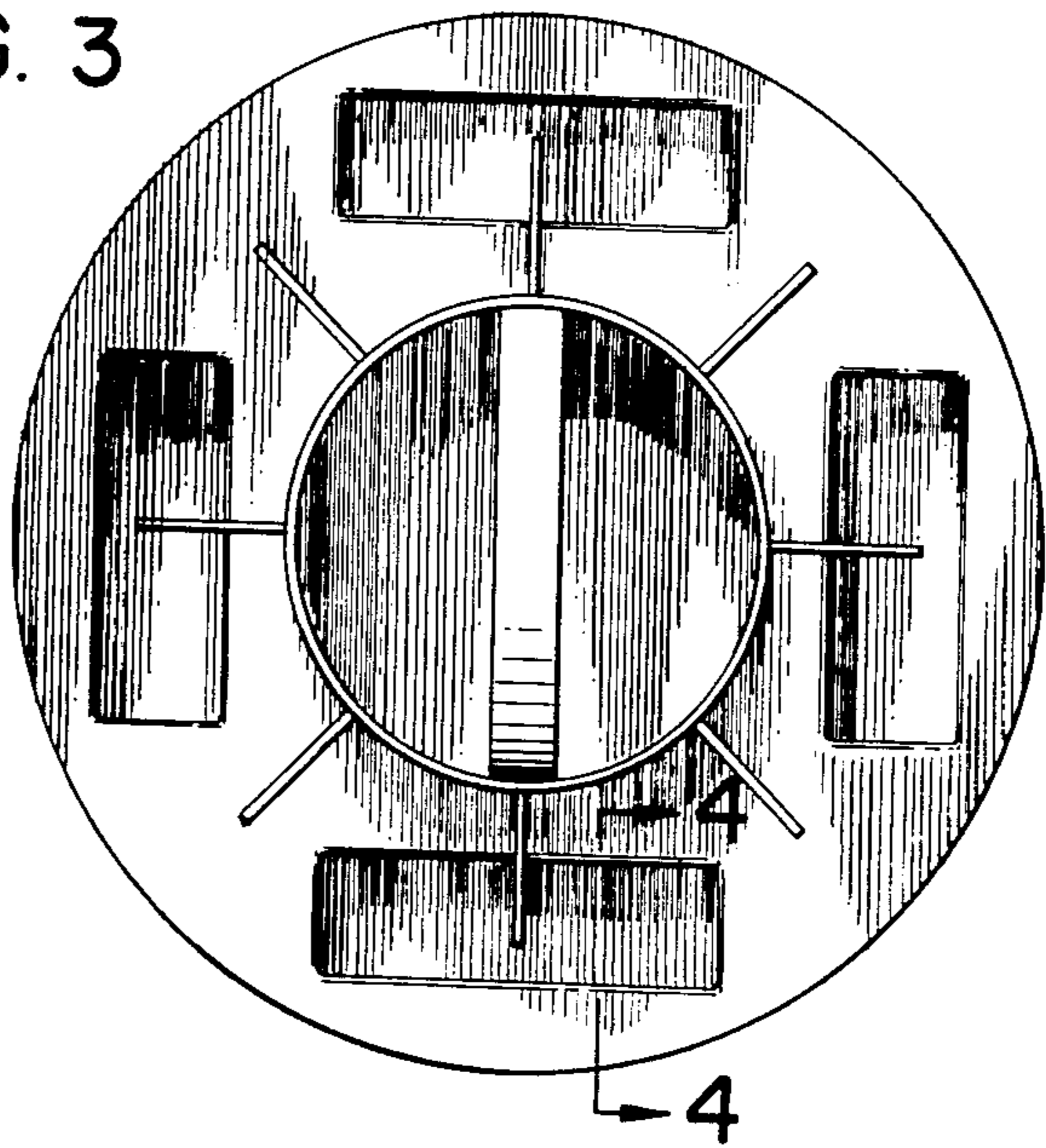


FIG. 4

