

[54] DETACHABLE AND ADJUSTABLE URINAL

[76] Inventor: Ann G. DeAngelis, 510 Castle Drive, Bethel Park, Pa. 15102

[**] Term: 14 Years

[21] Appl. No.: 510,045

[22] Filed: Sept. 27, 1974

[51] Int. Cl. D24-04

[52] U.S. Cl. D24/54

[58] Field of Search D9/52, 12, 18; D7/70; 294/33; 4/110; D83/1 U; D23/53, 68

[56] References Cited

U.S. PATENT DOCUMENTS

- 1,166,209 12/1915 Hoffman D7/70 X
- 2,815,511 12/1957 Friedman 4/110

- 3,716,871 2/1973 Borse 4/110
- 3,727,244 4/1973 Collins 4/110
- D. 212,516 10/1968 Biech D83/1 U
- D. 213,408 2/1968 Brodsky D83/1 U
- D. 233,118 10/1974 Finn D7/70

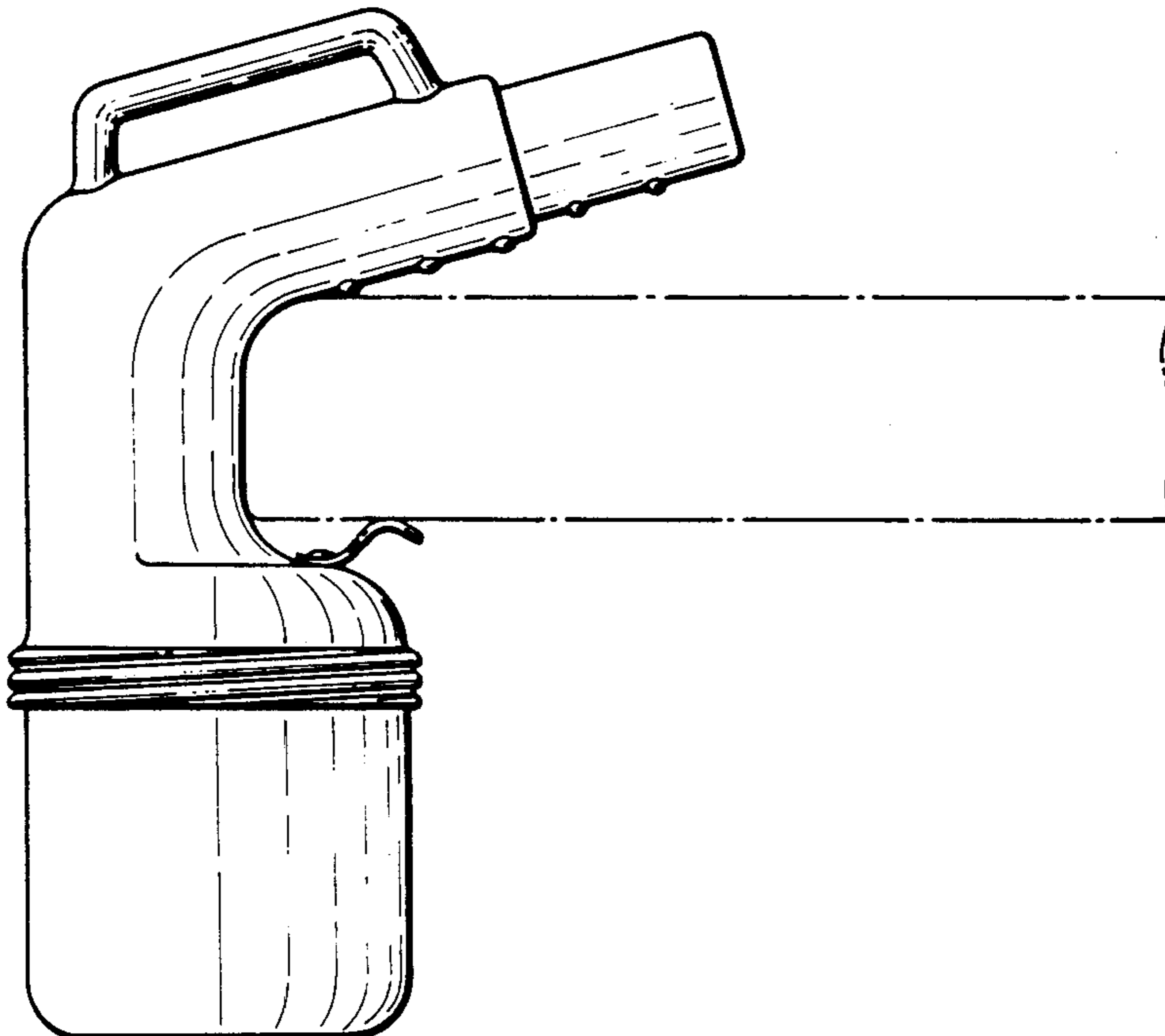
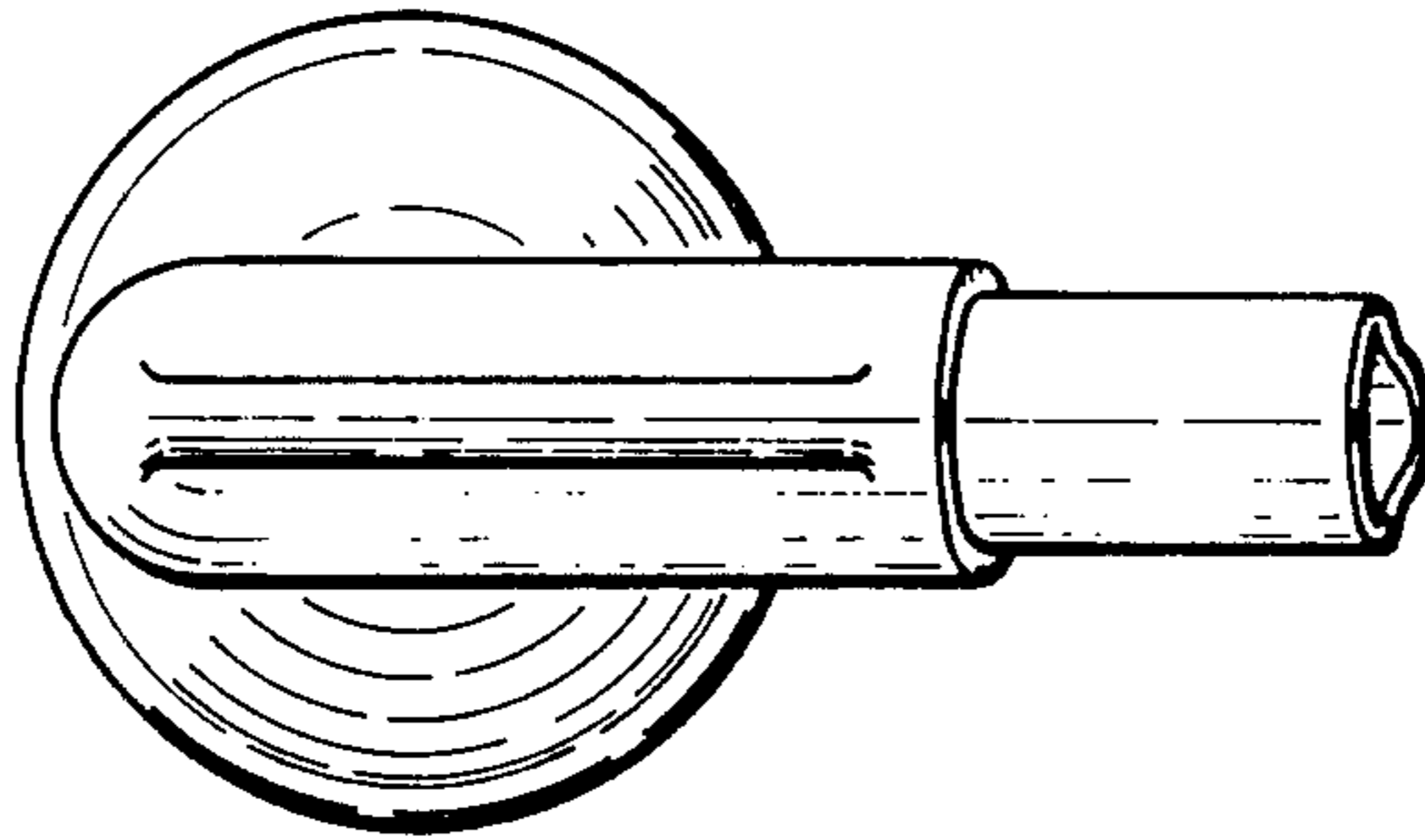
Primary Examiner—Bernard Ansher
Attorney, Agent, or Firm—William J. Ruano

[57] CLAIM

The ornamental design for a detachable and adjustable urinal, substantially as shown and described.

DESCRIPTION

FIG. 1 is a top plan view of a detachable and adjustable urinal embodying my new design; FIG. 2 is a side elevation thereof; and FIG. 3 is a front view thereof. The broken lines illustrating a wheel chair front is shown for illustrative purposes only.



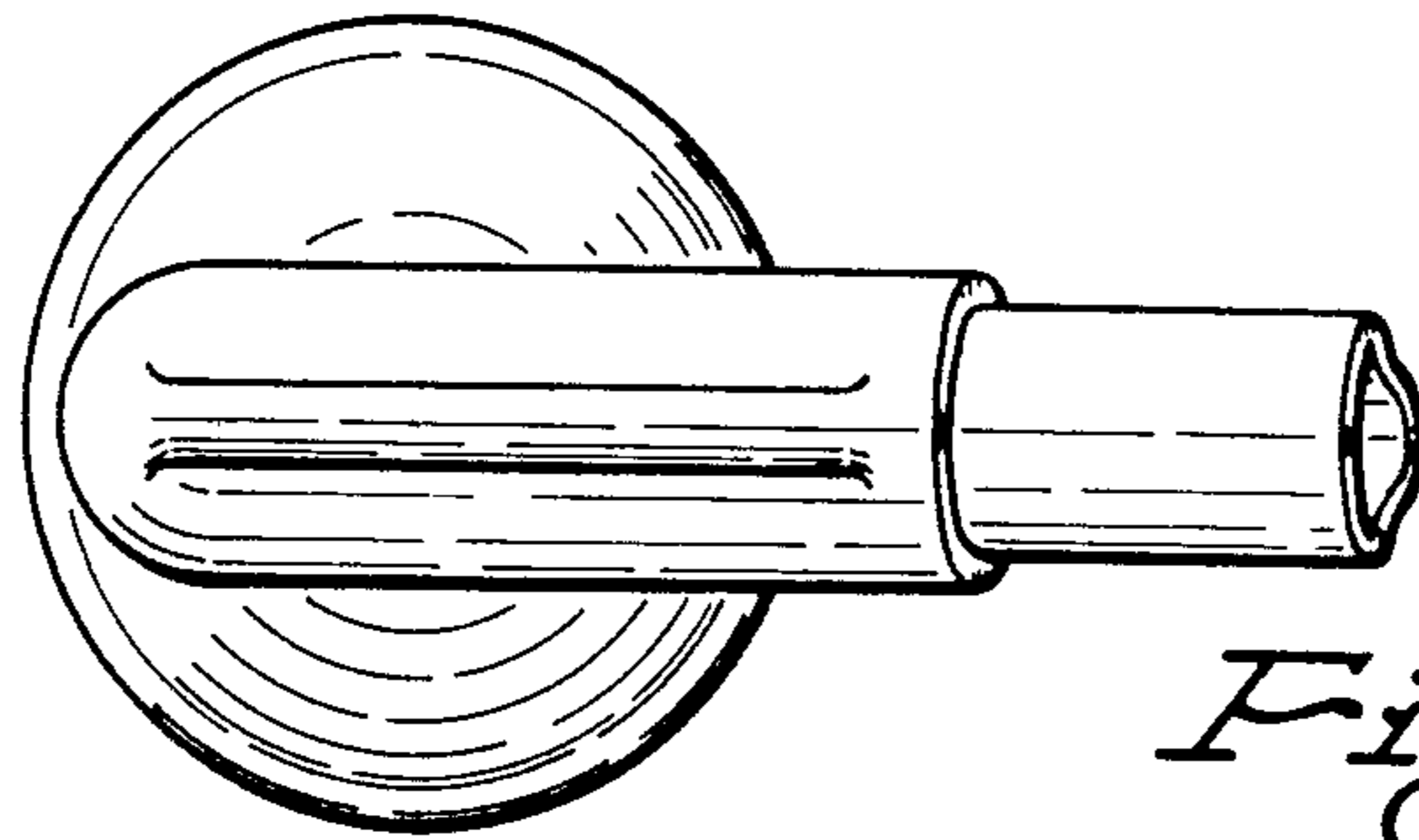


Fig. 1

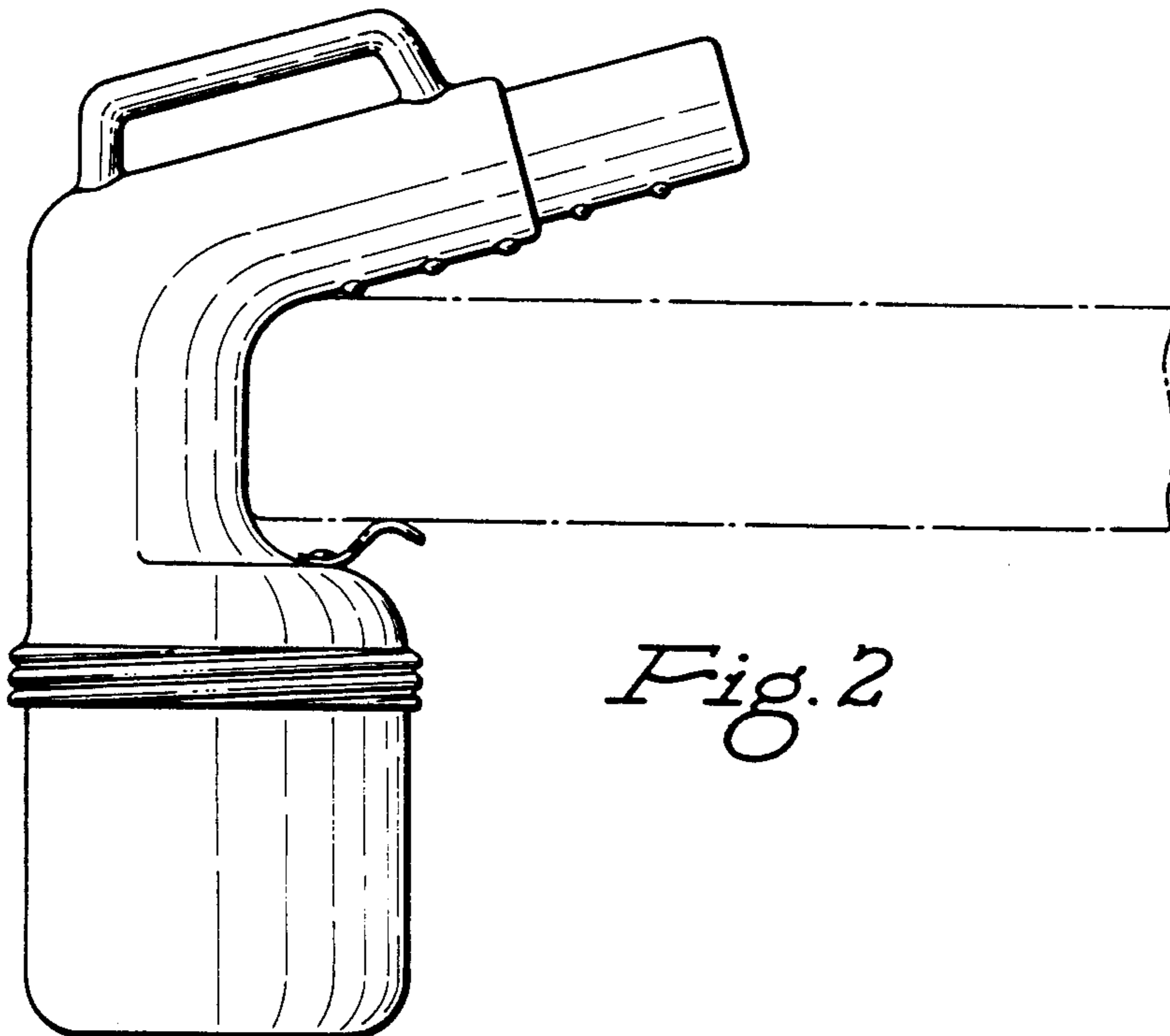


Fig. 2

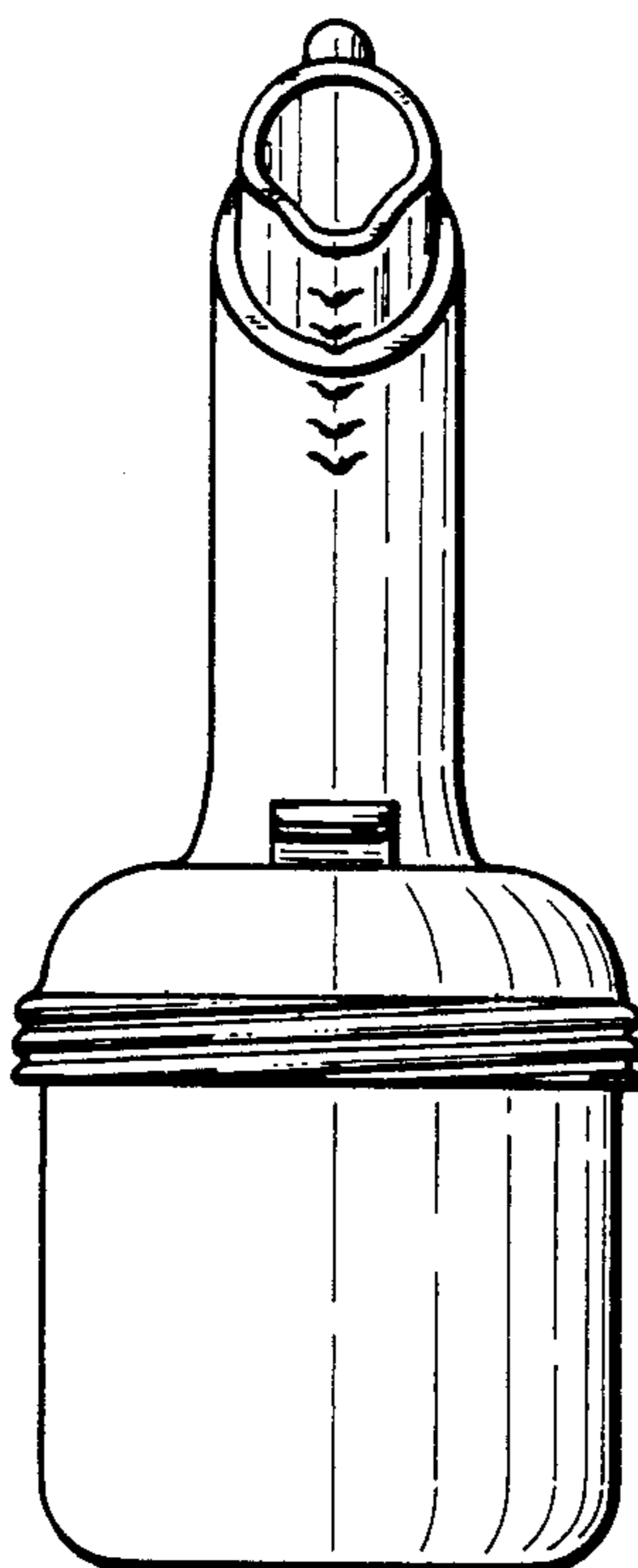


Fig. 3