

[54] TOY SEWING MACHINE OR SIMILAR ARTICLE

[75] Inventor: P. W. Chiu, Hong Kong, Hong Kong

[73] Assignee: Durham Industries, Inc., New York, N.Y.

[**] Term: 14 Years

[21] Appl. No.: 582,034

[22] Filed: May 29, 1975

[51] Int. Cl. D21-01

[52] U.S. Cl. D34/15B

[58] Field of Search D34/15 R, 15 A; D70/1

[56] References Cited

U.S. PATENT DOCUMENTS

2,557,844 6/1951 Schmitt D70/1 X
D. 180,613 7/1957 Neukirch D34/15 R

D. 211,480 6/1968 Rockwell D34/15 R

OTHER PUBLICATIONS

Sewing Machine Ad, p. A-6, The Sunday Star, Sept. 25, 1966.

Primary Examiner—Joel Stearman

Assistant Examiner—Moshe I. Cohen

Attorney, Agent, or Firm—Meyer A. Gross

[57] CLAIM

The design for a toy sewing machine or similar article.

DESCRIPTION

FIG. 1 is a front elevational view of a toy sewing machine or similar article embodying my new design; FIG. 2 is a top plan view thereof; FIG. 3 is a rear elevational view thereof; FIG. 4 is a bottom plan view thereof; FIG. 5 is a right side elevational view thereof; and FIG. 6 is a left side elevational view.

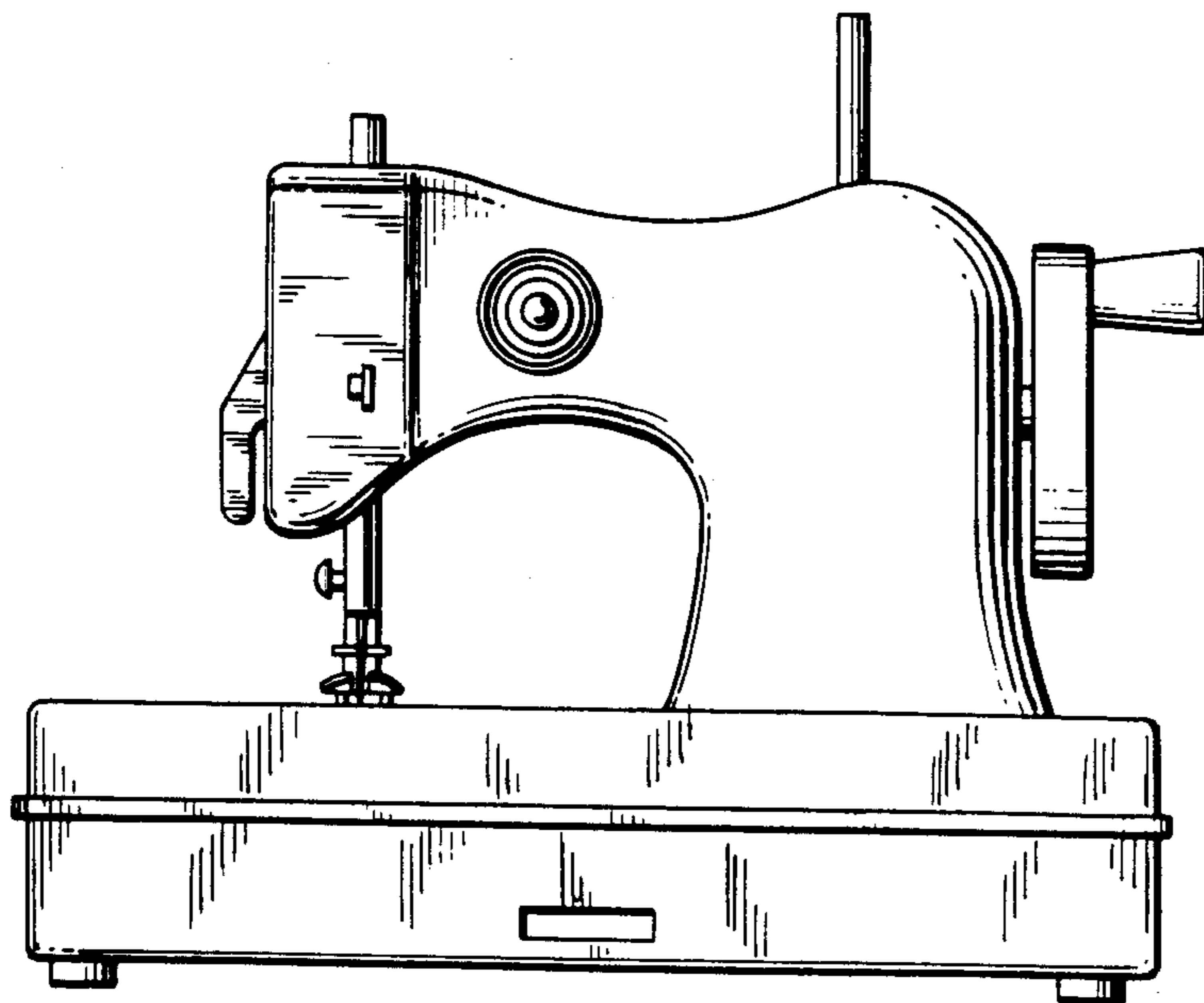


Fig. 1.

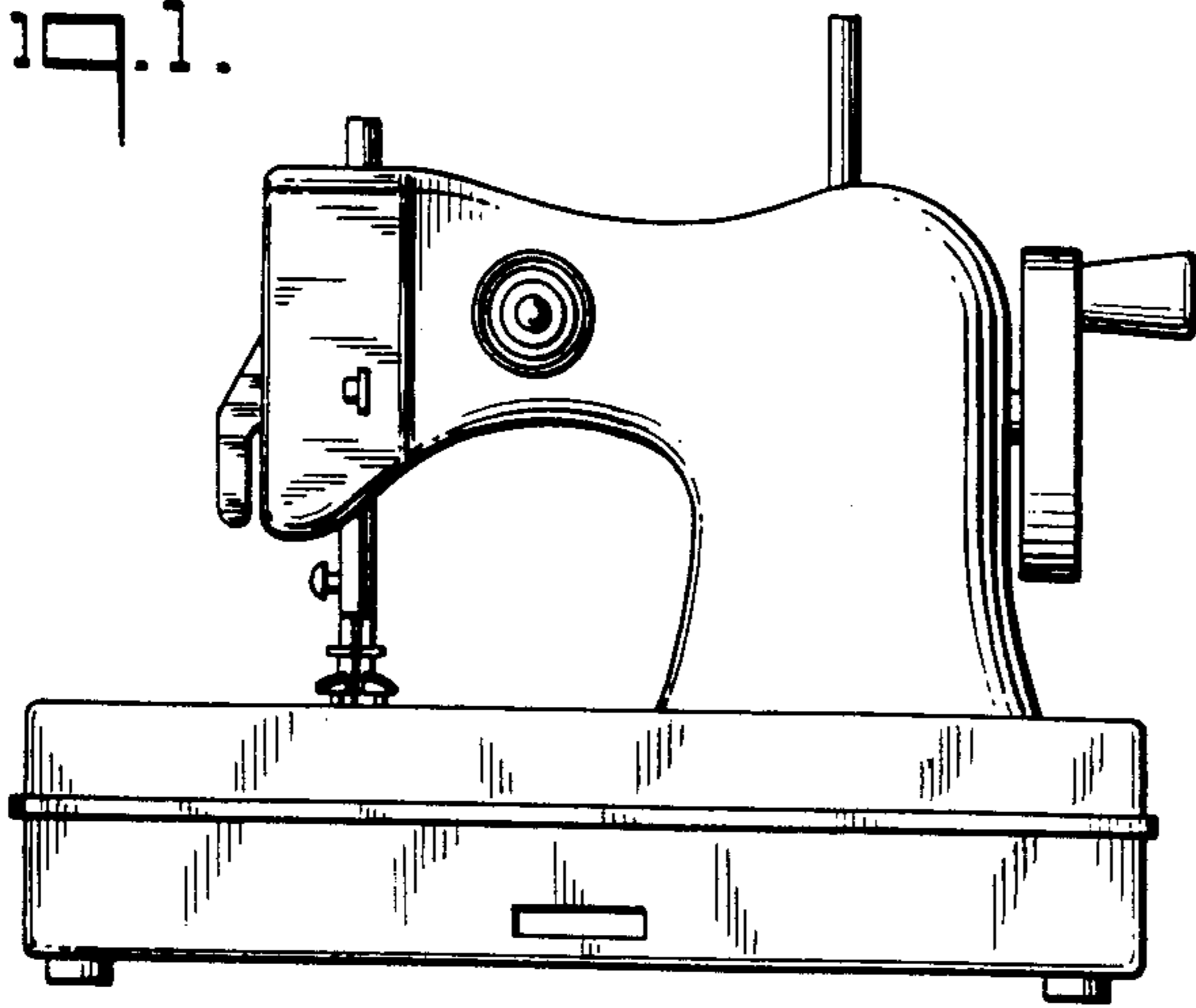


Fig. 5.

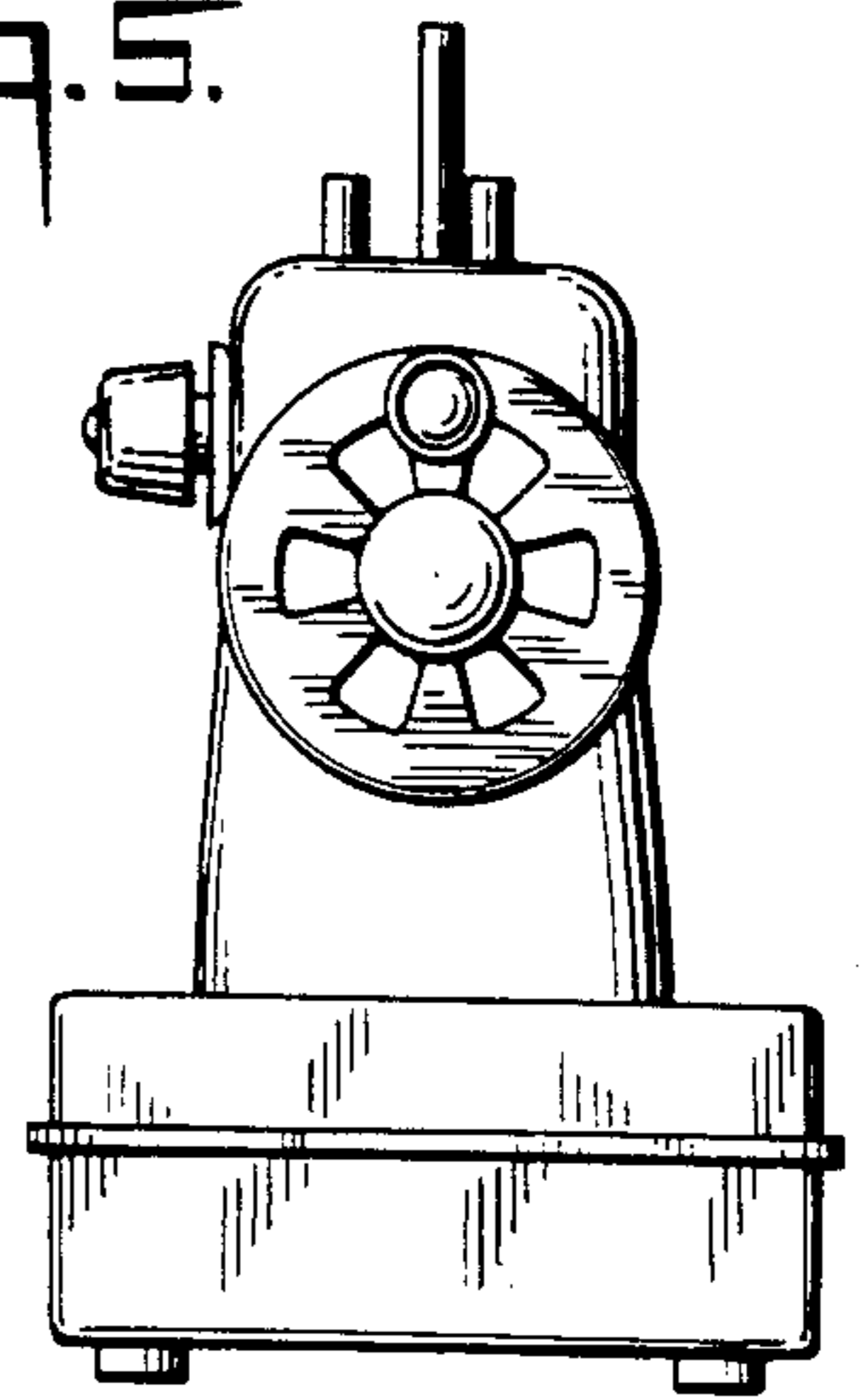


Fig. 2.

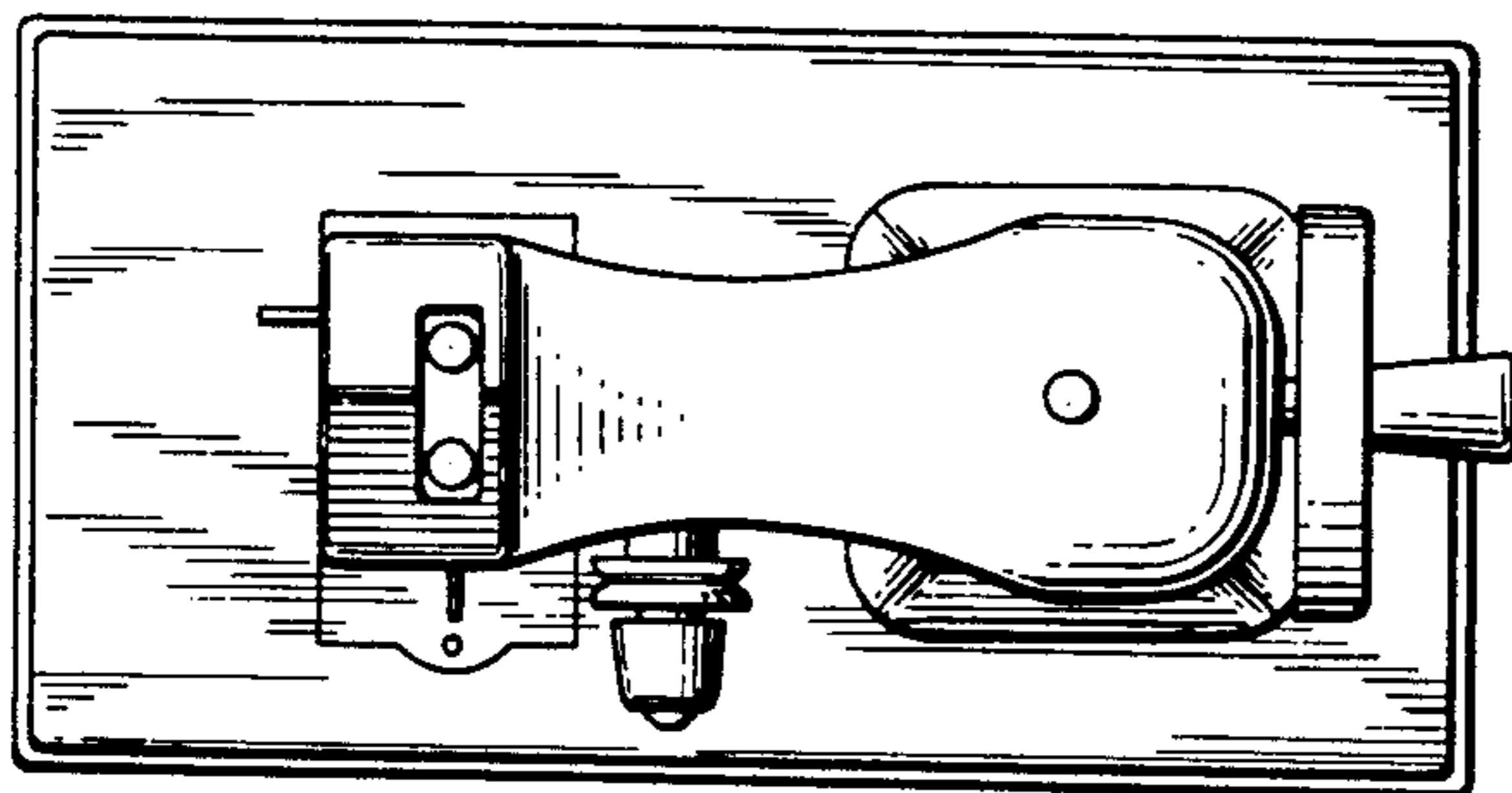


Fig. 6.

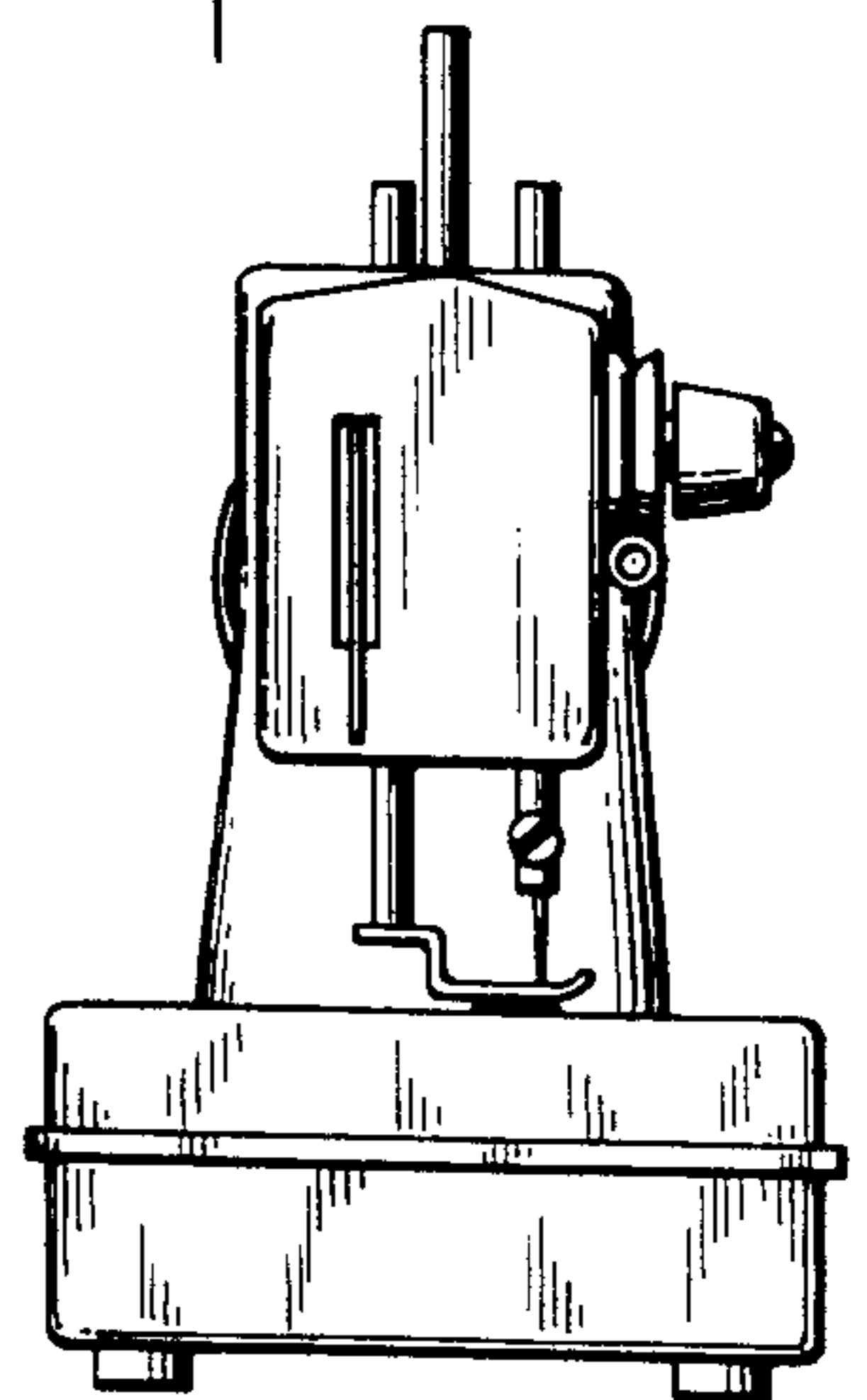


Fig. 3.

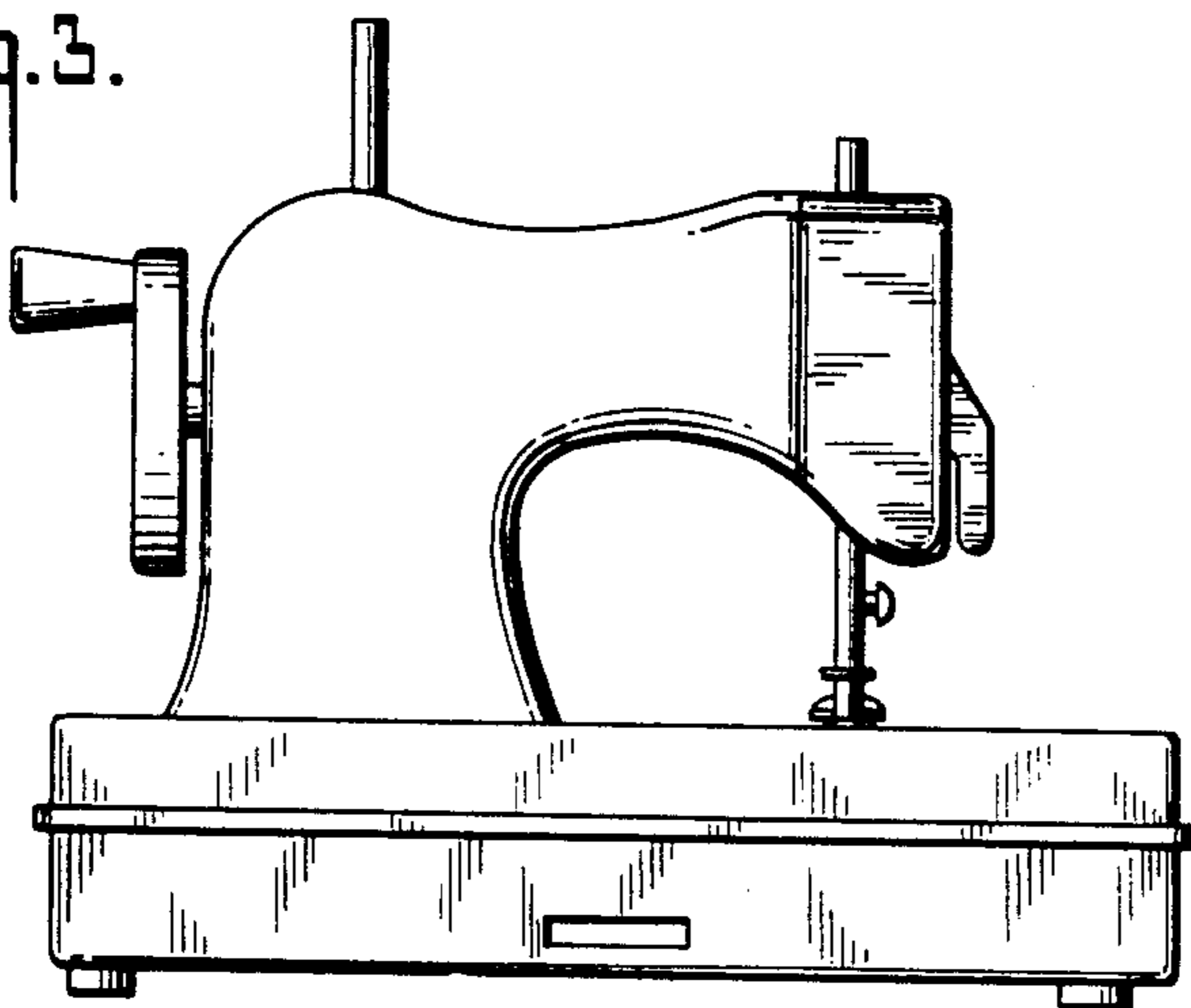


Fig. 4.

