

[54] GOLF TEE AND DIRECTION ALIGNER

[56]

References Cited

U.S. PATENT DOCUMENTS

1,517,555 12/1924 Graham 273/187 R
3,580,584 5/1971 Trosko 273/187 R

Primary Examiner—Melvin B. Feifer
Attorney, Agent, or Firm—Howard L. Johnson

[76] Inventor: James A. Graham, 3620 Spencer St.,
Torrance, Calif. 90503

[**] Term: 14 Years

[57] CLAIM

[21] Appl. No.: 635,586

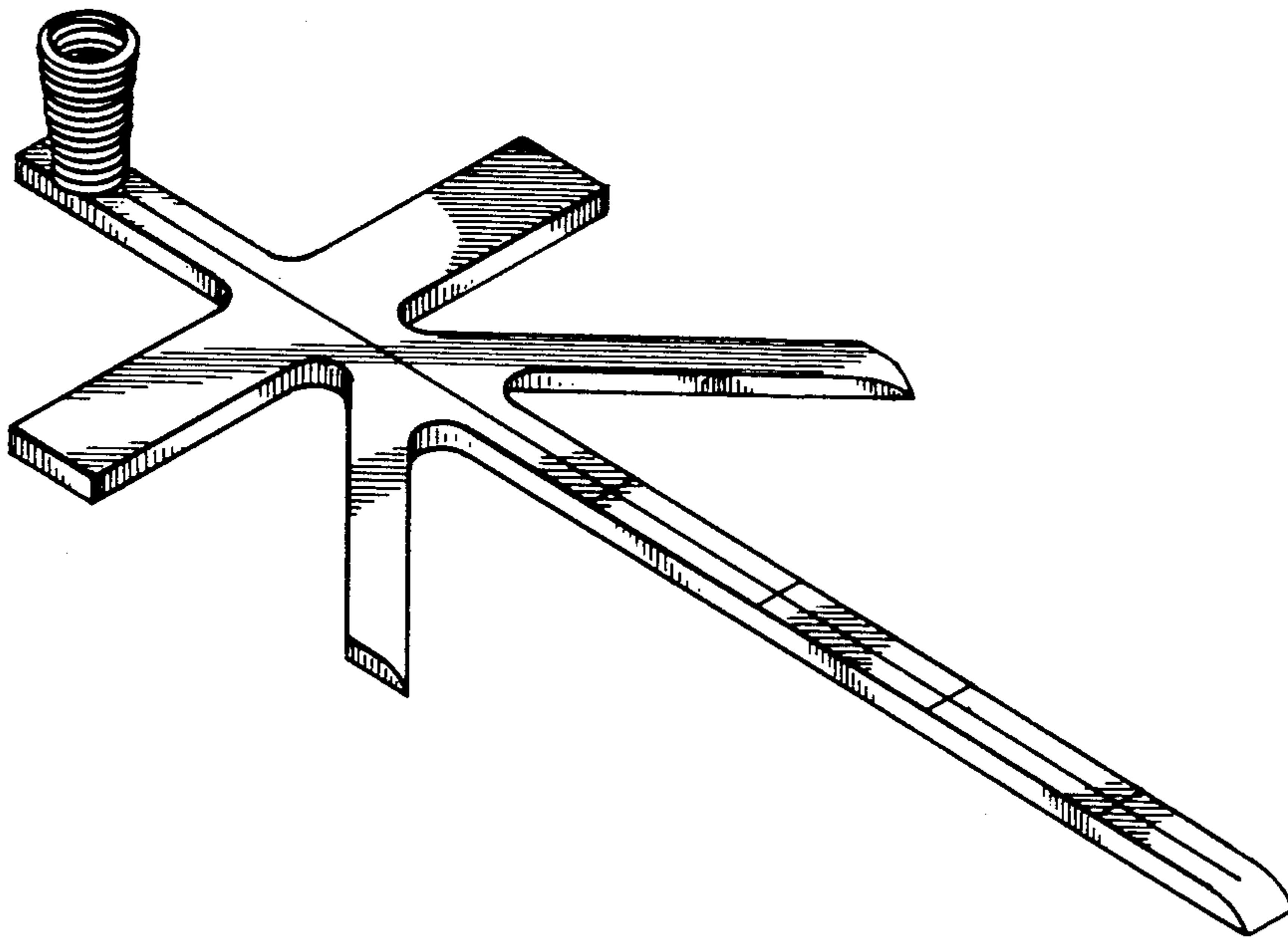
The ornamental design for a golf tee and direction aligner, substantially as shown.

[22] Filed: Nov. 28, 1975

DESCRIPTION

[51] Int. Cl. D21-02
[52] U.S. Cl. D34/5 CB
[58] Field of Search D34/5 CB; 273/187 R,
273/187 A

FIG. 1 is a top plan view of my golf tee and direction aligner, showing my new design.
FIG. 2 is a side elevational view thereof.
FIG. 3 is a bottom plan view thereof.
FIG. 4 is an elevational view as seen from the right end.
FIG. 5 is a perspective view as seen from above.



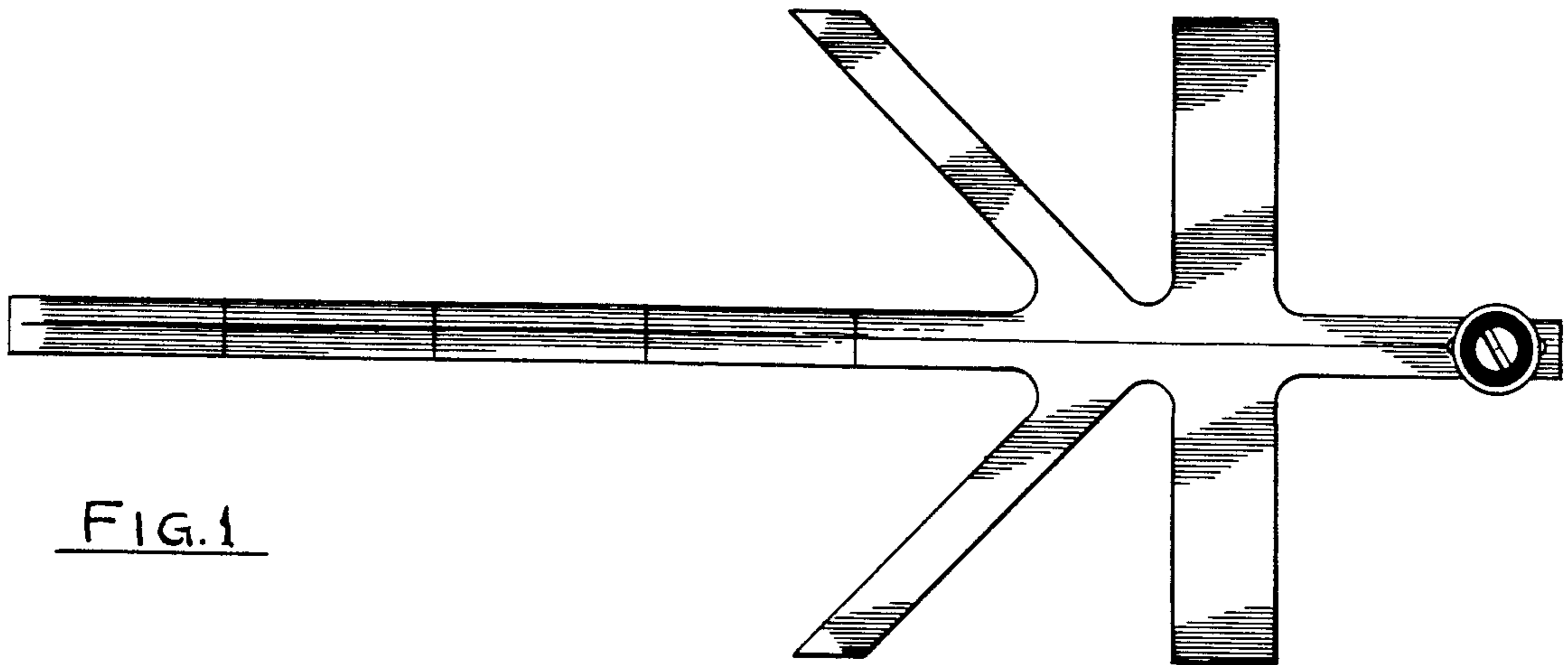


FIG. 1

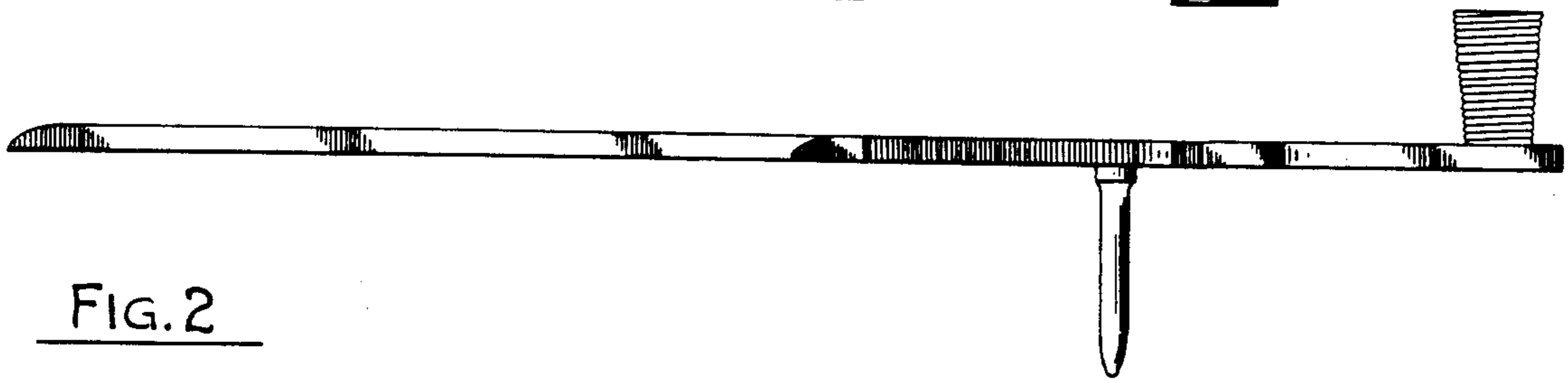


FIG. 2

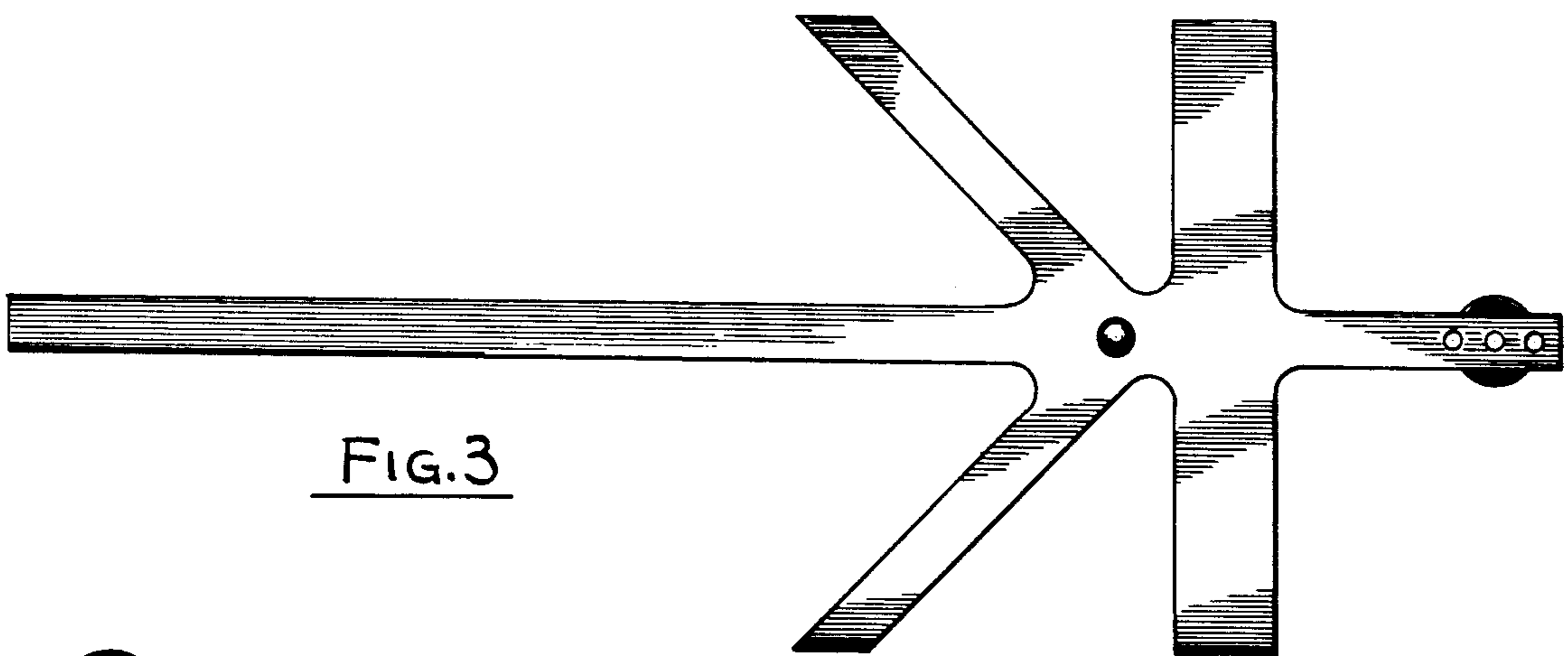


FIG. 3

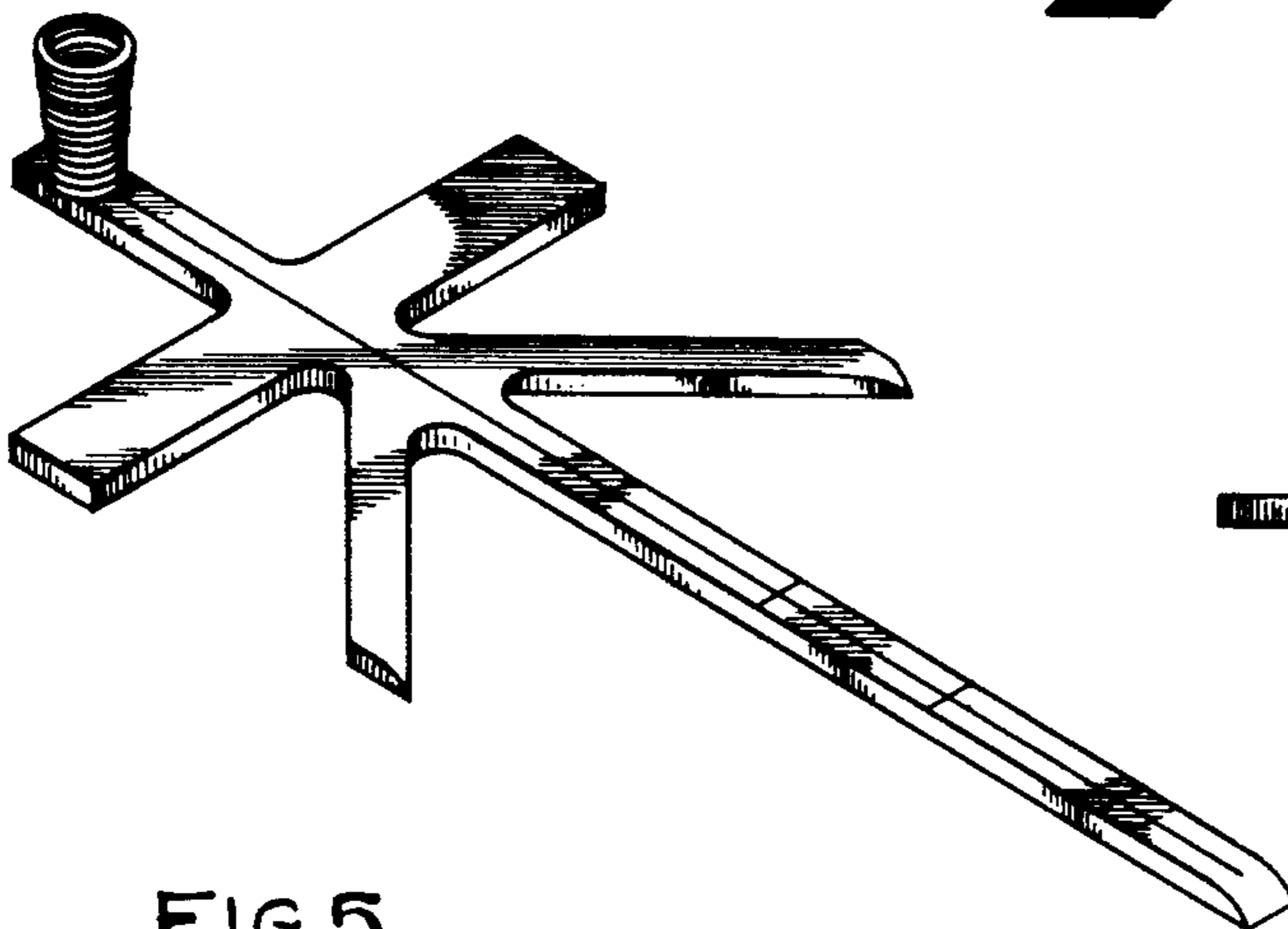


FIG. 5

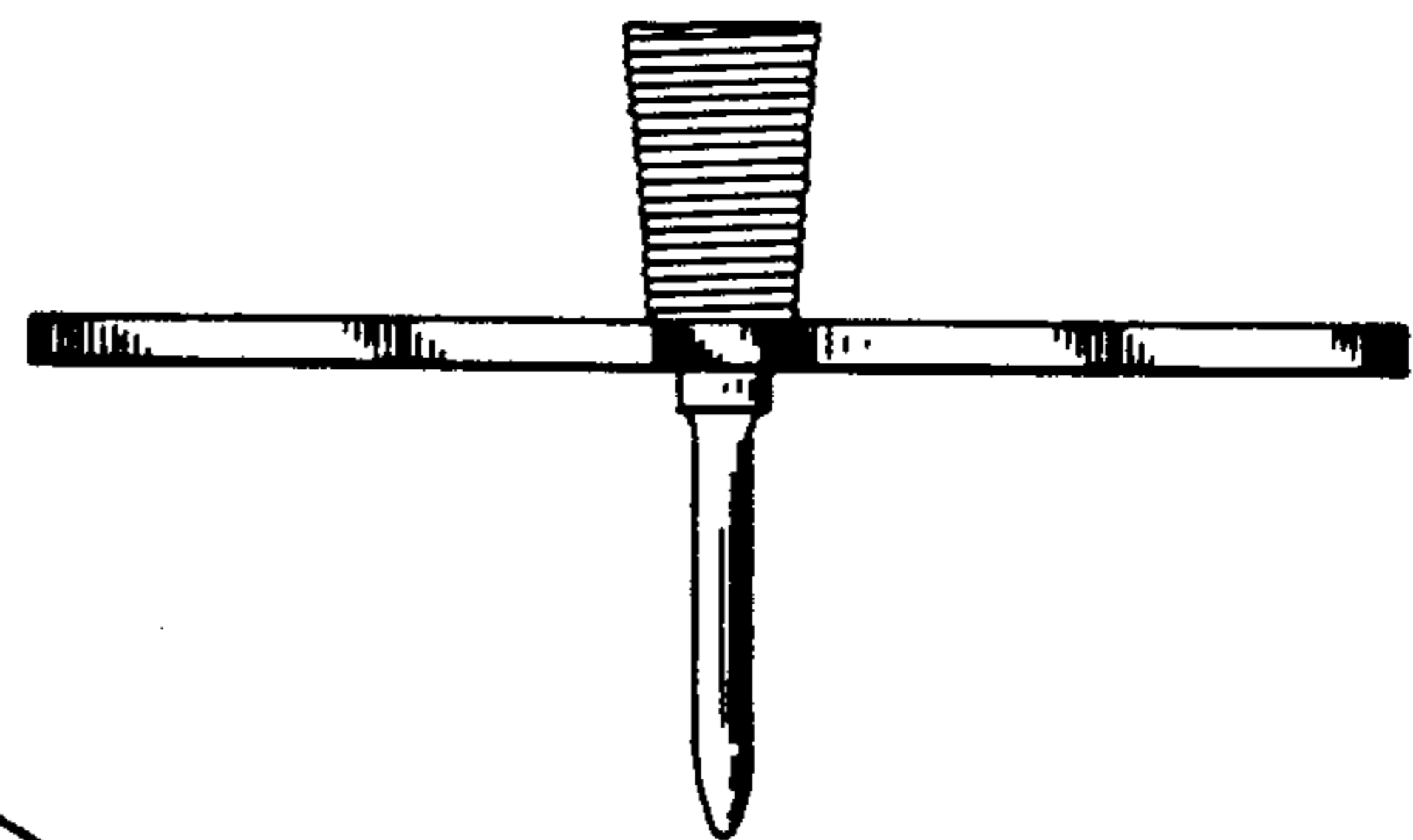


FIG. 4