

[54] DISC-TYPE DATA FILE

[75] Inventor: Otto R. Butsch, Ann Arbor, Mich.

[73] Assignee: Sycor, Inc., Ann Arbor, Mich.

[**] Term: 14 Years

[21] Appl. No.: 634,485

[22] Filed: Nov. 24, 1975

[51] Int. Cl. D14-02

[52] U.S. Cl. D26/5 C

[58] Field of Search D26/5 R, 5 C; D64/11 R, D64/11 B, 11 C

[56] References Cited

U.S. PATENT DOCUMENTS

D. 232,735 9/1974 Kinsey et al. D26/5 C

OTHER PUBLICATIONS

Analex Catalog, No. 1064-5M, rec'd 7-21-67, p. 9, disk file.

Industrial Design, 12-73, p. 26, Data Module.

Primary Examiner—Wallace R. Burke

Assistant Examiner—Christine M. Nucker

Attorney, Agent, or Firm—Peter P. Price

[57] CLAIM

The ornamental design for a disc-type data file, substantially as shown and described.

DESCRIPTION

FIG. 1 is a perspective view of the disc-type data file, with legs and with recess for a circuit board;

FIG. 2 is a side elevational view of one side of the data file of FIG. 1;

FIG. 3 is a side elevation view of the other side of the data file of FIG. 1;

FIG. 4 is an overhead plan view of the data file of FIG. 1;

FIG. 5 is a bottom plan view of the data file of FIG. 1;

FIG. 6 is a front elevational view of the data file of FIG. 1;

FIG. 7 is a rear elevational view of the data file of FIG. 1;

FIG. 8 is a perspective view of a modified form of the data file of FIG. 1, shown without legs and without the circuit board recess.

FIG. 9 is a perspective view of a further modified form of the data file of FIG. 1, shown without the circuit board recess.

FIG. 10 is a side elevation view of the embodiment of the data file shown in FIG. 9;

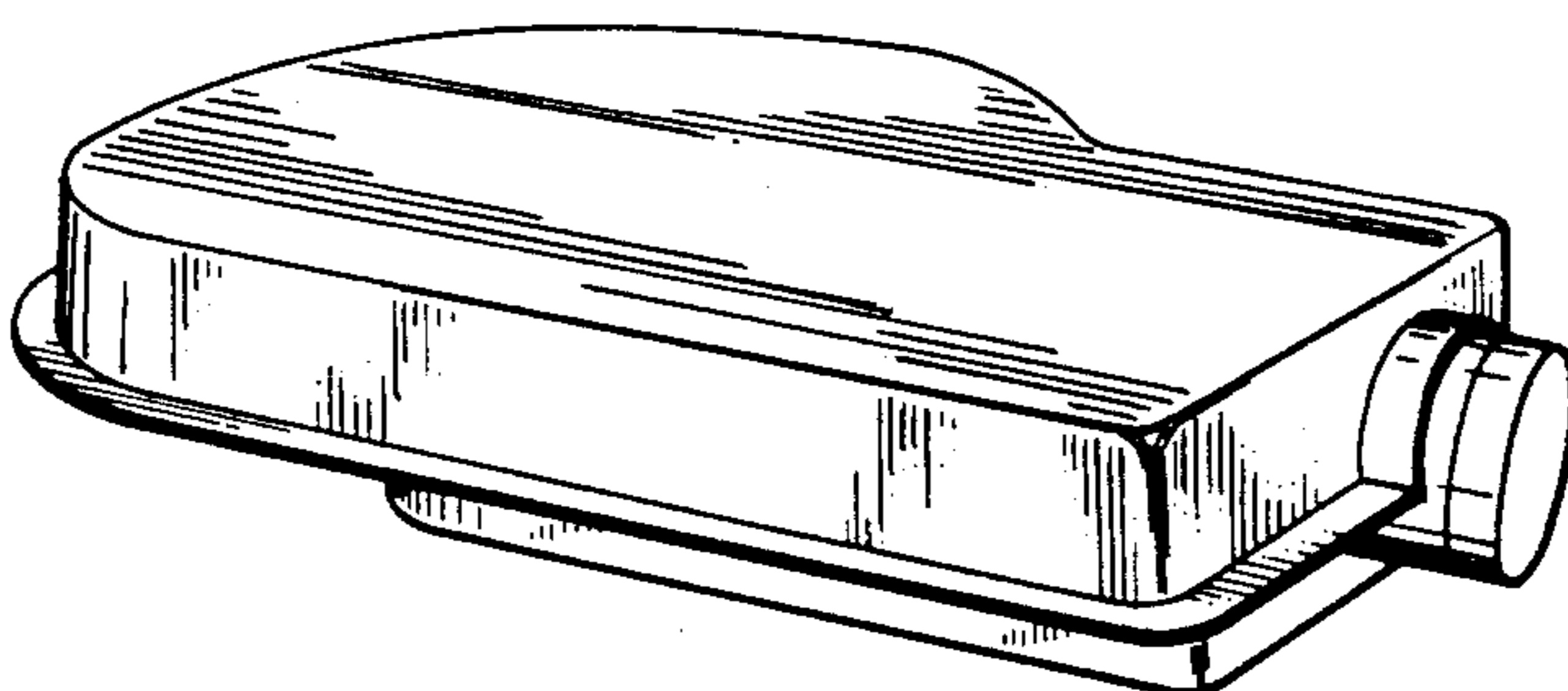
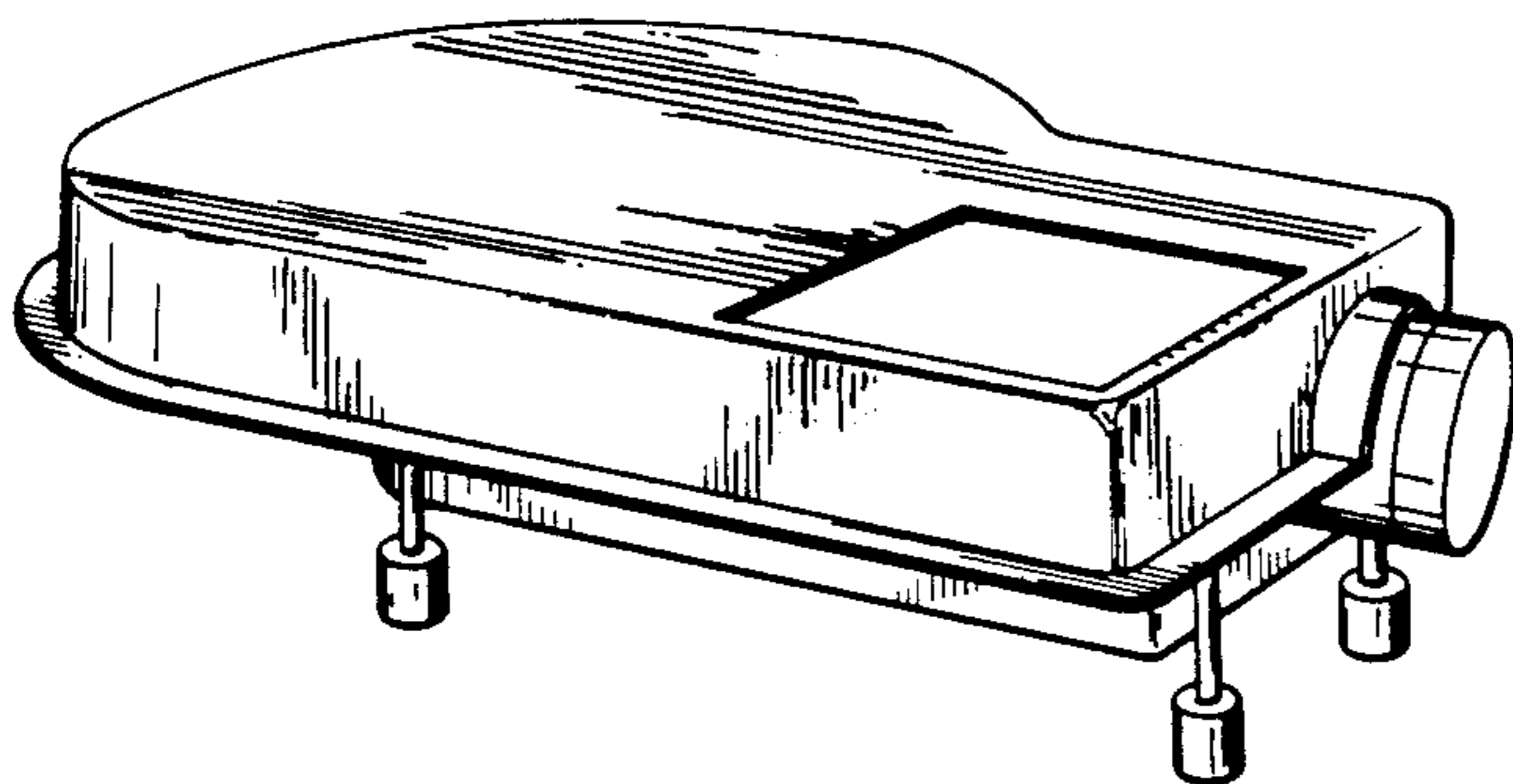
FIG. 11 is an overhead plan view of the embodiment of FIG. 9;

FIG. 12 is a bottom plan view of the embodiment of FIG. 9;

FIG. 13 is a front elevational view of the embodiment of FIG. 9; and

FIG. 14 is a rear elevational view of the embodiment of FIG. 9.

The bottom view of the data file shown in FIG. 8 corresponds to that shown in FIG. 5, but without the four legs.



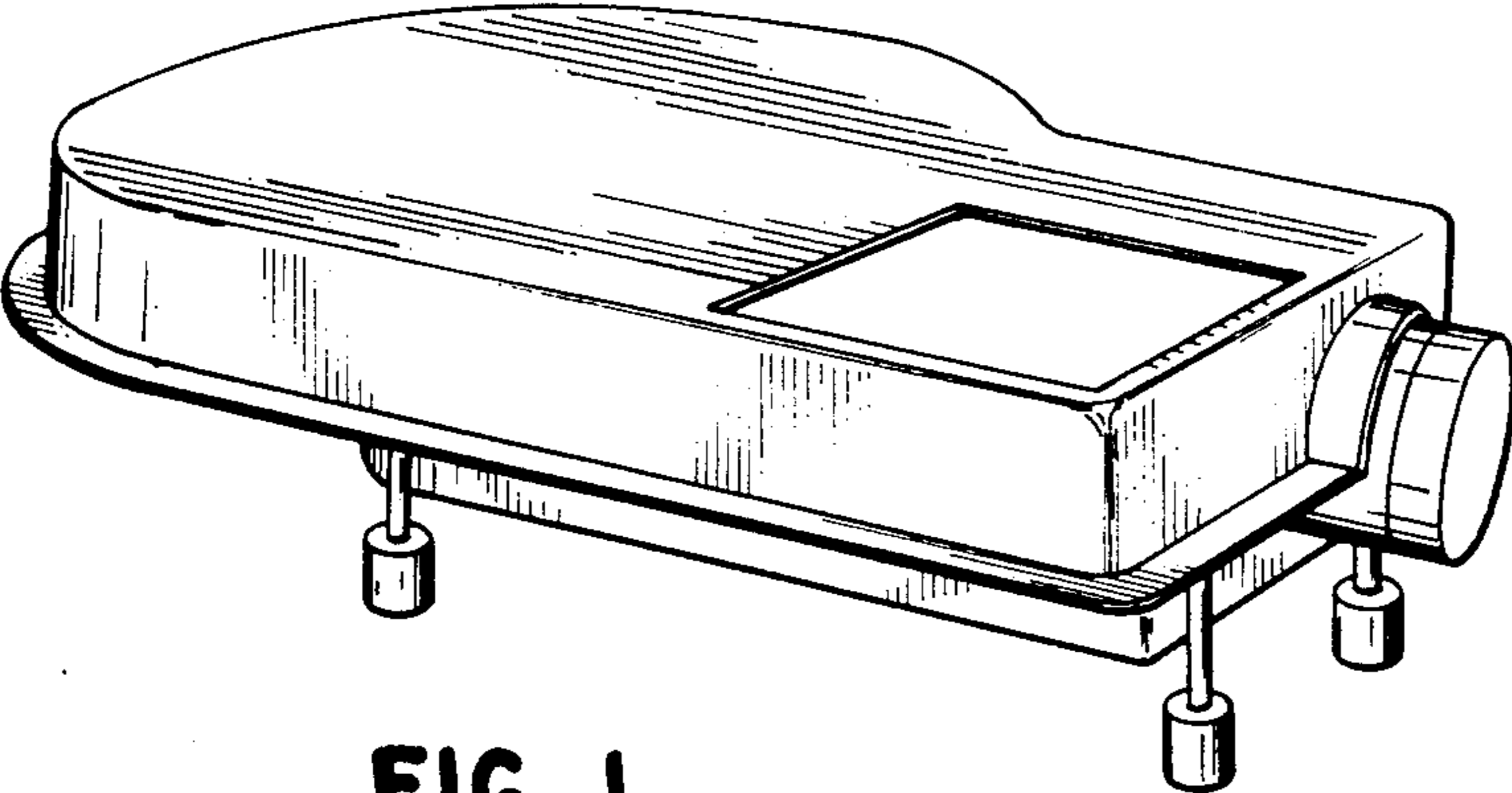


FIG. 1

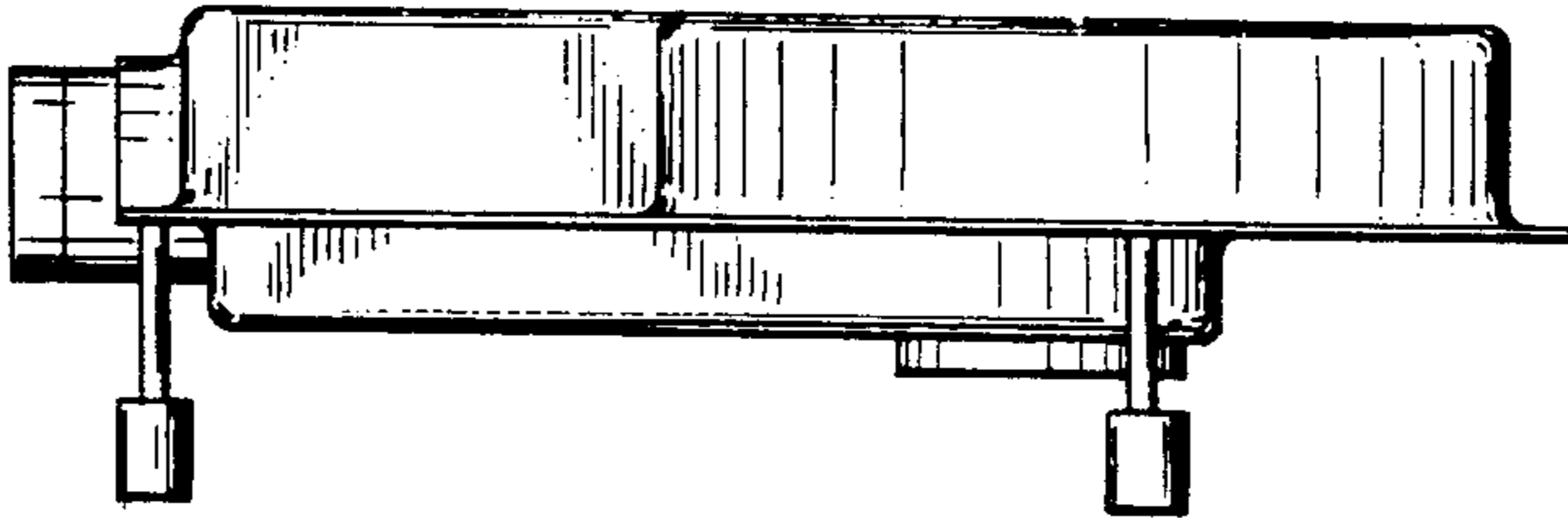


FIG. 2

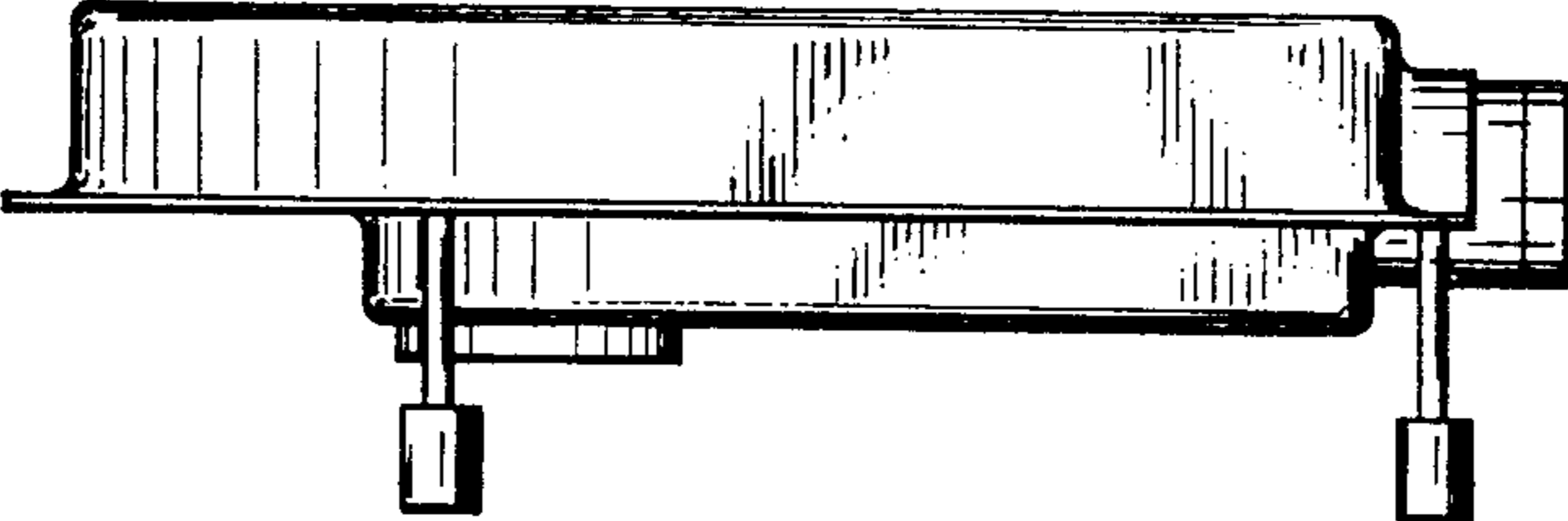


FIG. 3

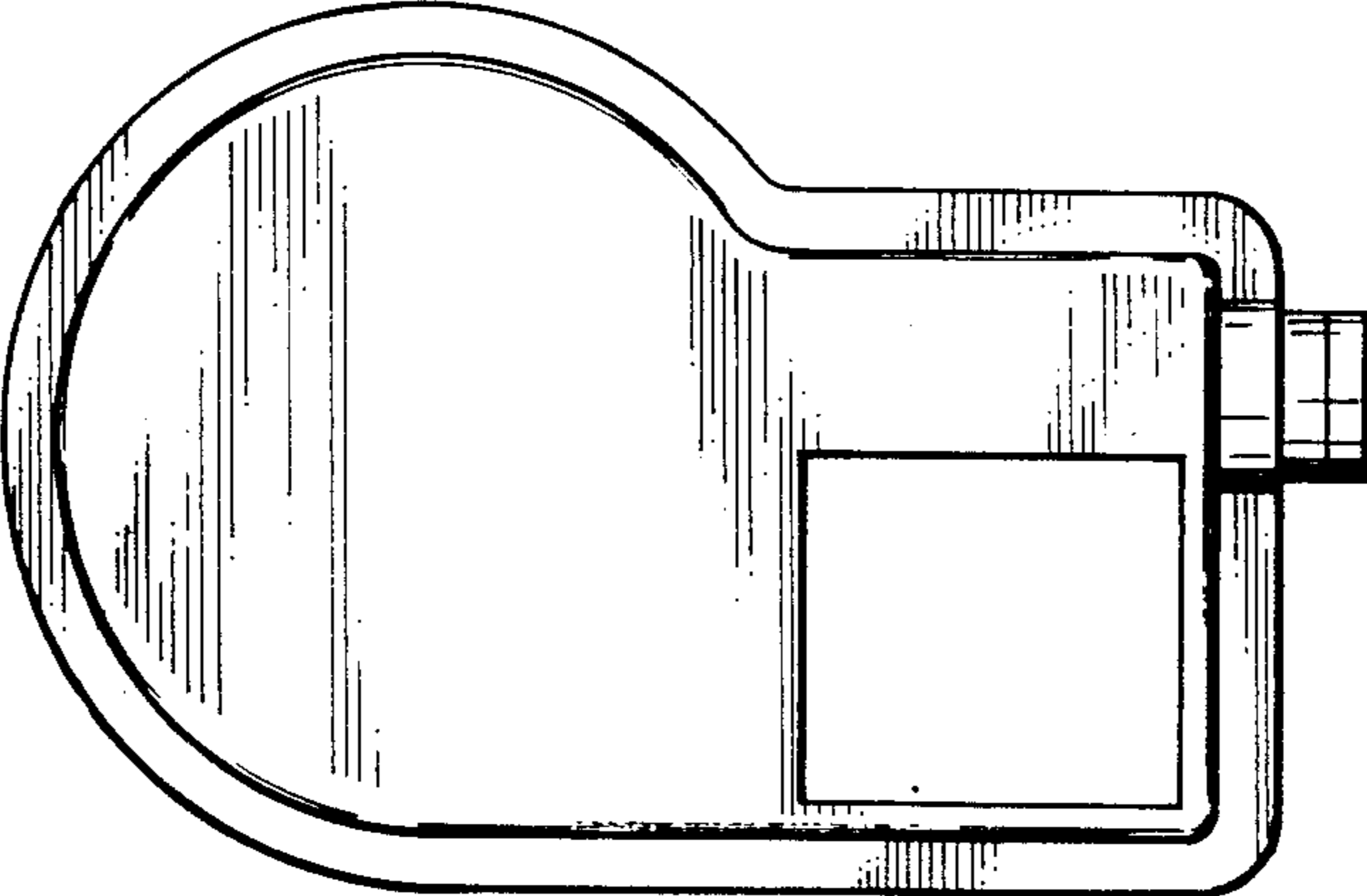


FIG. 4

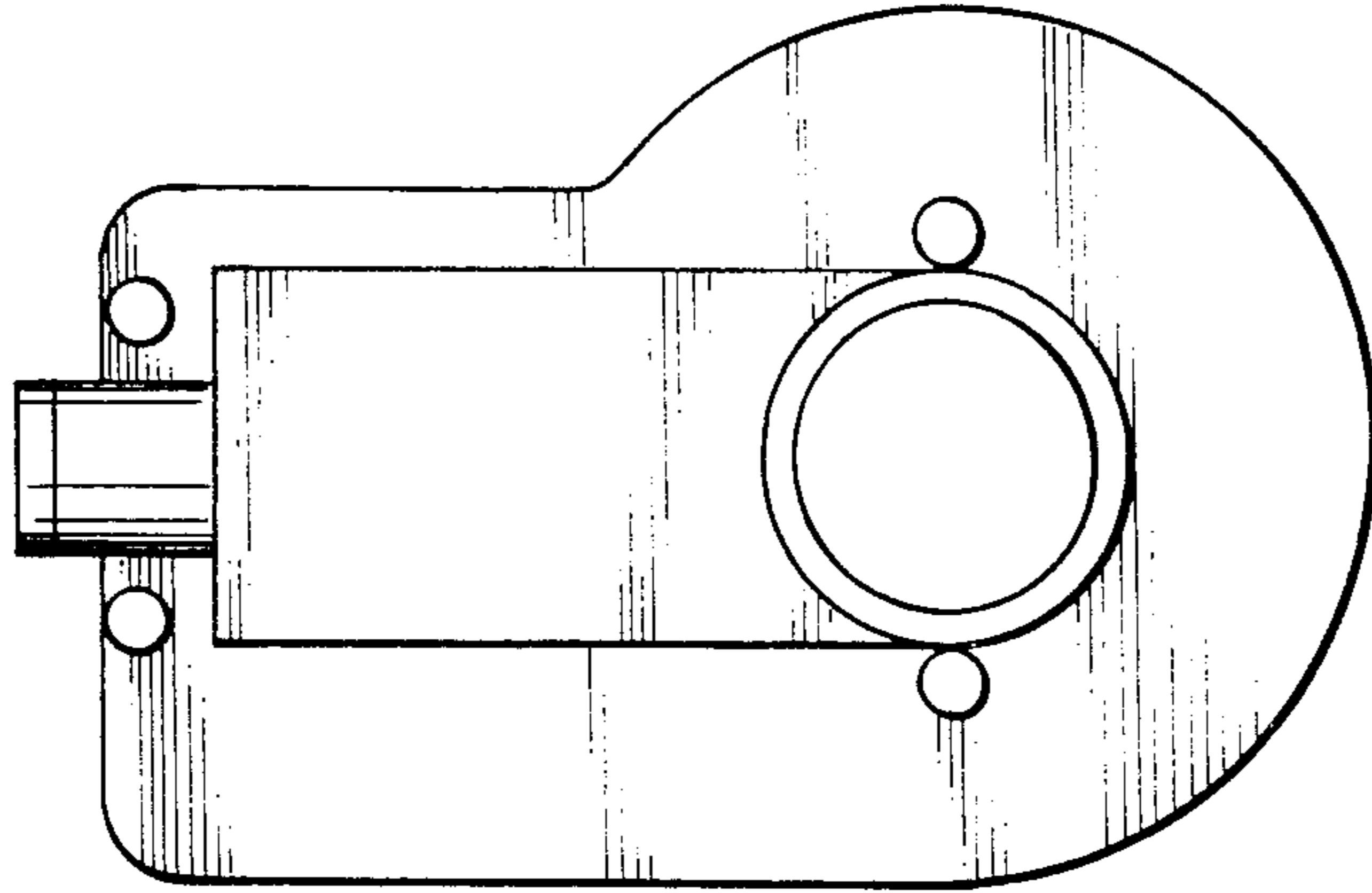


FIG. 5

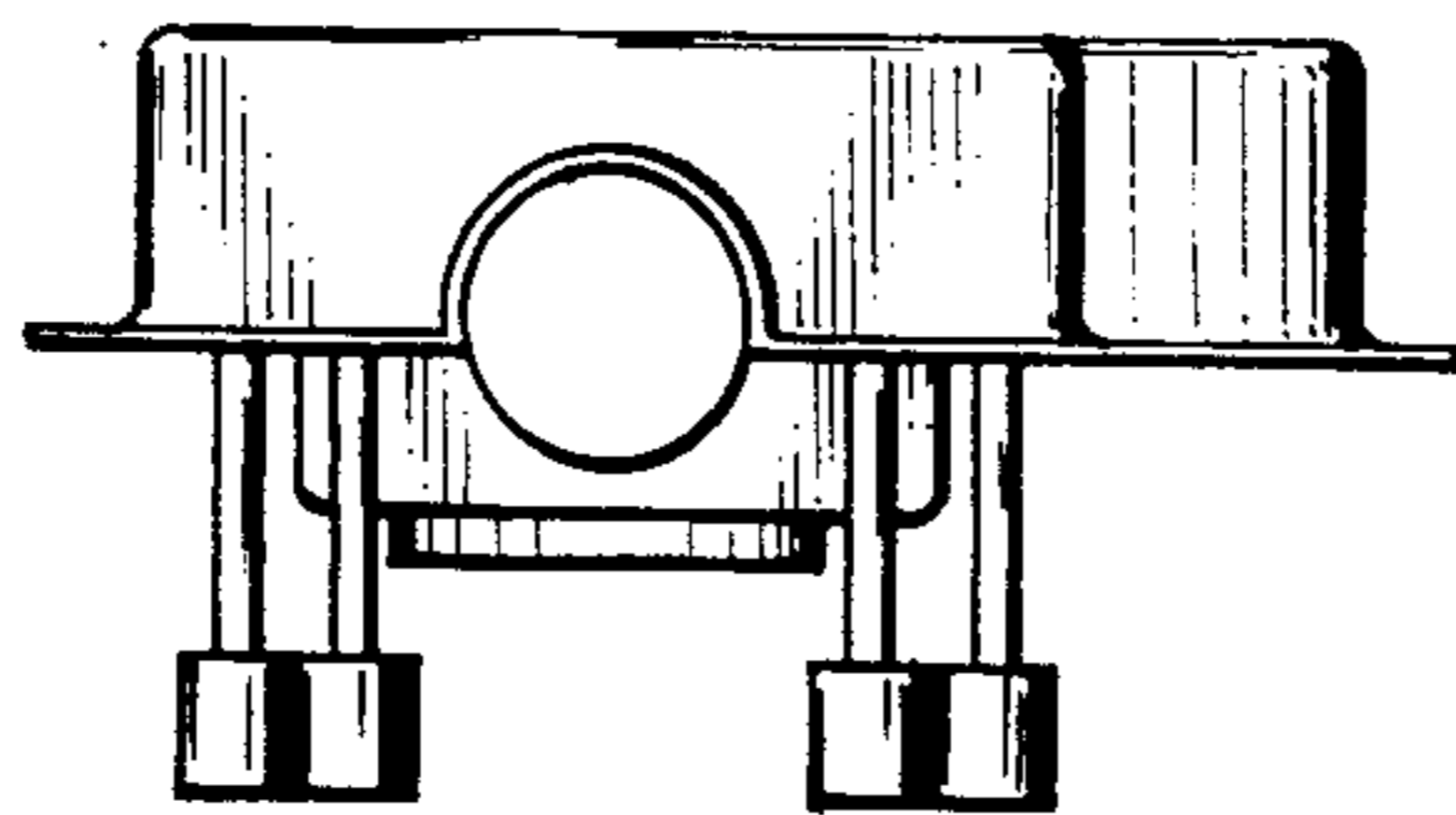


FIG. 6

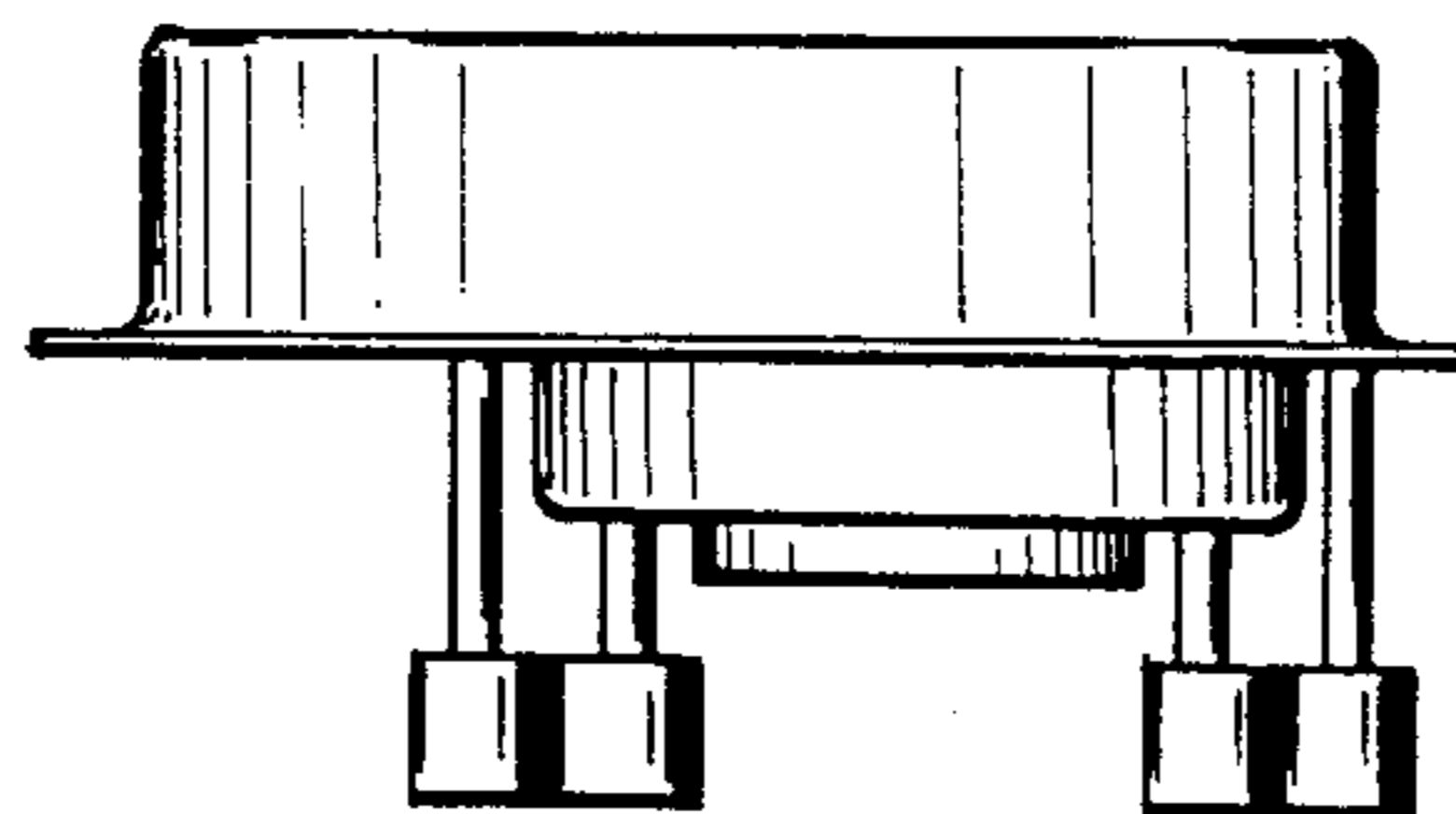


FIG. 7

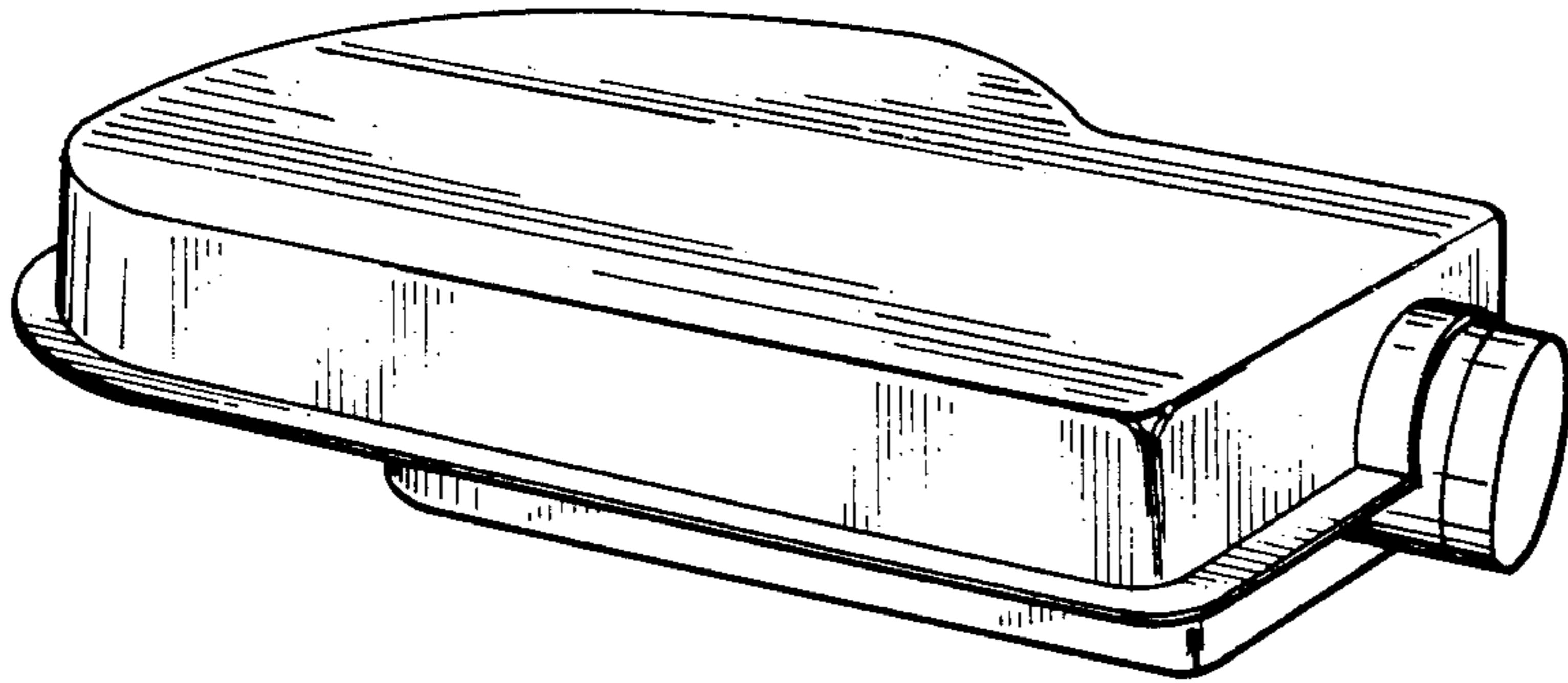


FIG. 8

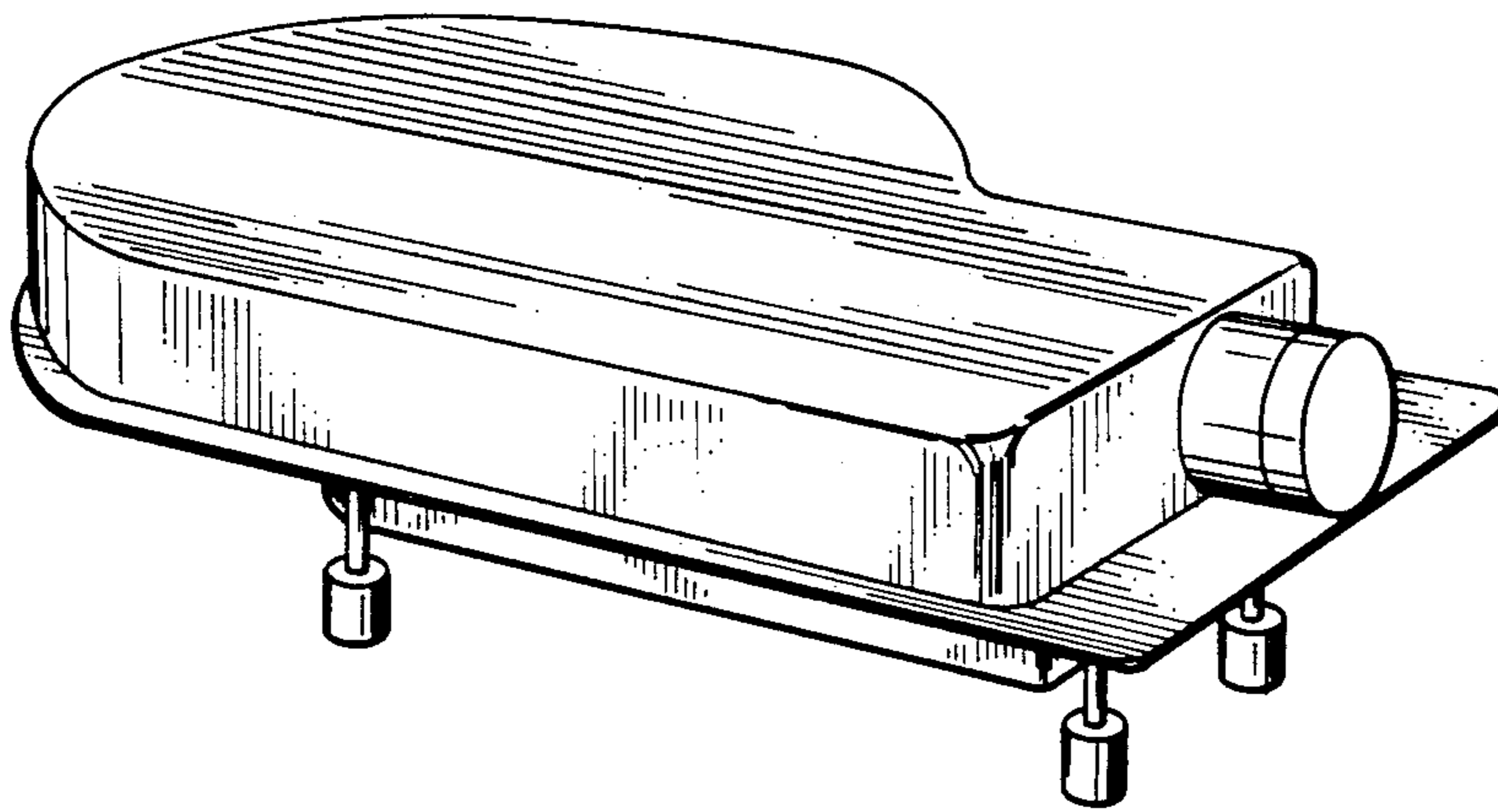


FIG. 9

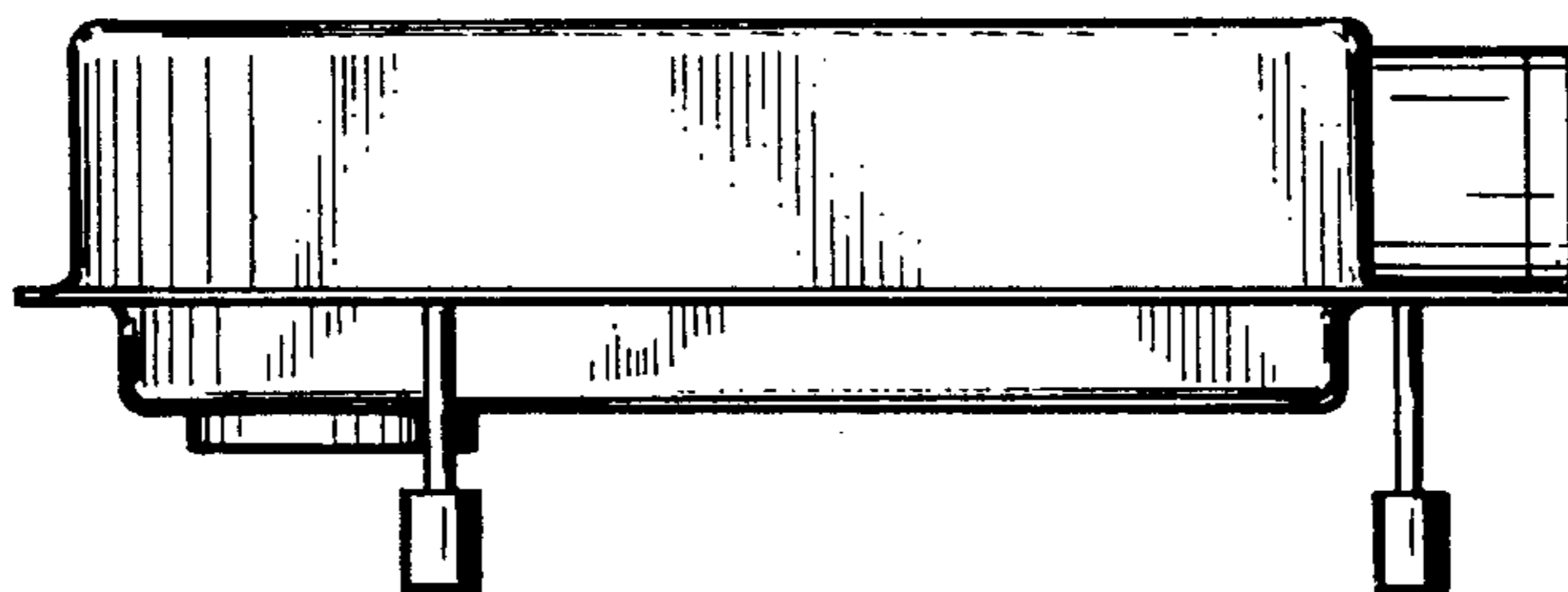


FIG. 10

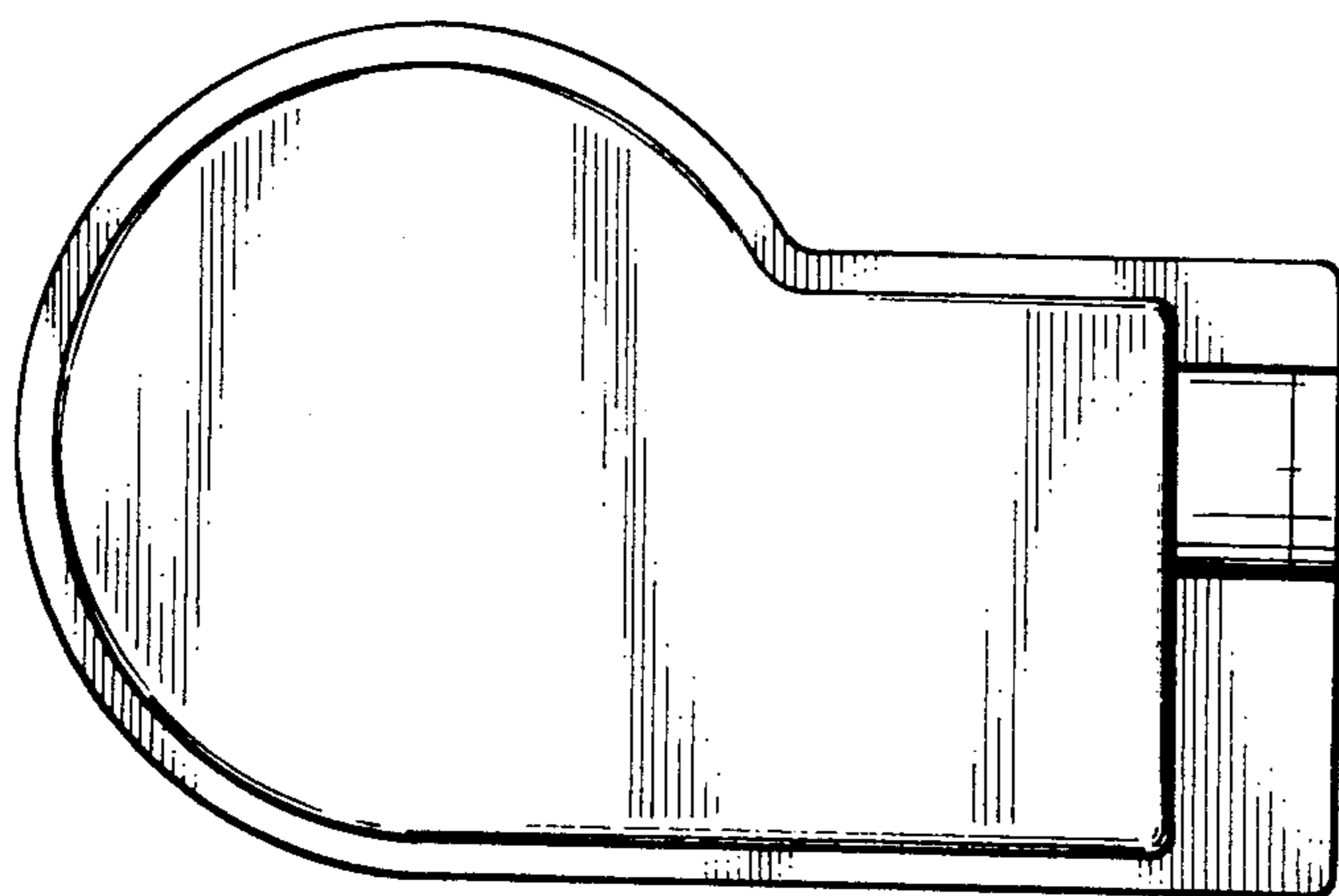


FIG. 11

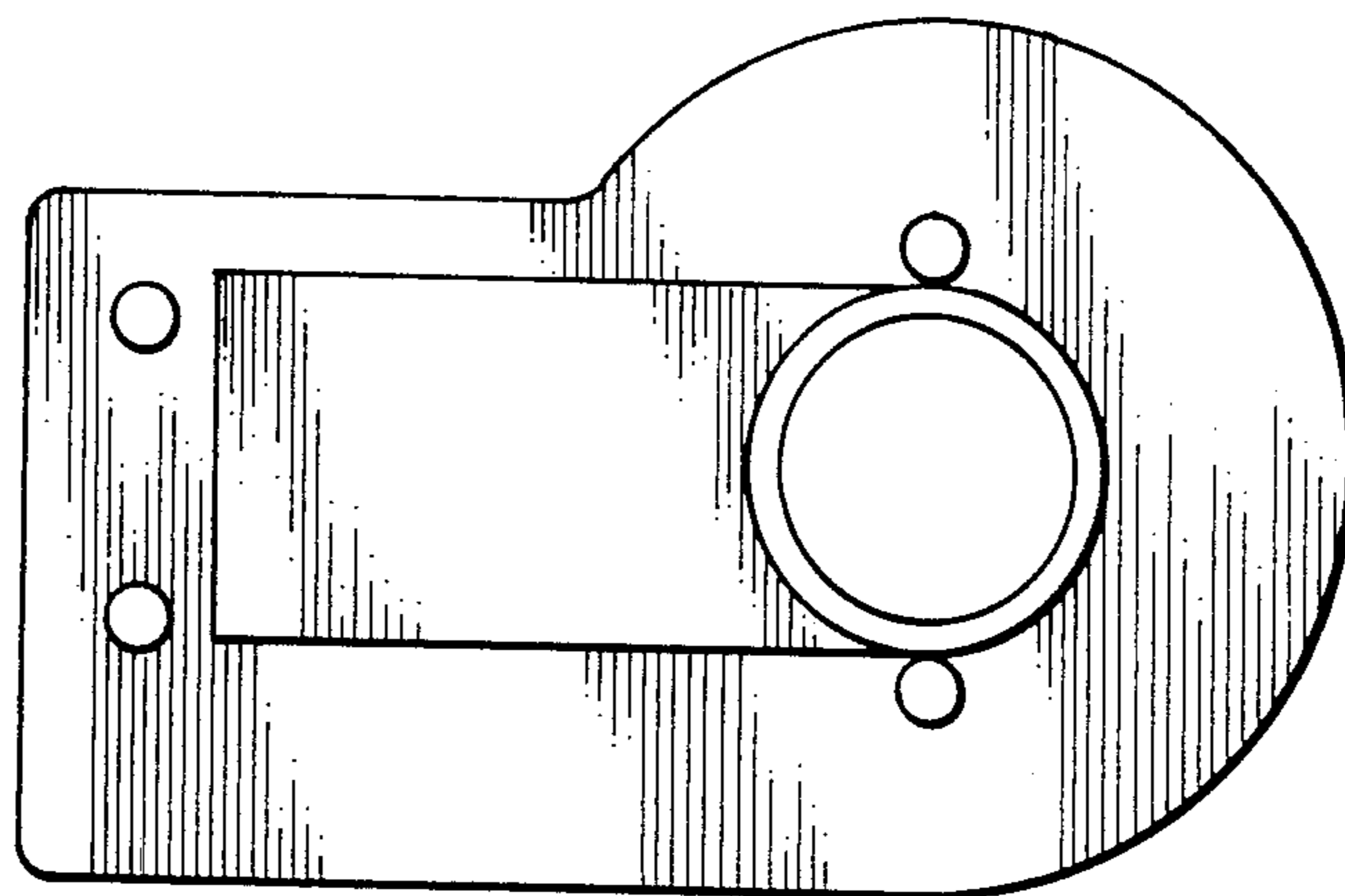


FIG. 12

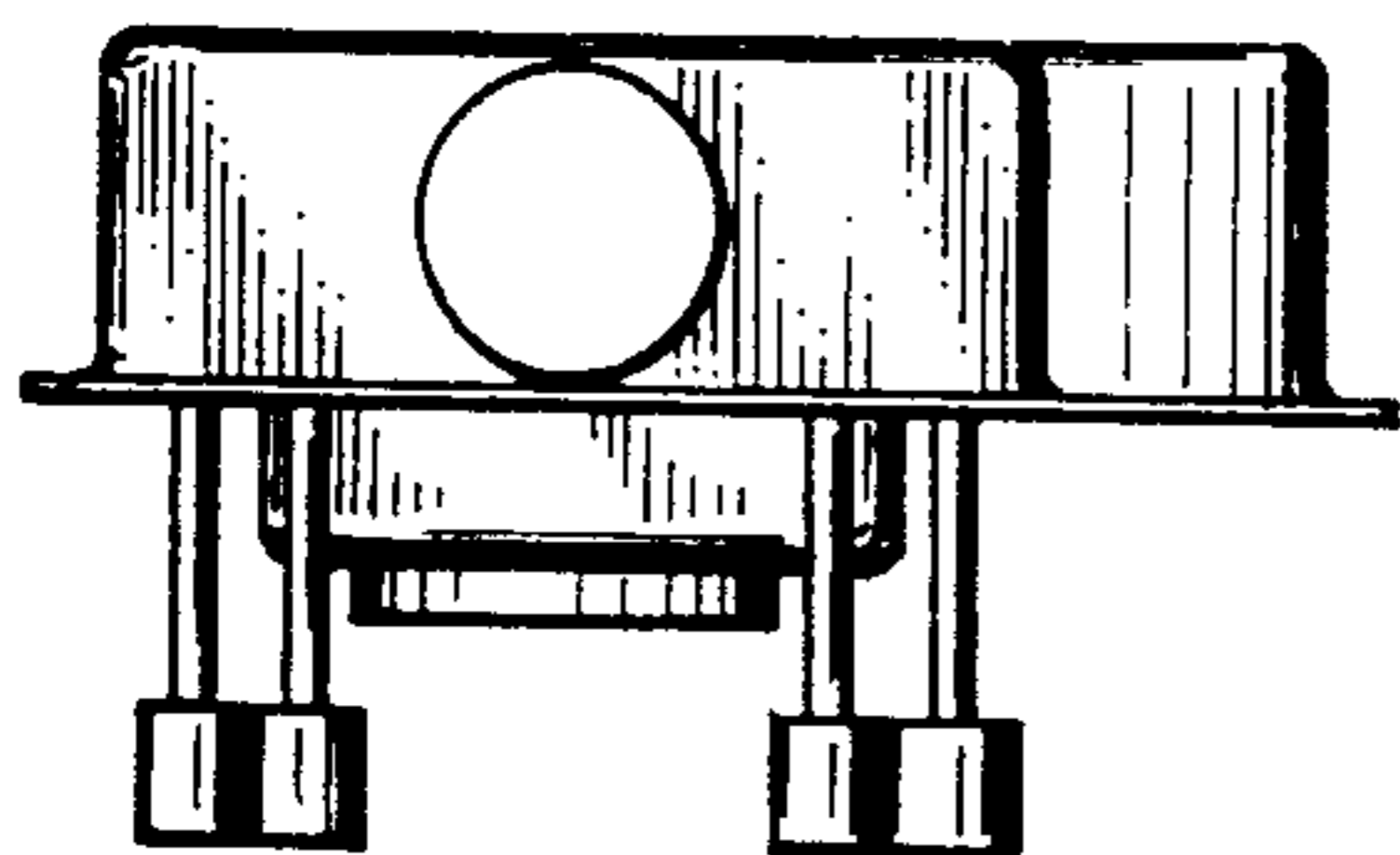


FIG. 13

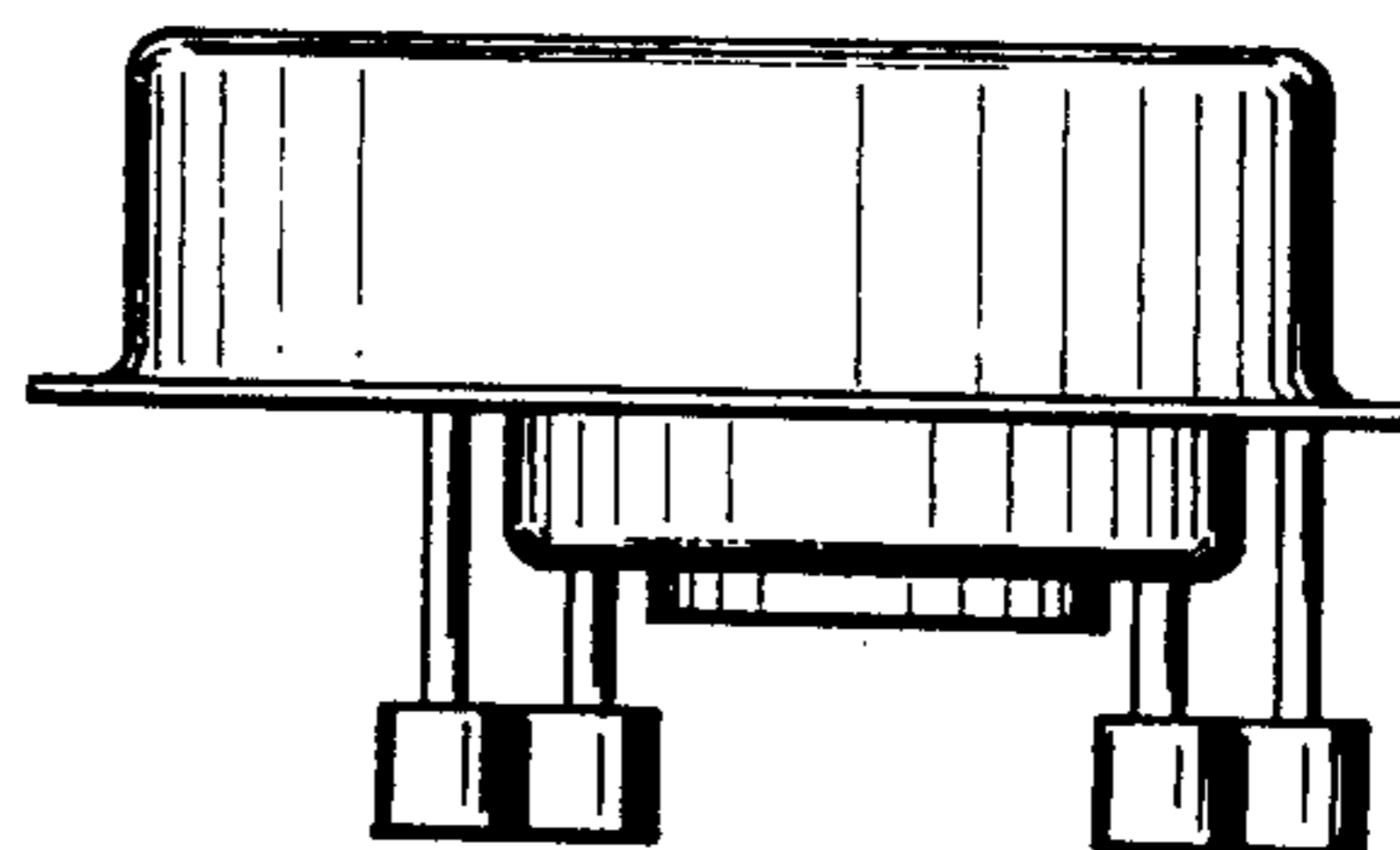


FIG. 14