

[54] ULTRASONIC GENERATOR UNIT HOUSING

[76] Inventor: James W. McCord, 9829  
Timberwood Circle, Louisville, Ky.  
40223

[\*\*] Term: 14 Years

[21] Appl. No.: 538,319

[22] Filed: Jan. 3, 1975

[51] Int. Cl. .... D13-01

[52] U.S. Cl. .... D13/1

[58] Field of Search ..... D49/11; D26/5 R, 5 A;  
D87/1 R; 116/37, 137 R, 137 A, 138;  
340/283, 258 R, 258 A, 273, 276; D10/116,  
120

[56] References Cited

U.S. PATENT DOCUMENTS

D. 191,611 10/1961 Kearney ..... D49/11  
D. 223,096 3/1972 Gilson ..... D26/5 R

Primary Examiner—Wallace R. Burke  
Attorney, Agent, or Firm—Charles G. Lamb

[57] CLAIM

The ornamental design for an ultrasonic generator unit housing, substantially as shown and described.

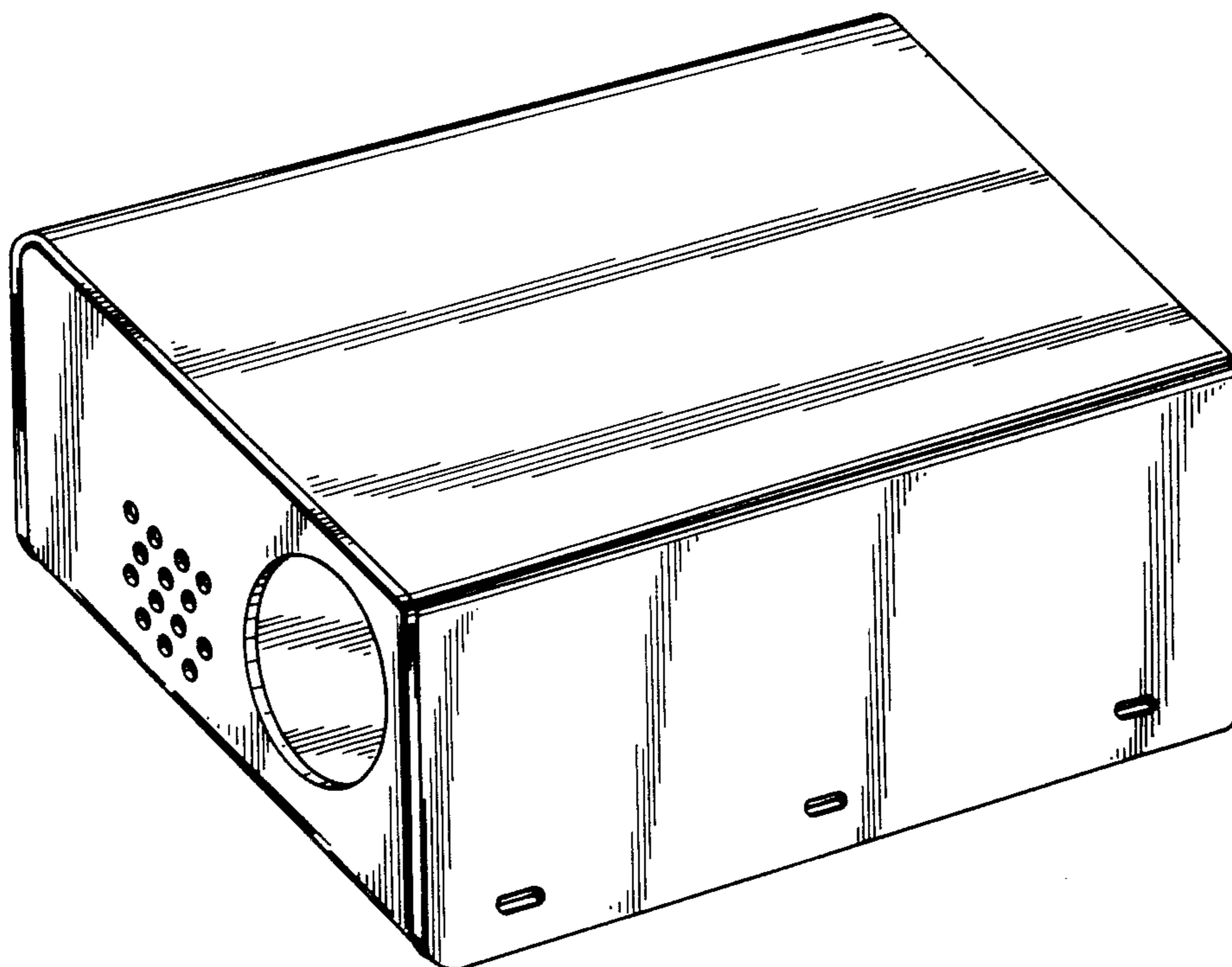
DESCRIPTION

FIG. 1 is a perspective view of the ultrasonic generator unit housing, as seen from the back and one side, showing my new design;

FIG. 2 is a front view in elevation of the ultrasonic generator unit housing of FIG. 1;

FIG. 3 is a perspective view of the ultrasonic generator unit housing of FIG. 1, as seen from the bottom and one side; and,

FIG. 4 is a back view in elevation of the ultrasonic generator unit housing of FIG. 1.



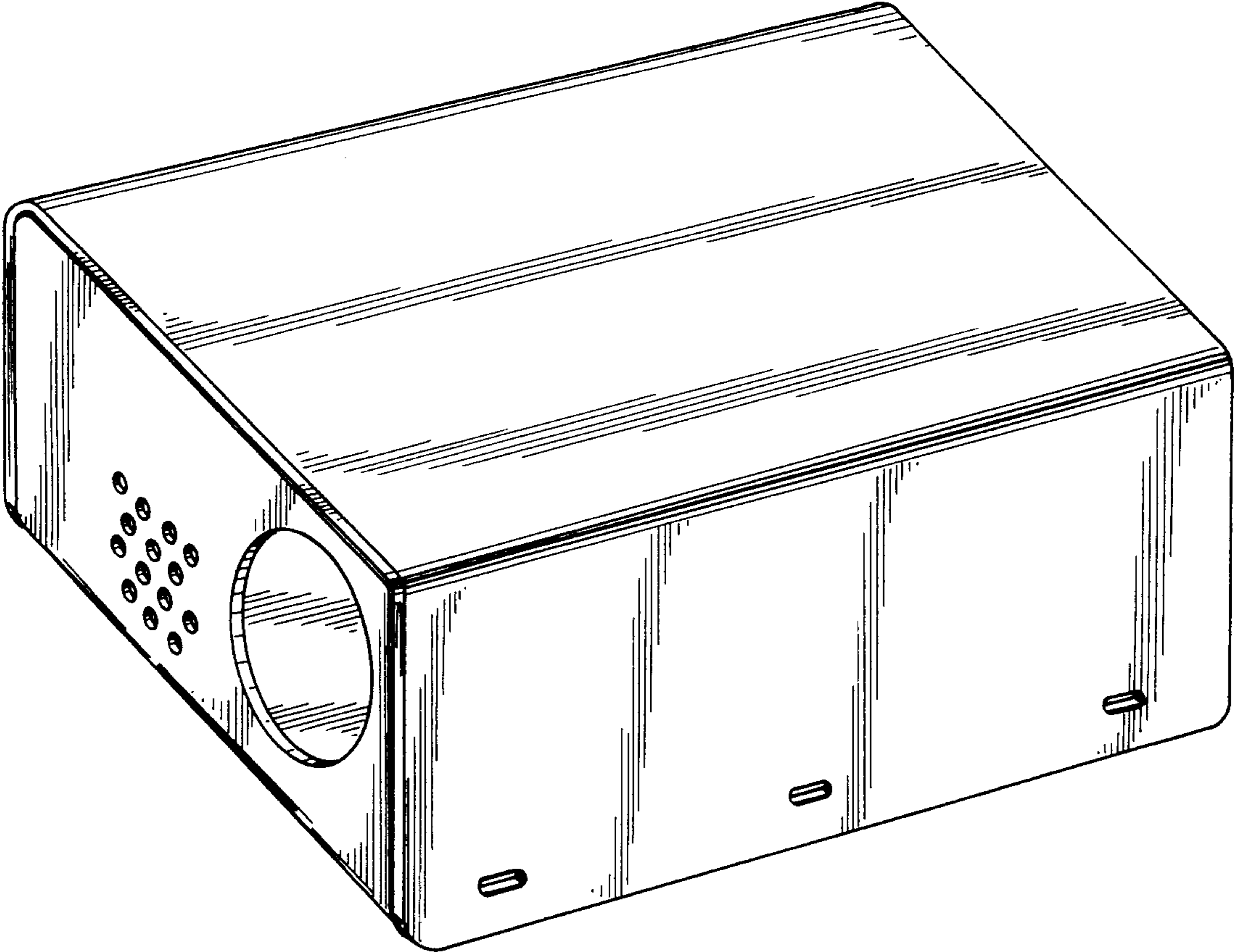


FIG. 1

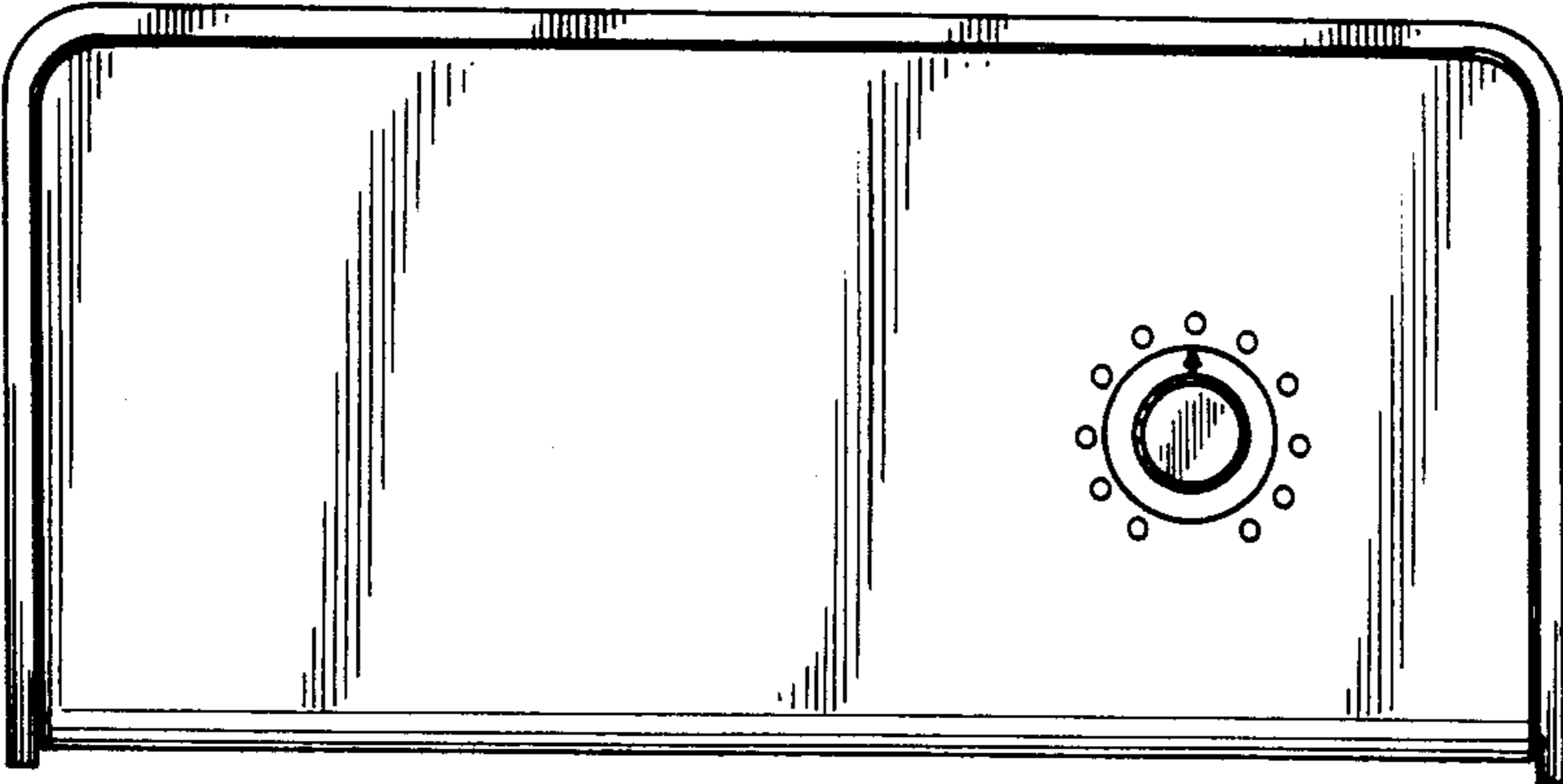


FIG. 2

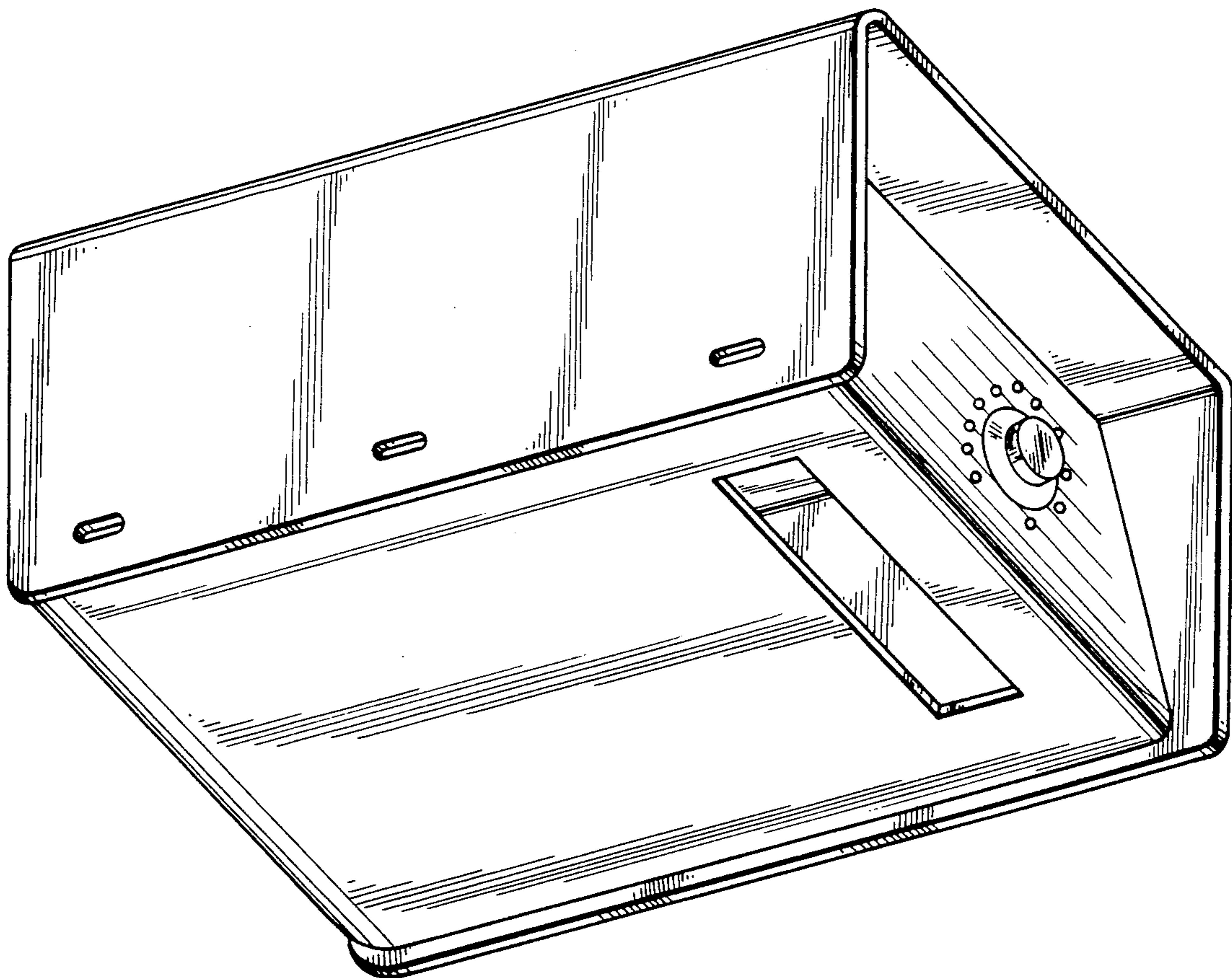


FIG. 3

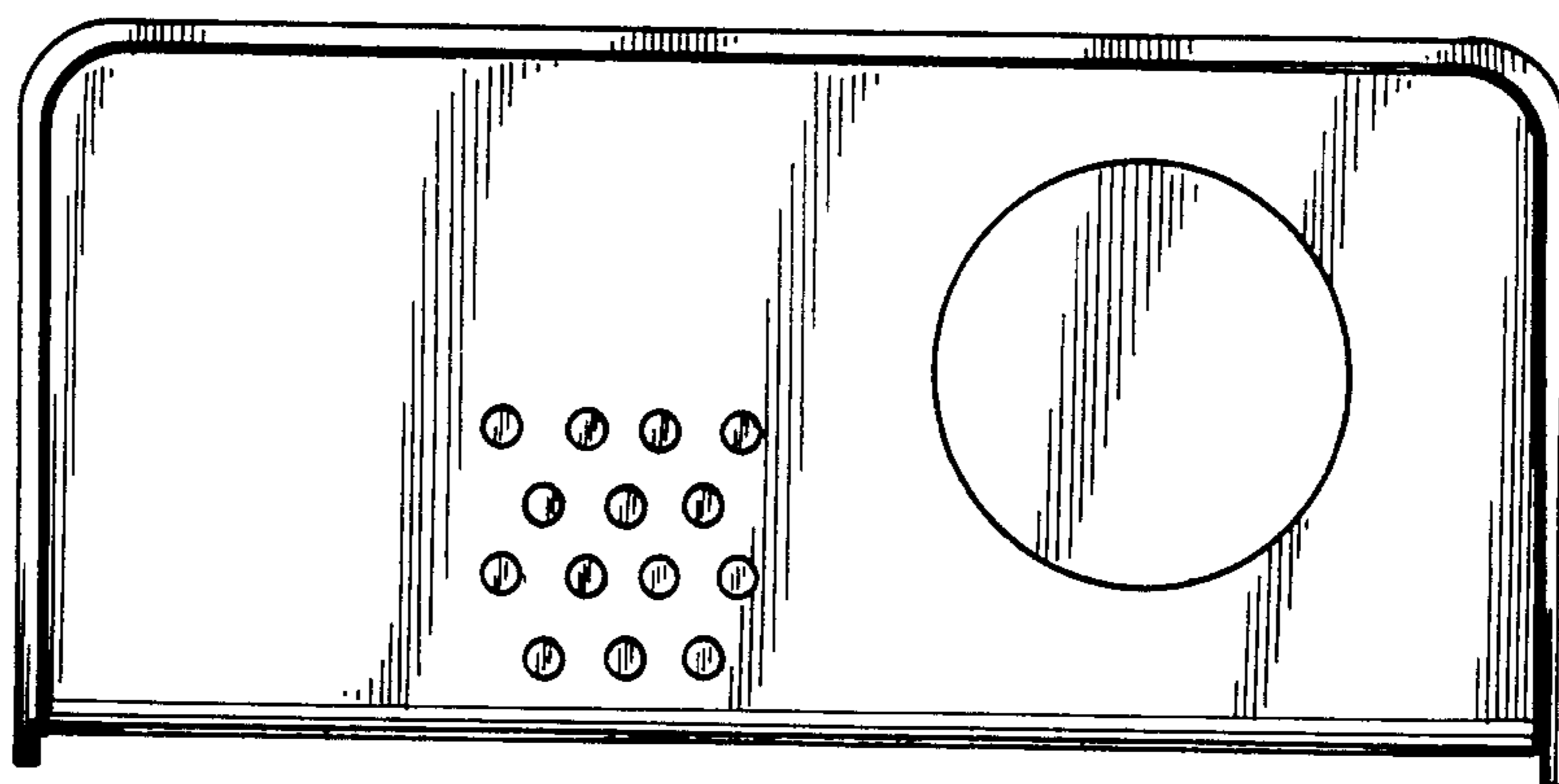


FIG. 4