

[54] DECORATIVE PLASTIC COVER FOR DOORS

[75] Inventor: Warren G. Stichtenoth, Cincinnati, Ohio

[73] Assignee: American Standard Inc., New York, N.Y.

[**] Term: 14 Years

[21] Appl. No.: 533,399

[22] Filed: Dec. 16, 1974

[51] Int. Cl. D25-01

[52] U.S. Cl. D25/92

[58] Field of Search D13/1 J, 1 M; D54/2 A, D54/2 B; D18/2 R, 2 B; 52/588, DIG. 2

[56] References Cited

U.S. PATENT DOCUMENTS

3,608,262 9/1971 Smith 52/588 X
D. 213,248 1/1969 Orr D13/1 J

FOREIGN PATENT DOCUMENTS

1,012,211 12/1965 United Kingdom D13/1 J

OTHER PUBLICATIONS

L'Architecture d'Aupurd'hui, Oct.-Nov. 1958, p. 116, panel in top right illustration.

Homeshield Products folding doors brochure, © 1962, p. 2, plantation design.

Primary Examiner—A. Hugo Word

Attorney, Agent, or Firm—James J. Salerno, Jr.

[57] CLAIM

The ornamental design for a decorative plastic cover for doors, substantially as shown and described.

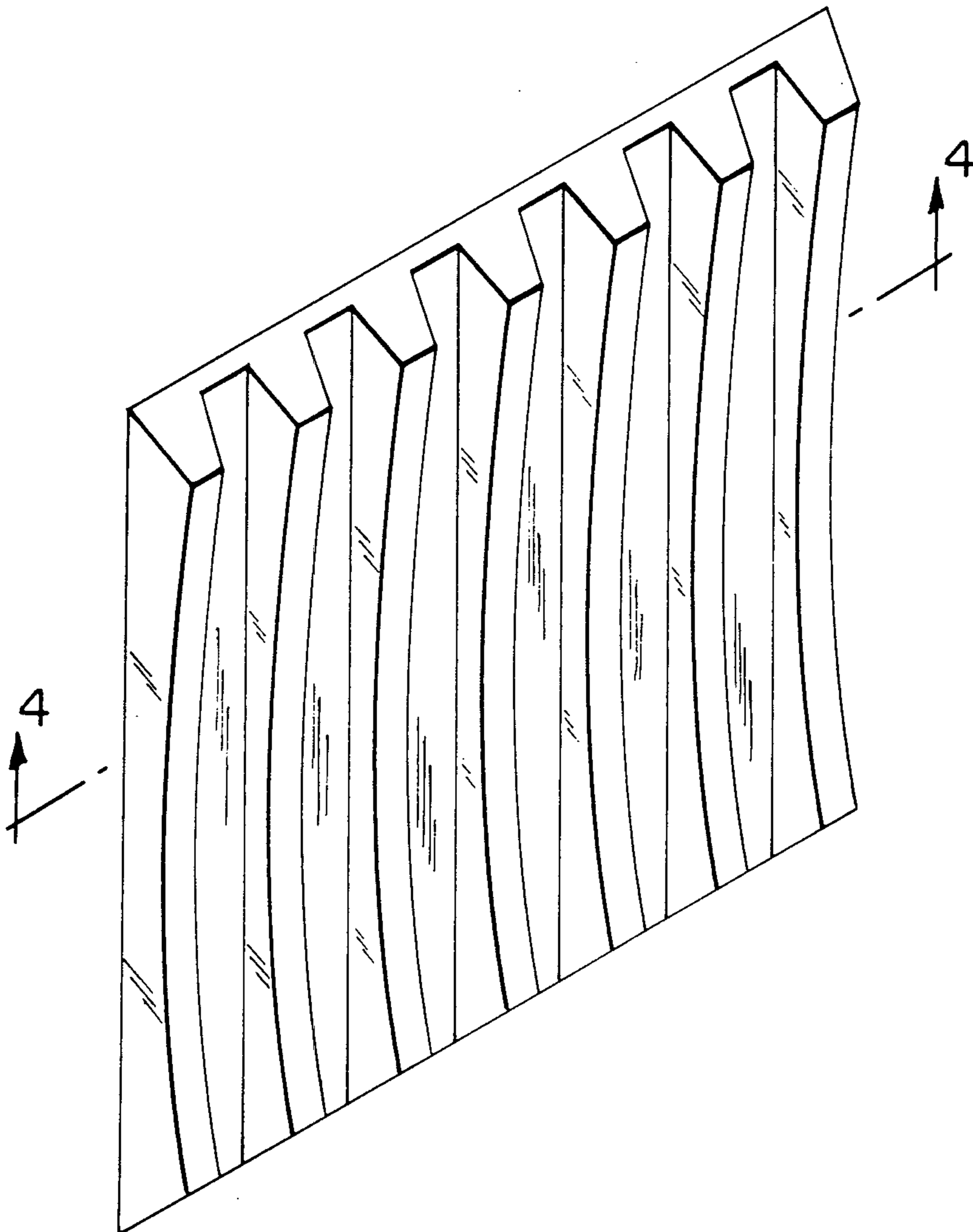
DESCRIPTION

FIG. 1 is an isometric view of the plastic cover embodying the decorative design of my invention;

FIG. 2 is a side elevational view as seen from either the top or bottom of FIG. 1;

FIG. 3 is a side elevational view as seen from either the right or left of FIG. 1;

FIG. 4 is a cross-sectional view along the lines 1-1 of FIG. 1.



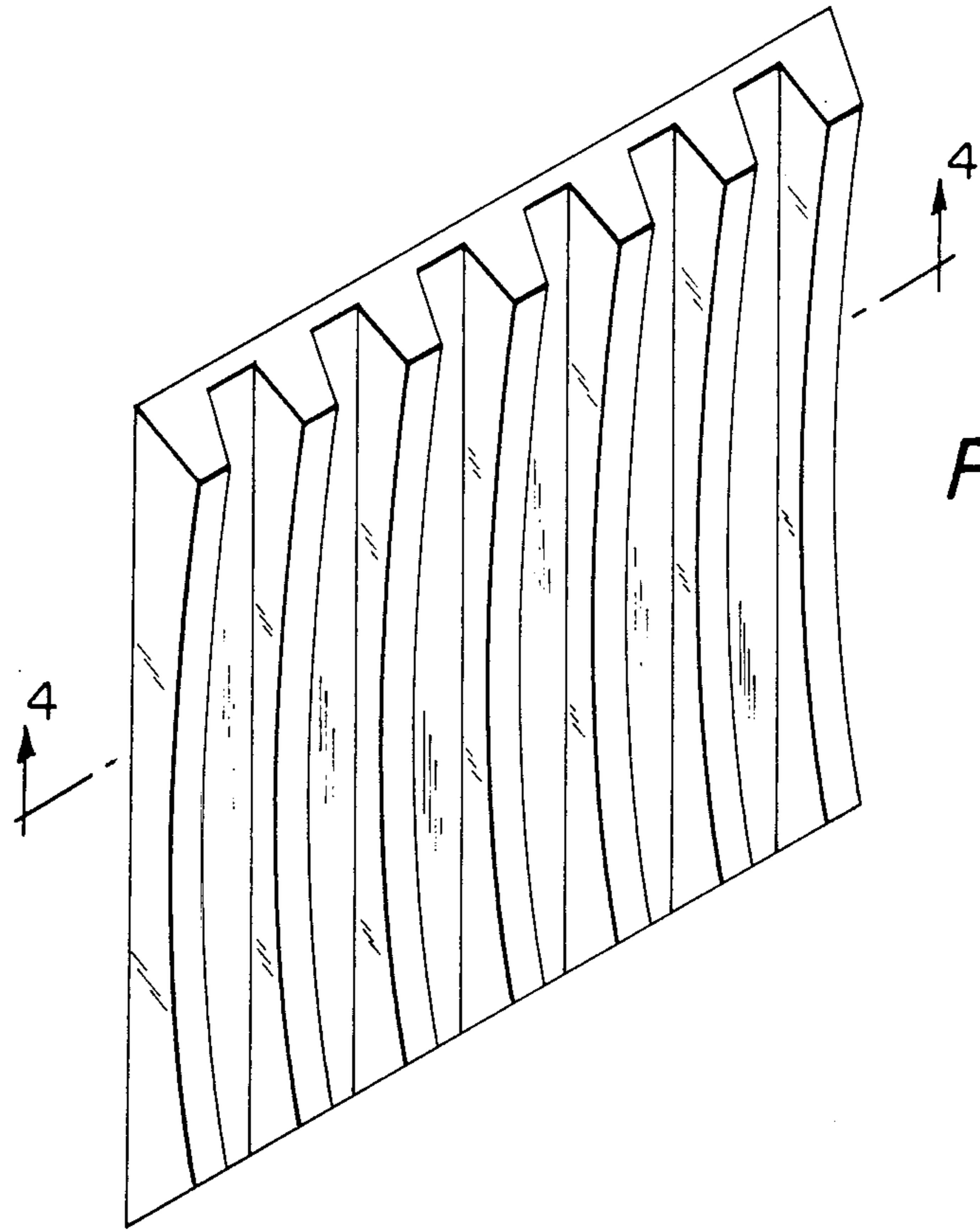


FIG. 1

FIG. 2

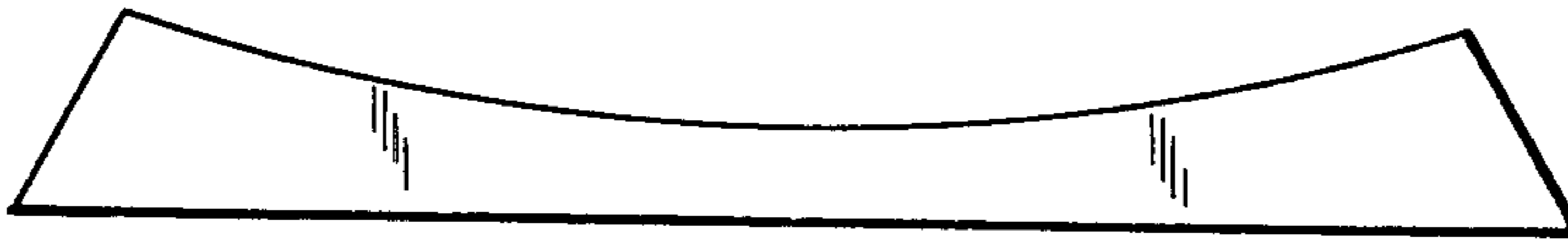


FIG. 3



FIG. 4

