

[54] DENTAL AMALGAMATOR

[75] Inventor: Howard Moon, Fort Atkinson, Wis.

[73] Assignee: Crescent Dental Mfg. Co. from  
Norland Associates, Lyons, Ill.

[\*\*] Term: 14 Years

[21] Appl. No.: 668,149

[22] Filed: Mar. 18, 1976

[51] Int. Cl. .... D24-01

[52] U.S. Cl. .... D24/10

[58] Field of Search ..... D24/1 A; 259/72, DIG. 20;  
32/40 A

[56]

References Cited

U.S. PATENT DOCUMENTS

3,749,371	7/1973	Folkenroth .....	259/DIG. 20
3,815,115	6/1974	Inque .....	32/40 A
D. 152,488	1/1949	Meltzer .....	D24/1 A
D. 226,916	5/1973	Webb et al. ....	D24/1 A

Primary Examiner—Bernard Ansher

Attorney, Agent, or Firm—George B. Newitt

[57]

CLAIM

The ornamental design for a dental amalgamator, substantially as shown.

DESCRIPTION

FIG. 1 is a top perspective view of a dental amalgamator showing my new design;

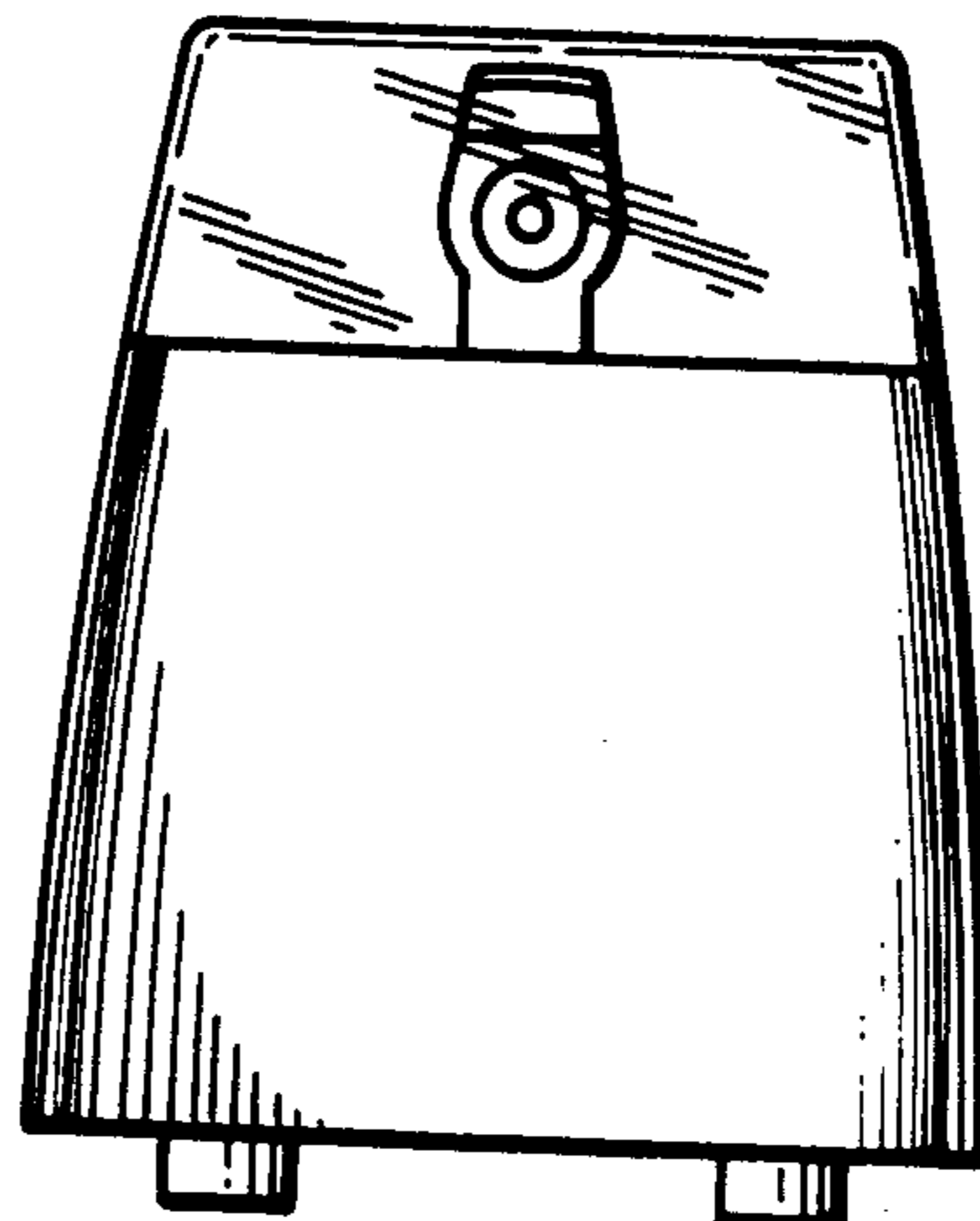
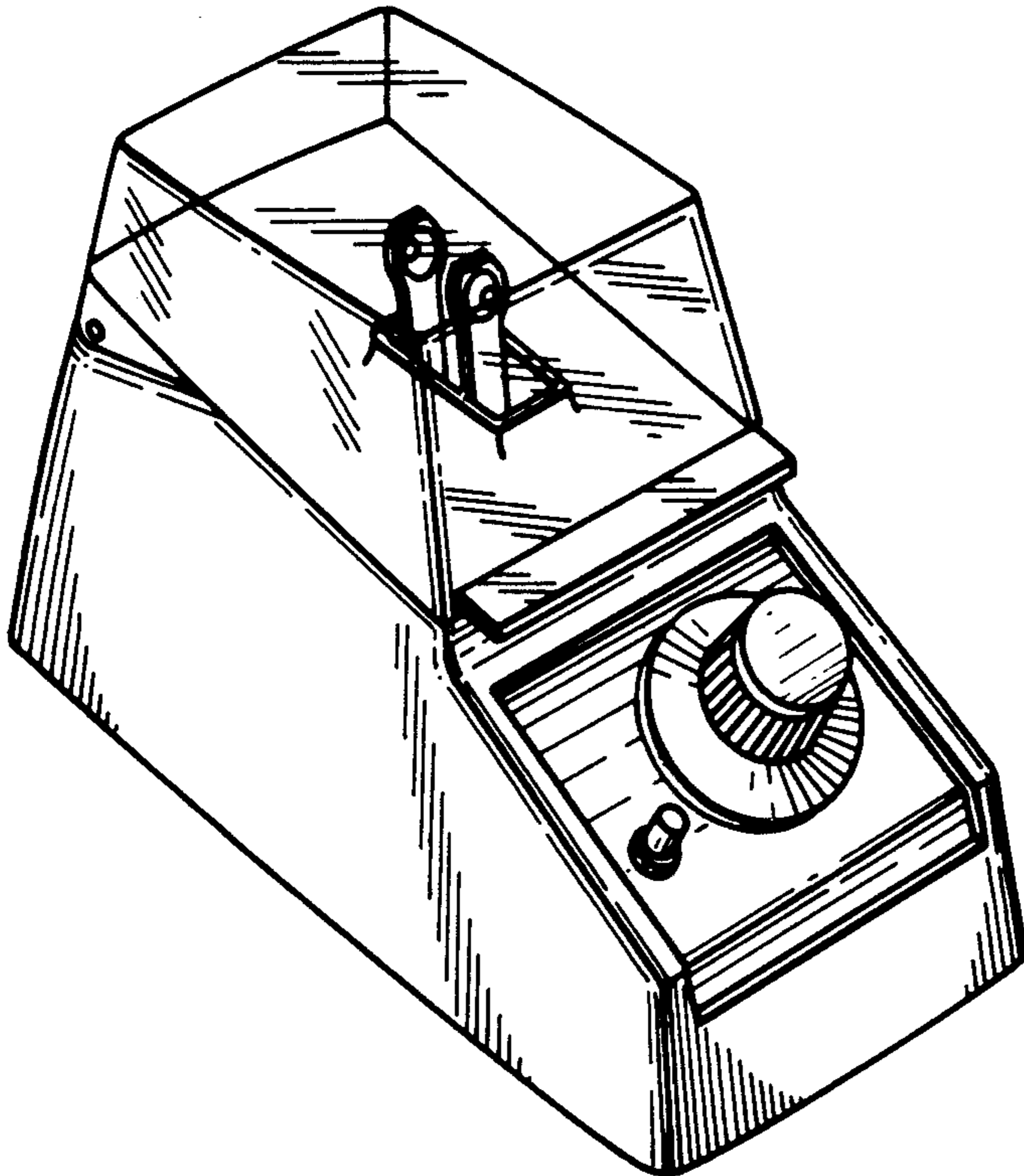
FIG. 2 is a top plan view thereof;

FIG. 3 is a side elevation view thereof;

FIG. 4 is a bottom plan view thereof;

FIG. 5 is a front elevation view thereof; and

FIG. 6 is a rear elevation view thereof.



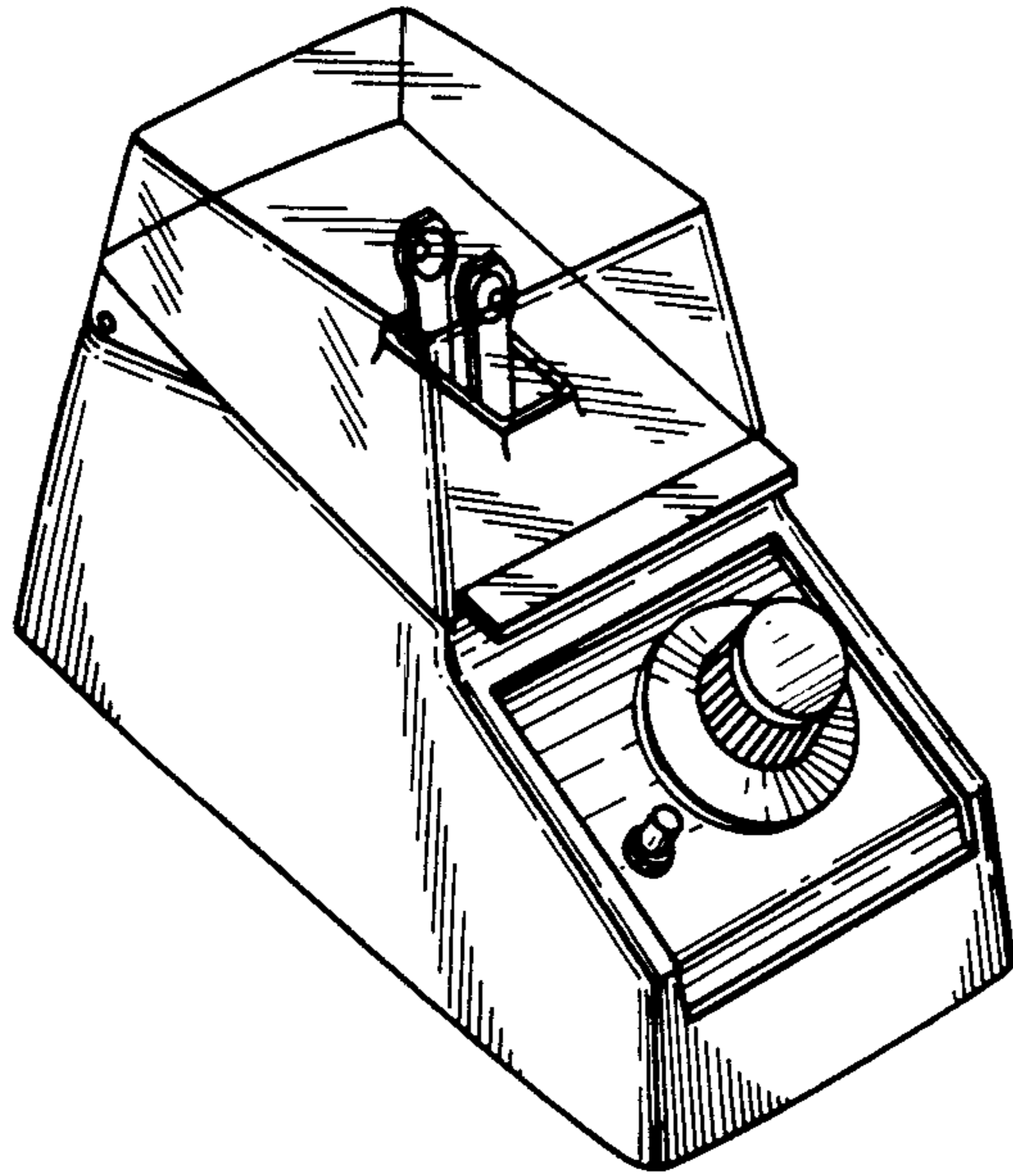


FIG. 1

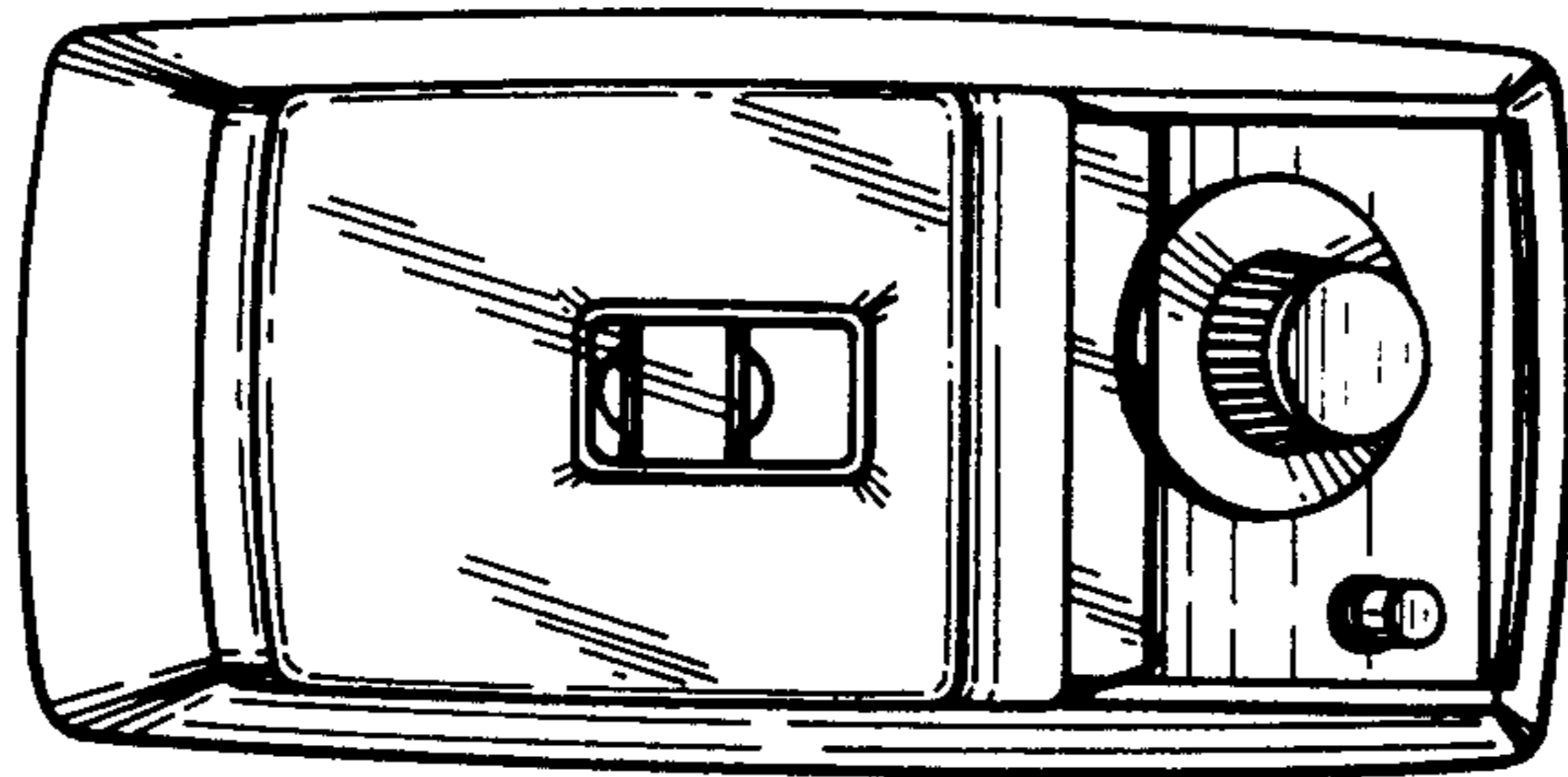


FIG. 2

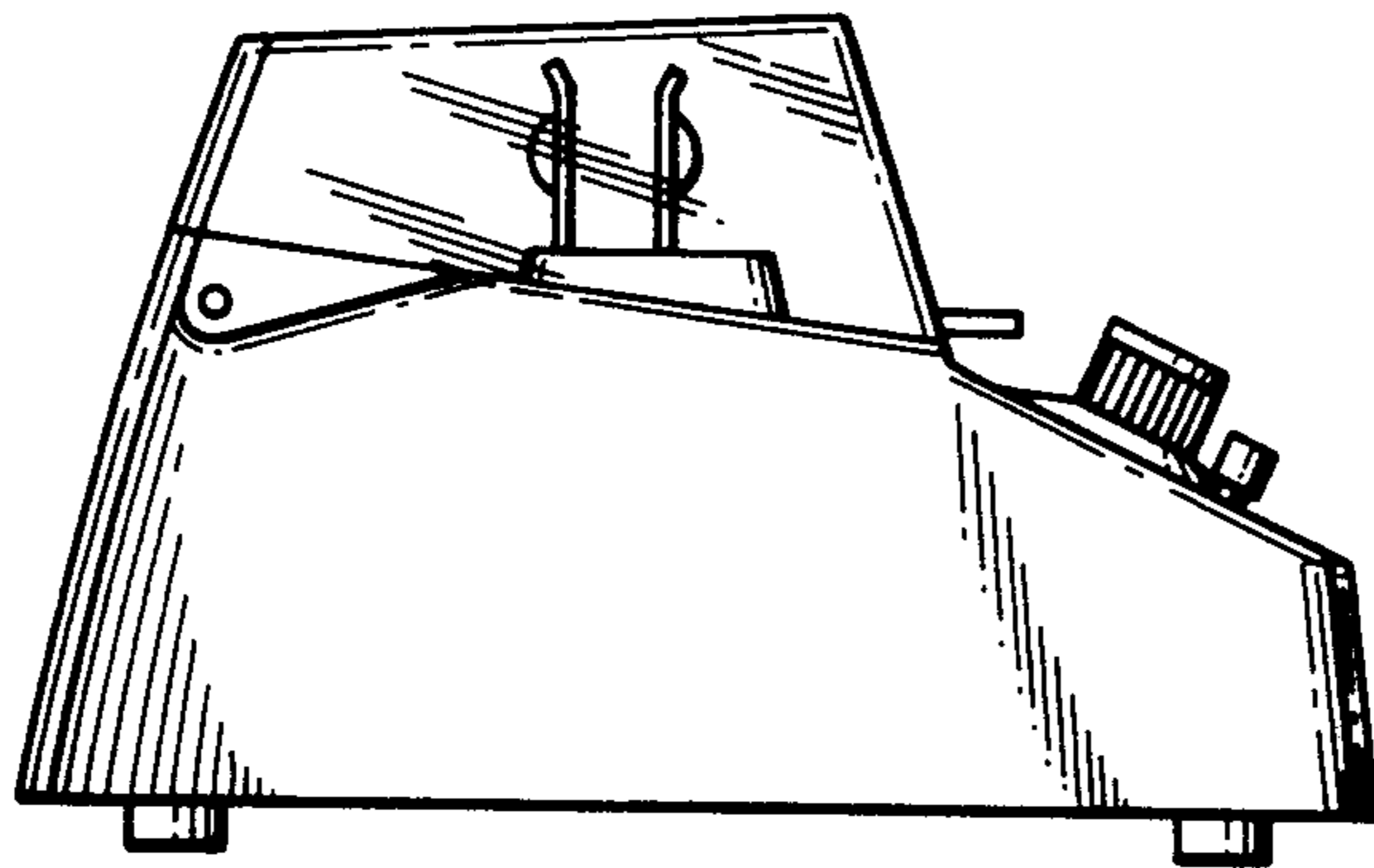


FIG. 3

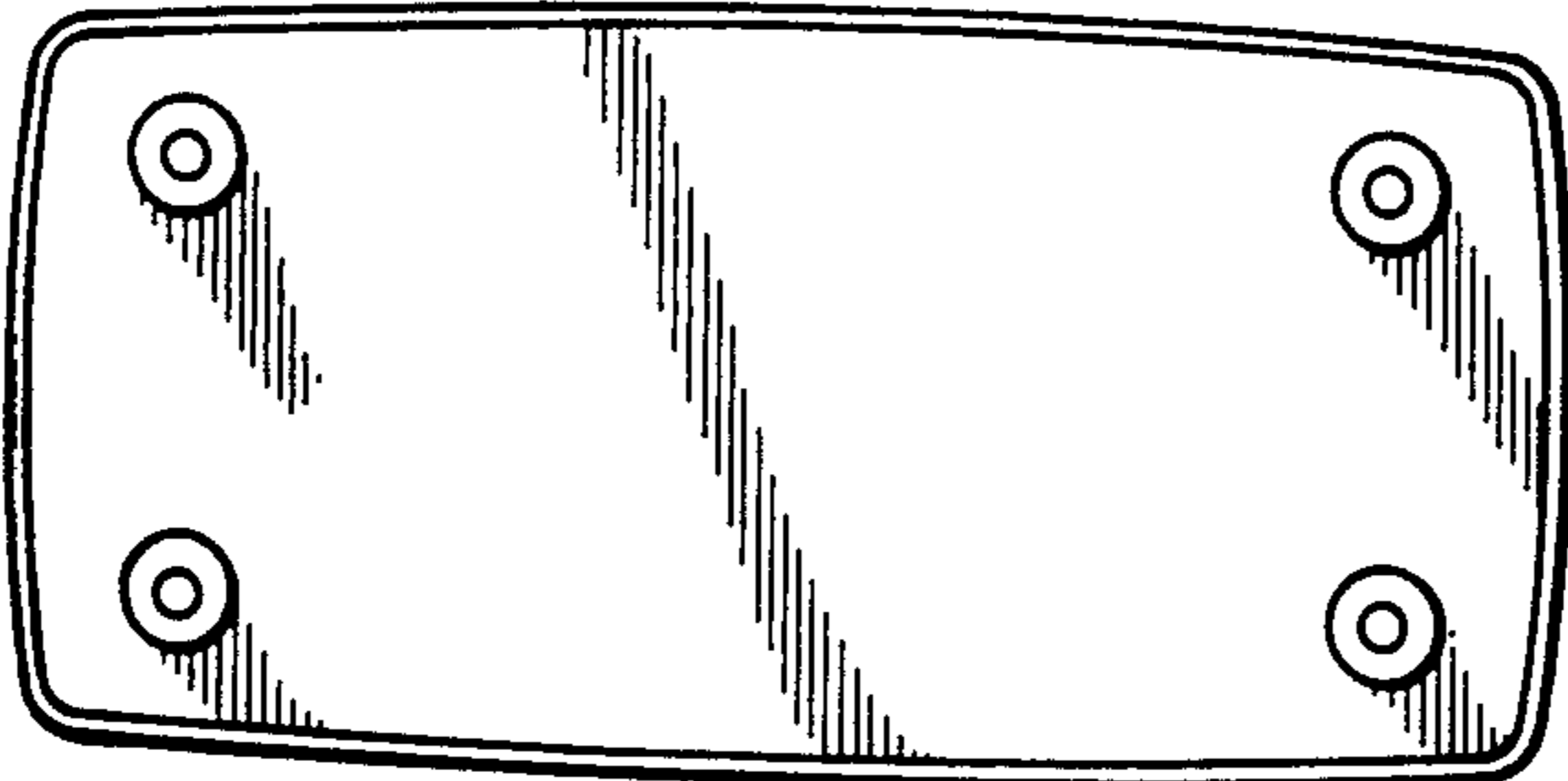


FIG. 4

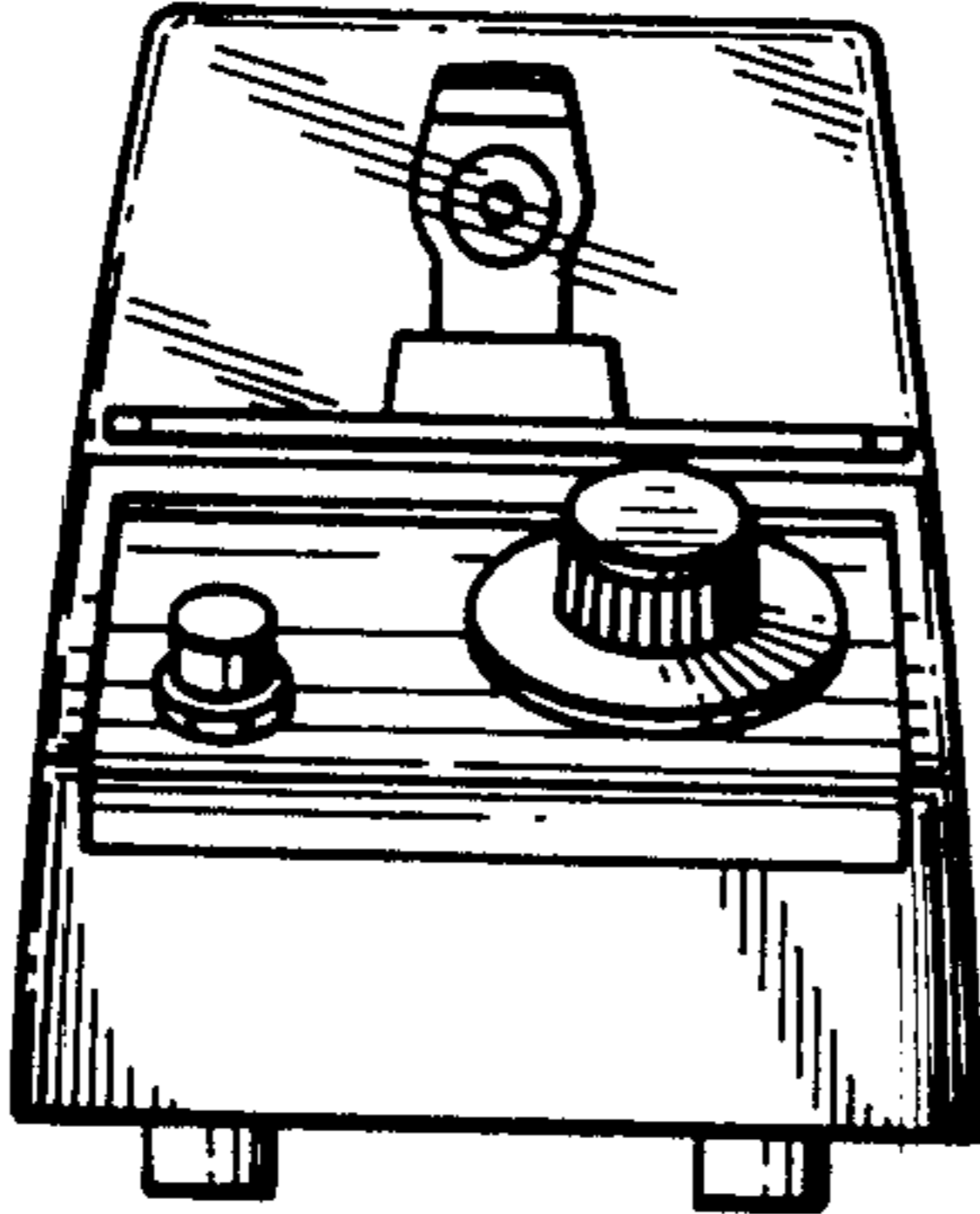


FIG. 5

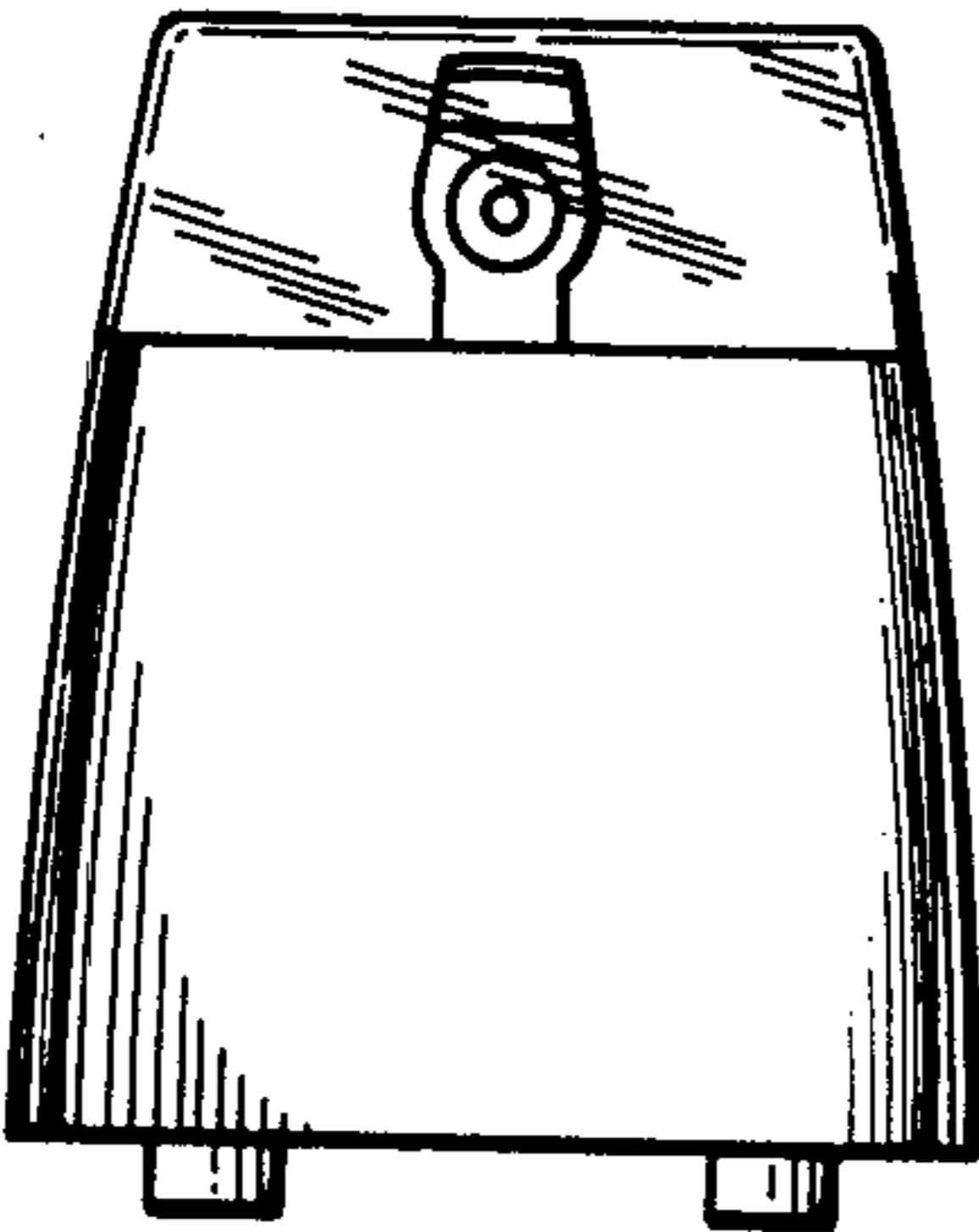


FIG. 6