

[54] EVAPORATOR CASING OF A BUS AIR-CONDITIONER

[75] Inventors: Allen J. Samuels, Bethel Park, Pa.; Ronald D. Lemke, St. Paul, Minn.

[73] Assignee: Thermo King Corporation, Minneapolis, Minn.

[**] Term: 14 Years

[21] Appl. No.: 595,970

[22] Filed: July 14, 1975

[51] Int. Cl. D23-04

[52] U.S. Cl. D23/141

[58] Field of Search D23/141, 142; 62/DIG. 16, 244; 98/2.11, 2.14, 2.19, 49; D48/14, 16 A, 20 D, 23 A, 31, 32 B

[56] References Cited

U.S. PATENT DOCUMENTS

3,739,558 6/1973 Hurson D23/150 X
3,834,680 9/1974 Yost et al. 62/DIG. 16

D. 121,161 6/1940 Holish D48/23 A
D. 201,380 6/1965 Schwenkler D48/23 A

Primary Examiner—Wallace R. Burke
Assistant Examiner—Larry Jones
Attorney, Agent, or Firm—C. F. Renz

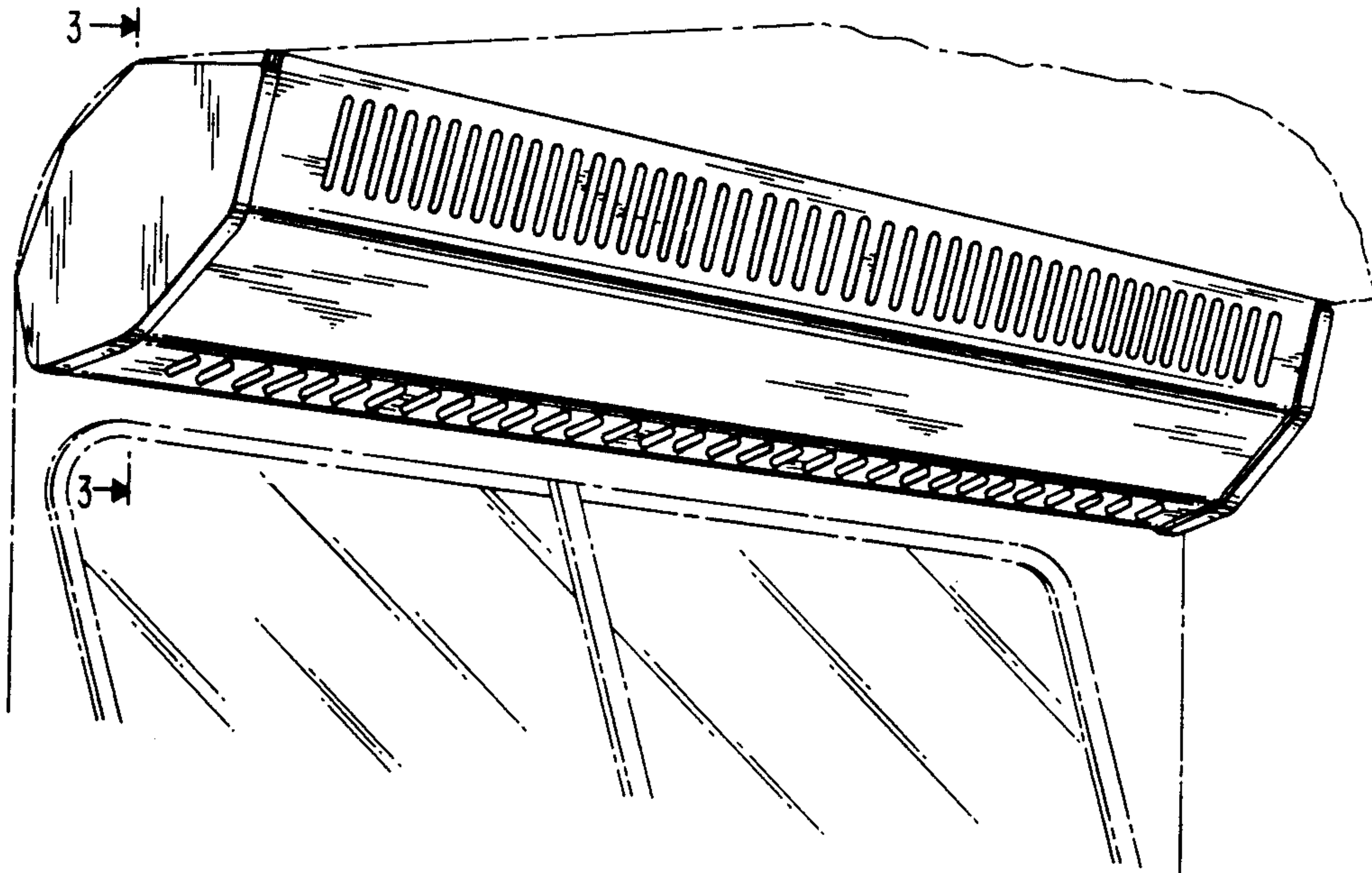
[57] CLAIM

The ornamental design for an evaporator casing of a bus air-conditioner, substantially as shown and described.

DESCRIPTION

FIG. 1 is a perspective view taken along the front side of the evaporator case for a bus air-conditioner; and FIG. 2 is a perspective view similar to FIG. 1 but showing the unadorned back side of the casing; and FIG. 3 is a view of the unadorned end of the evaporator casing.

The broken lines of FIGS. 1 and 3 show the adjacent wall structures of the bus with the evaporator casing as installed in the corners between the ceiling and side walls of the bus and are shown for illustrative purposes only.



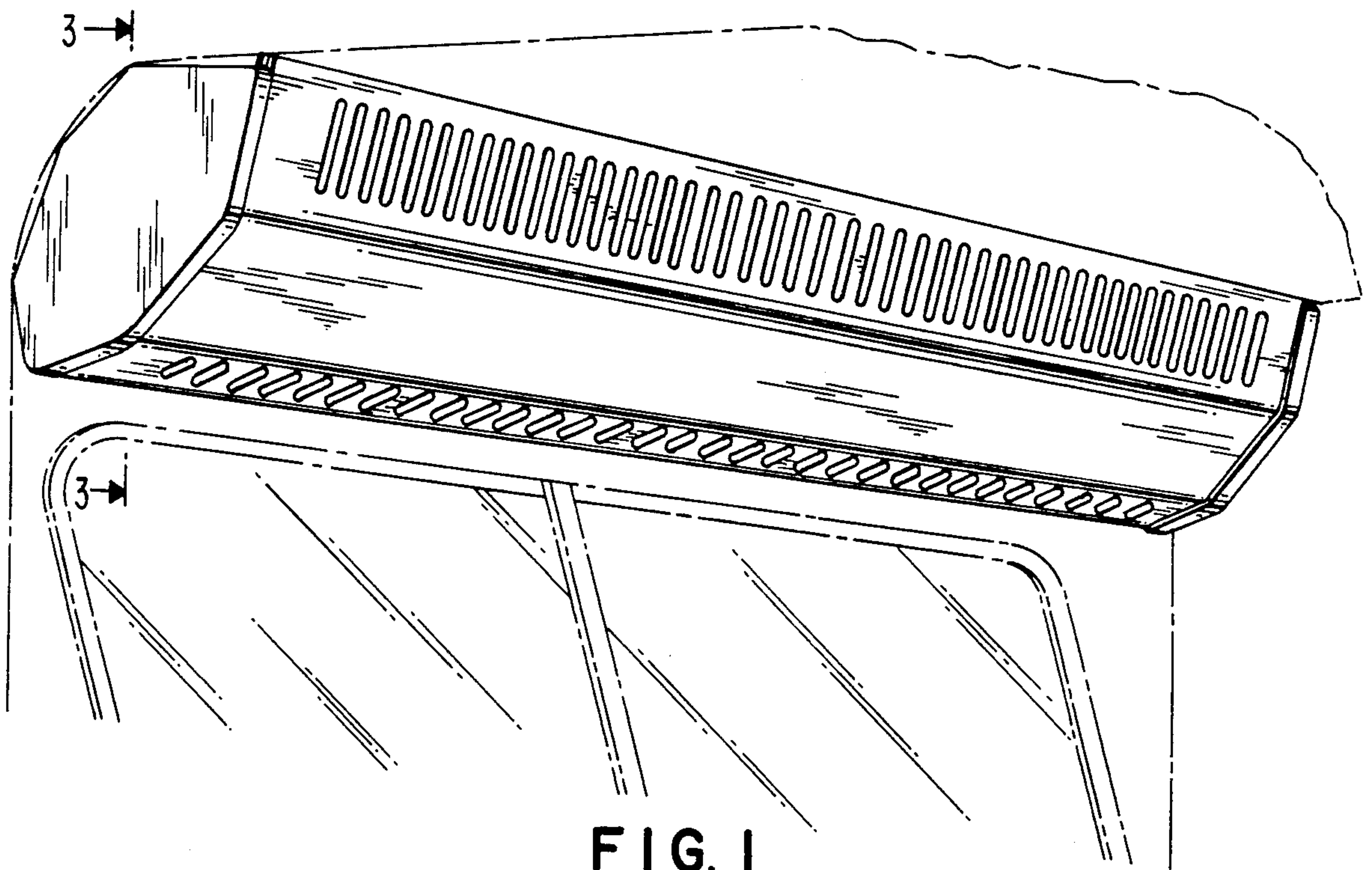


FIG. 1

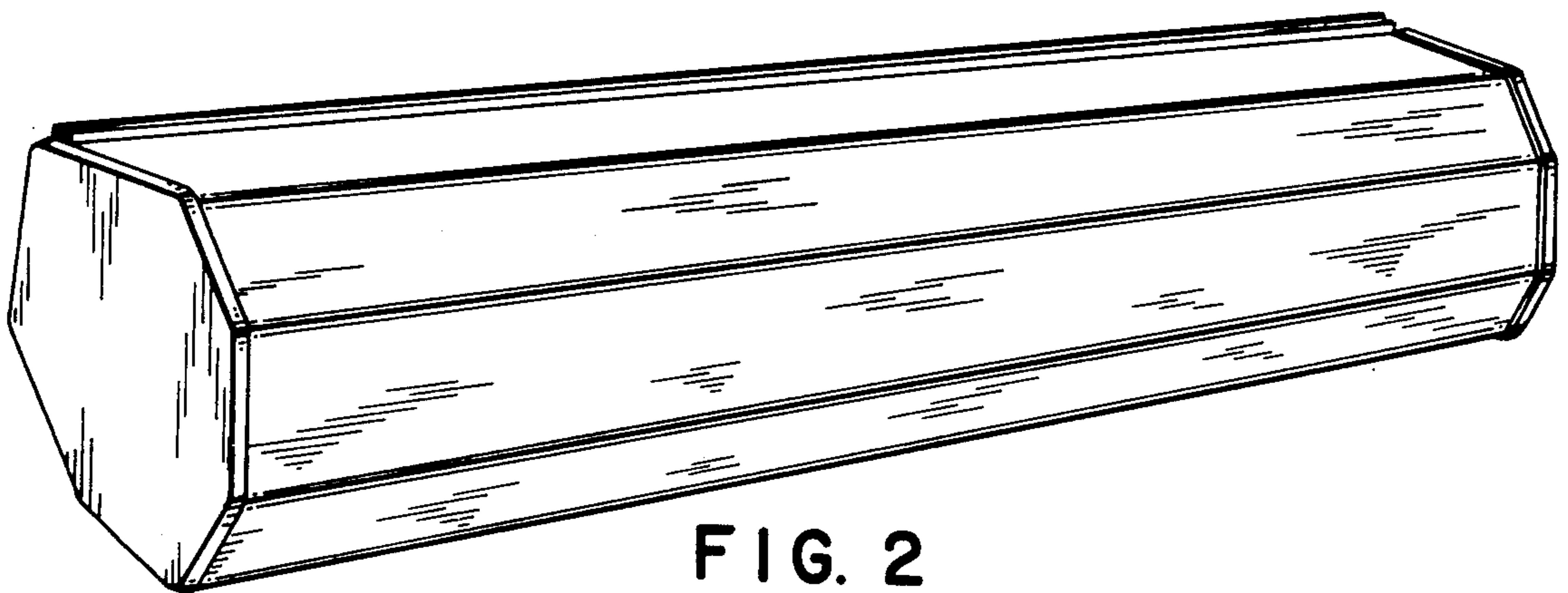


FIG. 2

FIG. 3

