

[54] FISH BAIT DISPENSER

[76] Inventor: Jerry W. Kirkhart, 814 Whispering Way, South Charleston, W. Va. 25303

[**] Term: 14 Years

[21] Appl. No.: 675,832

[22] Filed: Apr. 12, 1976

[51] Int. Cl. D22-05

[52] U.S. Cl. D22/14

[58] Field of Search D22/14; D9/216, 83; D83/1 V

[56] References Cited

U.S. PATENT DOCUMENTS

- D. 217,077 3/1970 Brodsky et al. D83/1 U
- D. 231,932 6/1974 Smith D83/1 U X

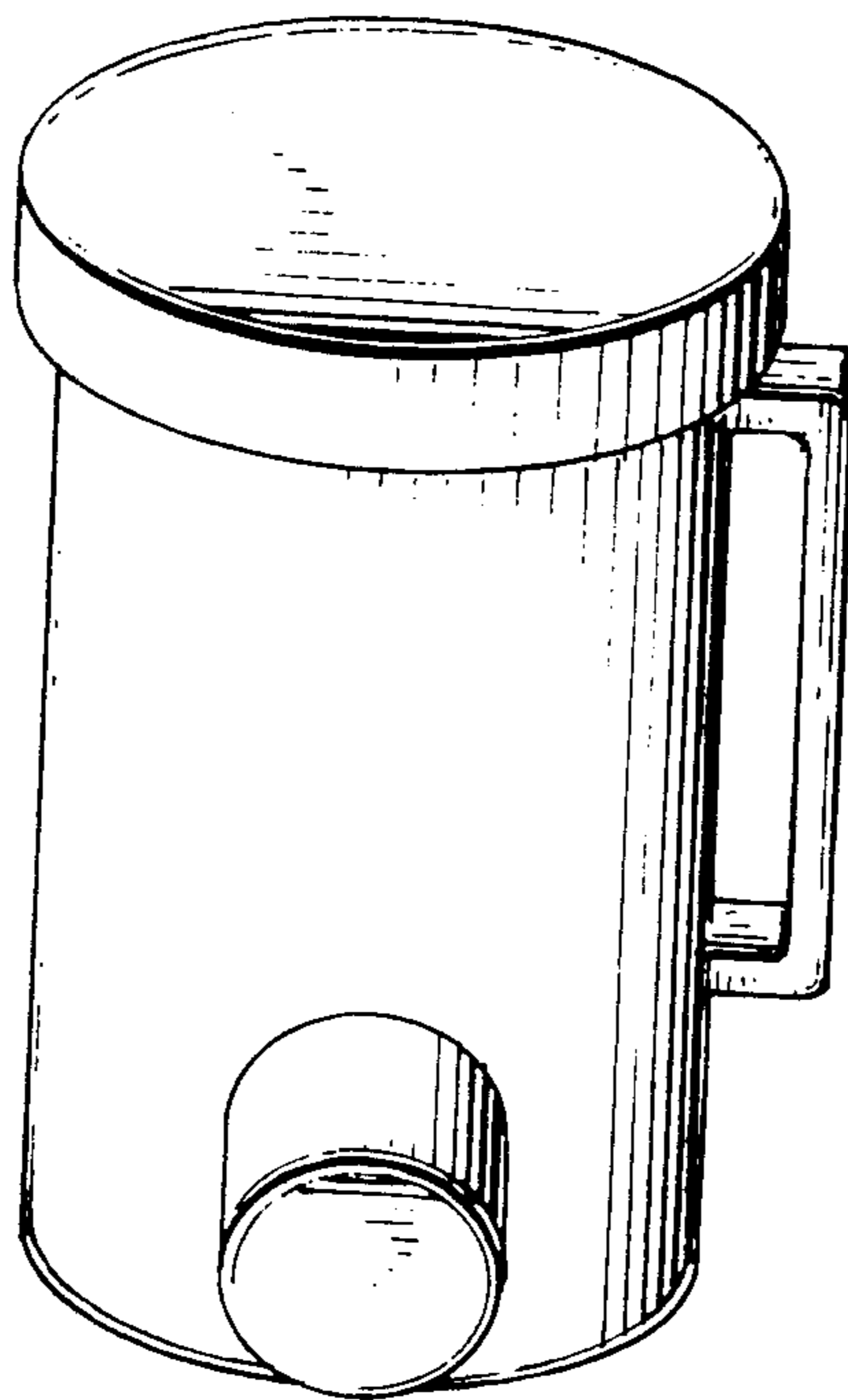
Primary Examiner—William N. Wertman
Attorney, Agent, or Firm—Jim Zegeer

[57] CLAIM

The ornamental design for a fish bait dispenser as shown and described.

DESCRIPTION

FIG. 1 is a top perspective view of a fish bait dispenser showing my new design,
 FIG. 2 is an elevational view thereof,
 FIG. 3 is an elevational view taken from the right of FIG. 2,
 FIG. 4 is an elevational view from the right of FIG. 3,
 FIG. 5 is a top plan view of FIG. 2,
 FIG. 6 is a bottom view of FIG. 2,
 FIG. 7 is a view similar to FIG. 5 with the top removed,
 FIG. 8 is a view similar to FIG. 2 showing a modified form of my new design,
 FIG. 9 is a sectional view taken on line 9—9 of FIG. 8.



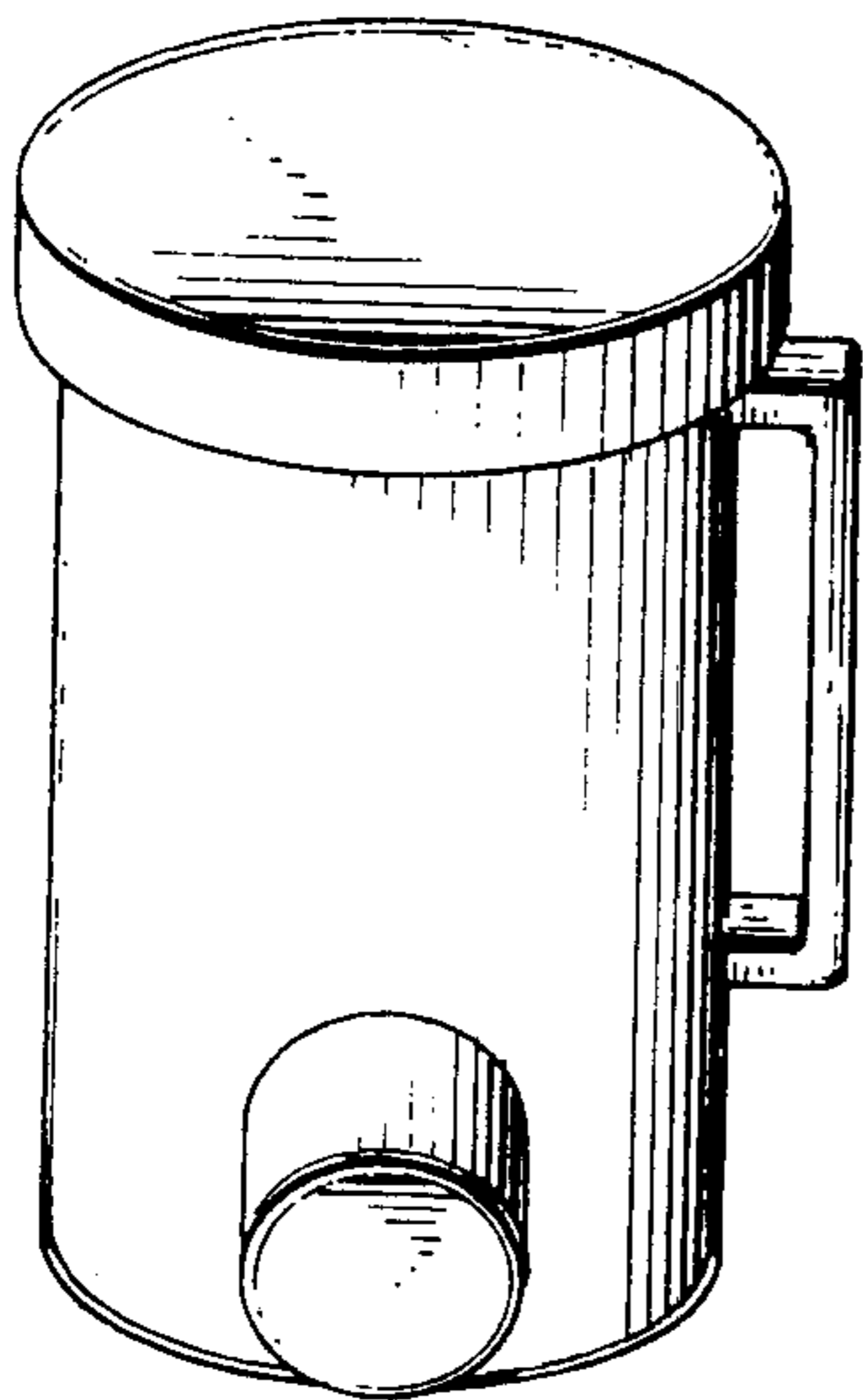


Fig. 1

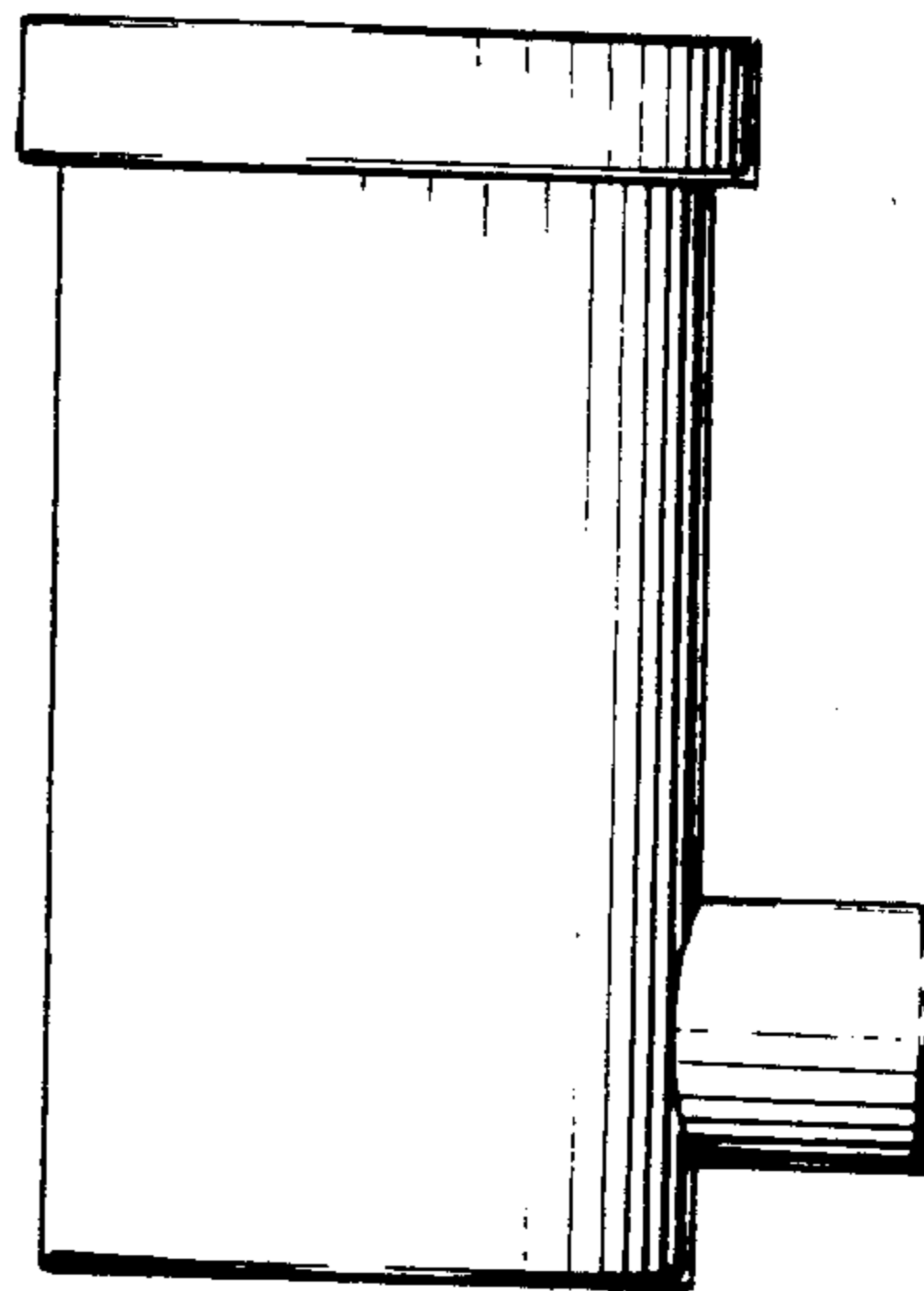


Fig. 2

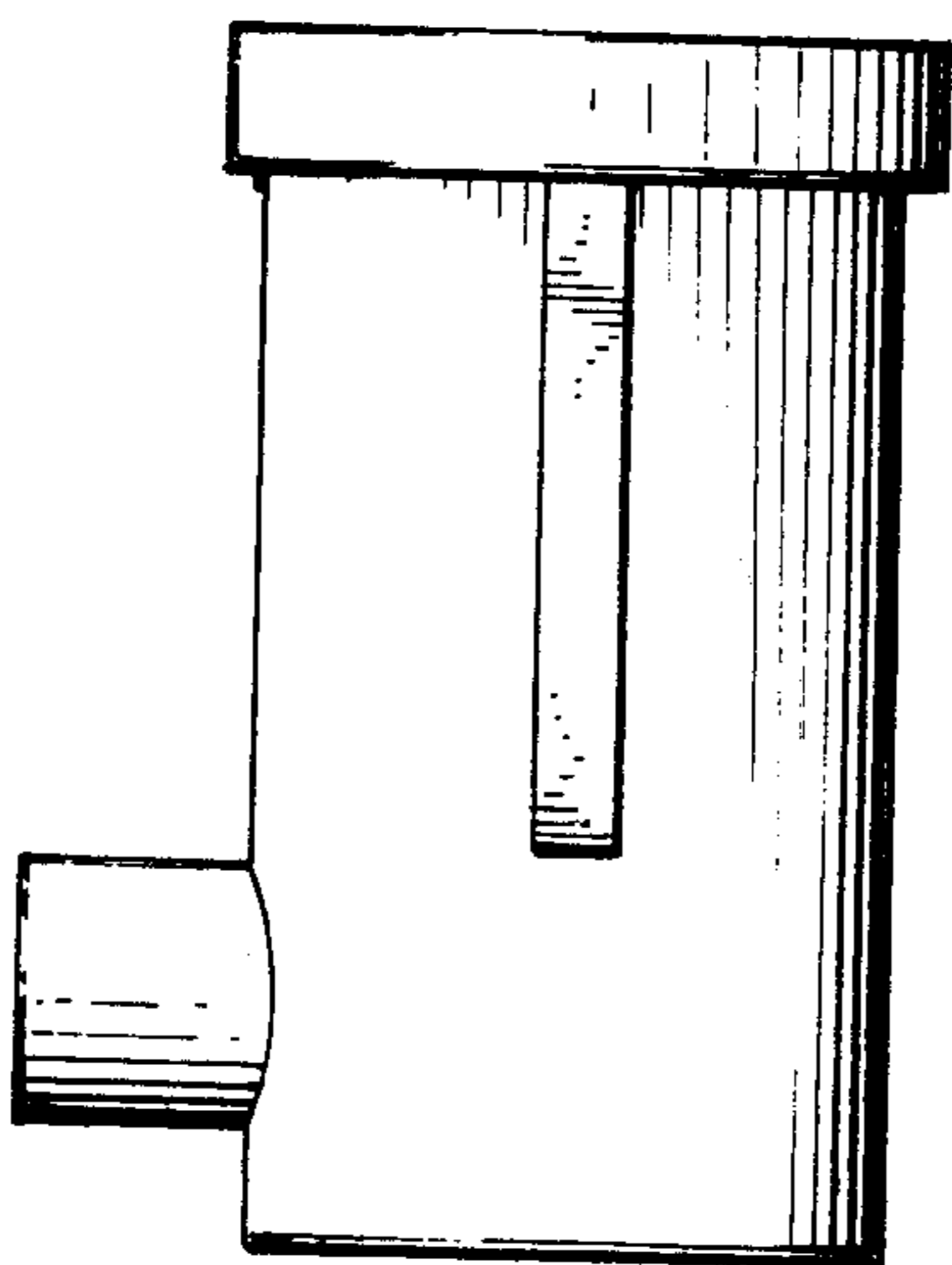


Fig. 3

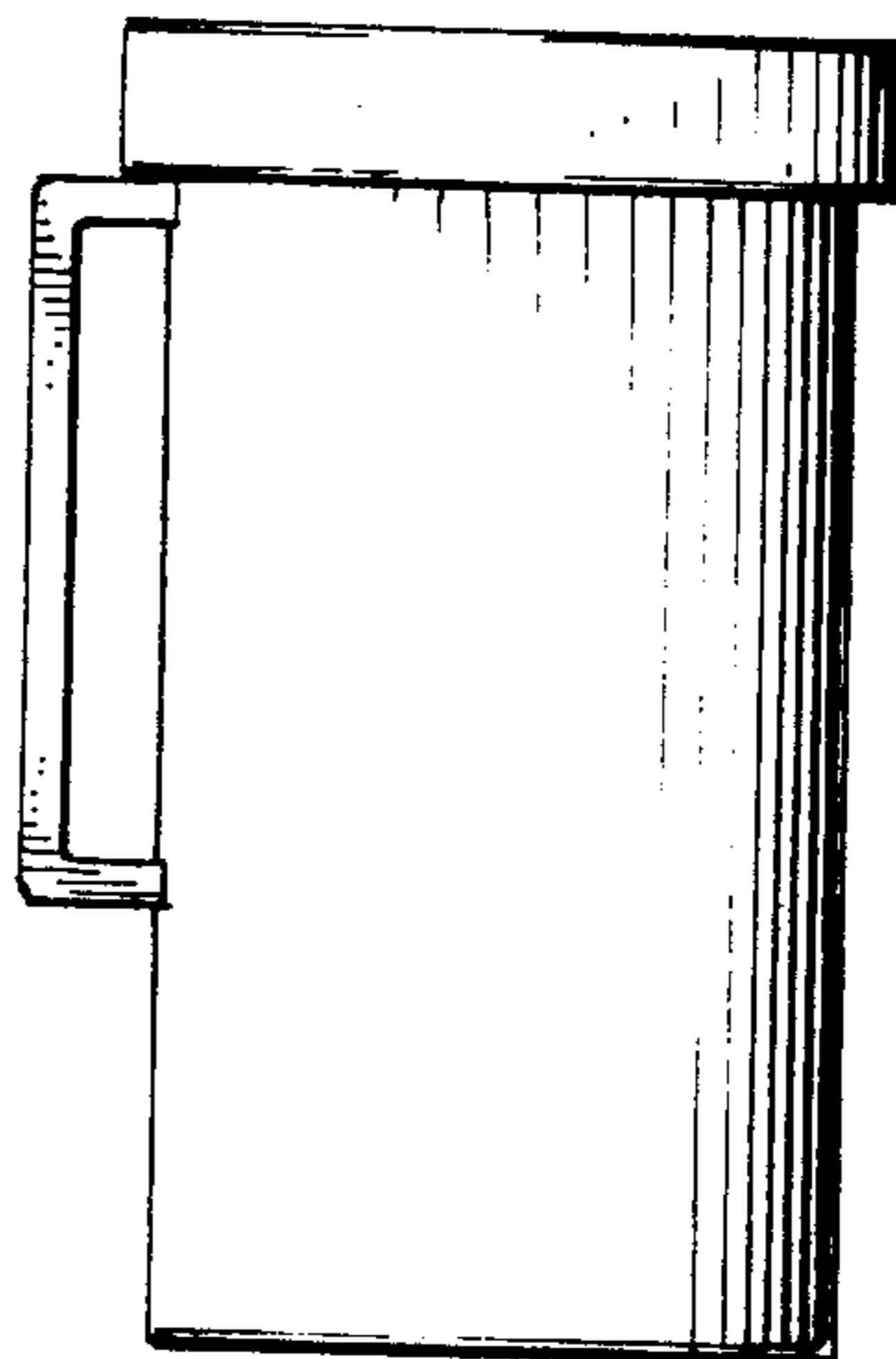


Fig. 4

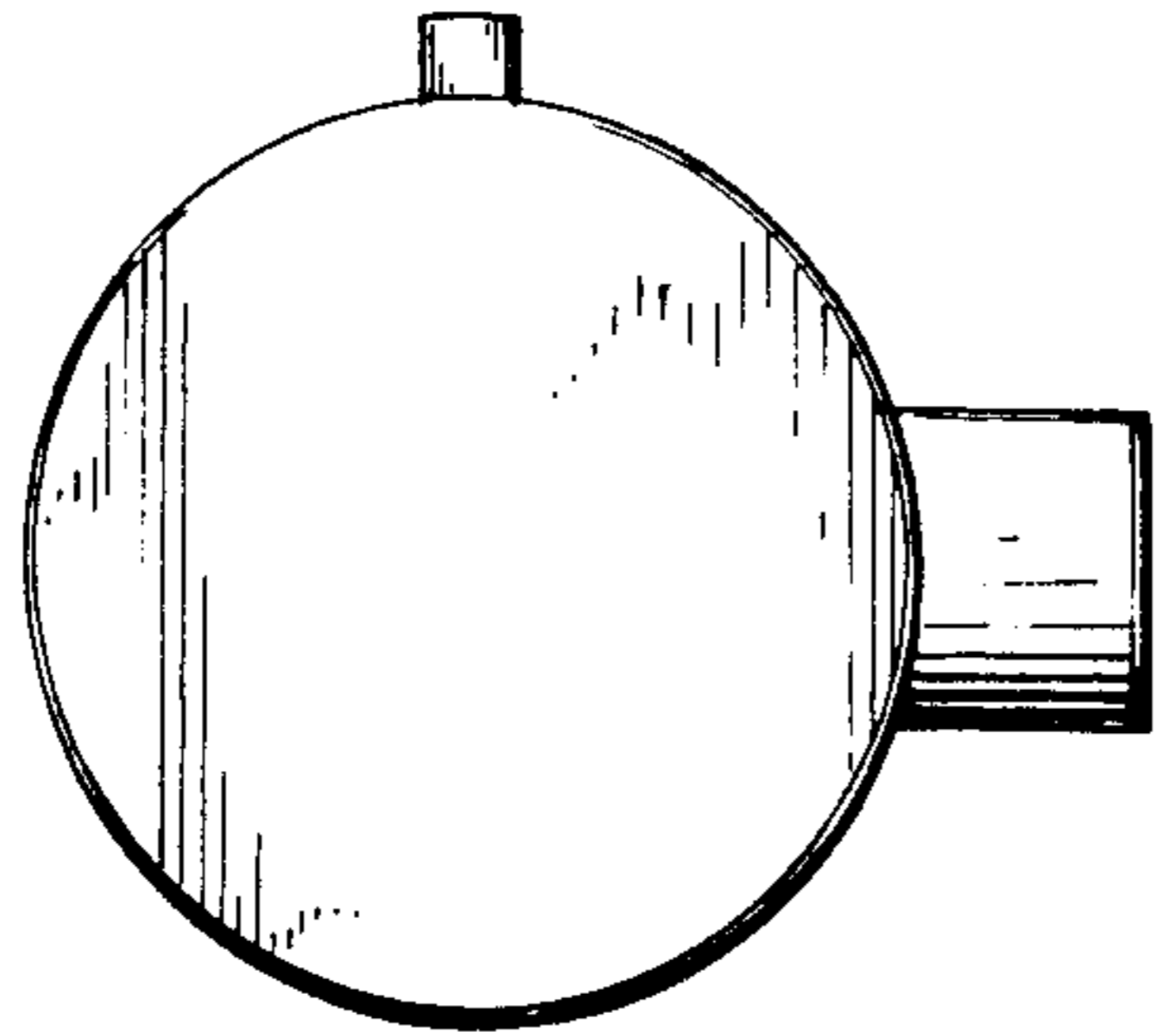


Fig. 5

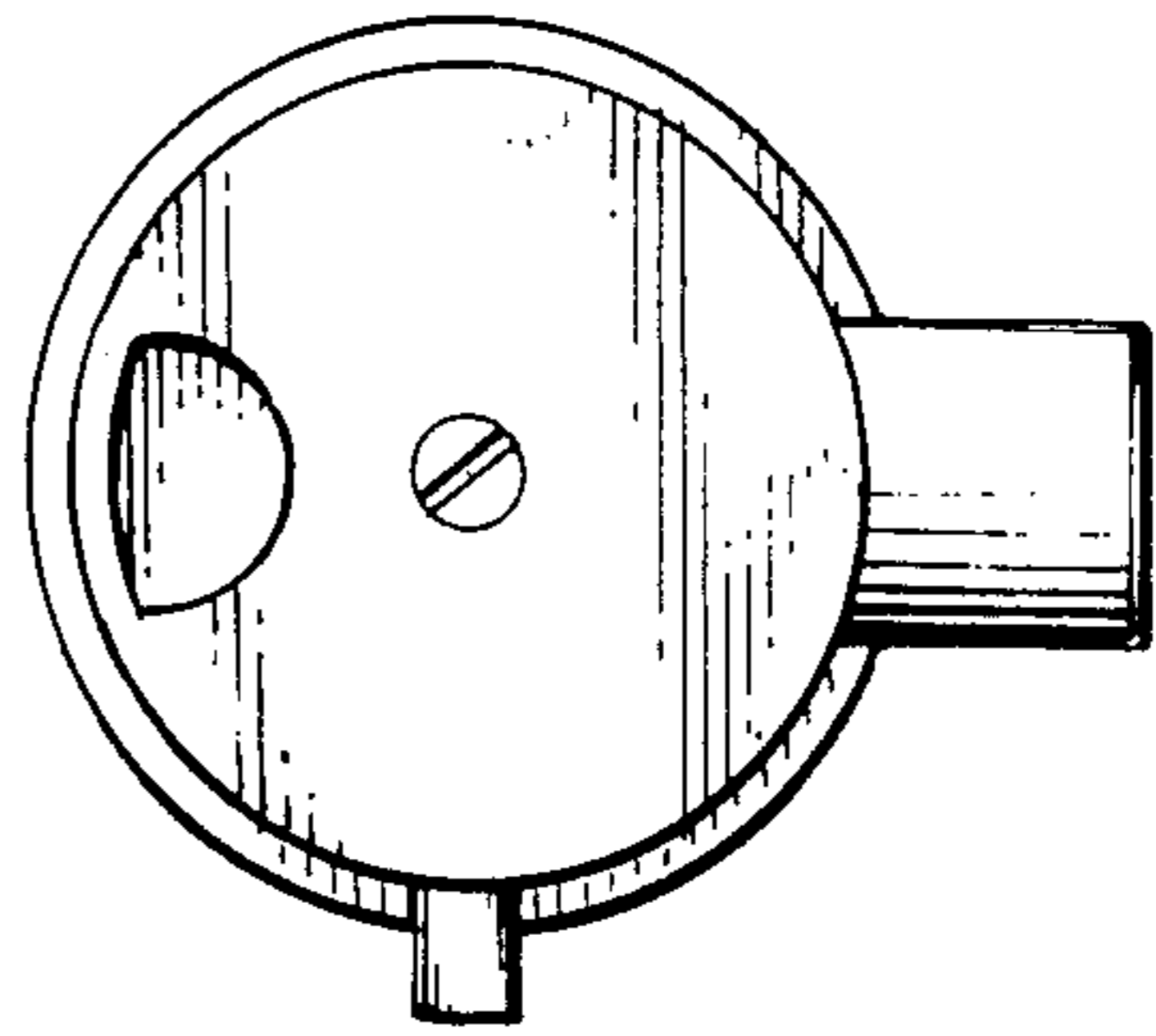


Fig. 6

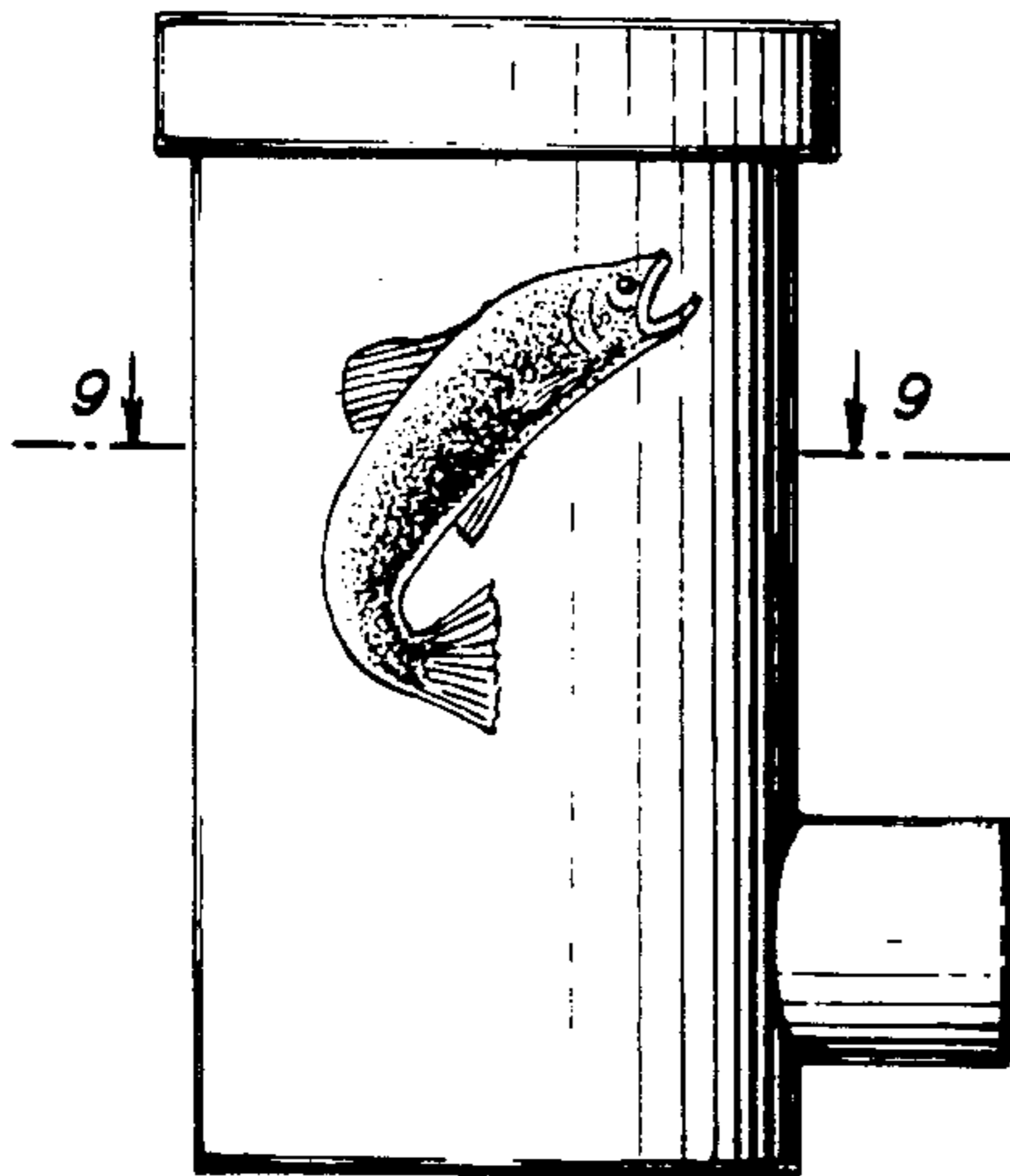


Fig. 8

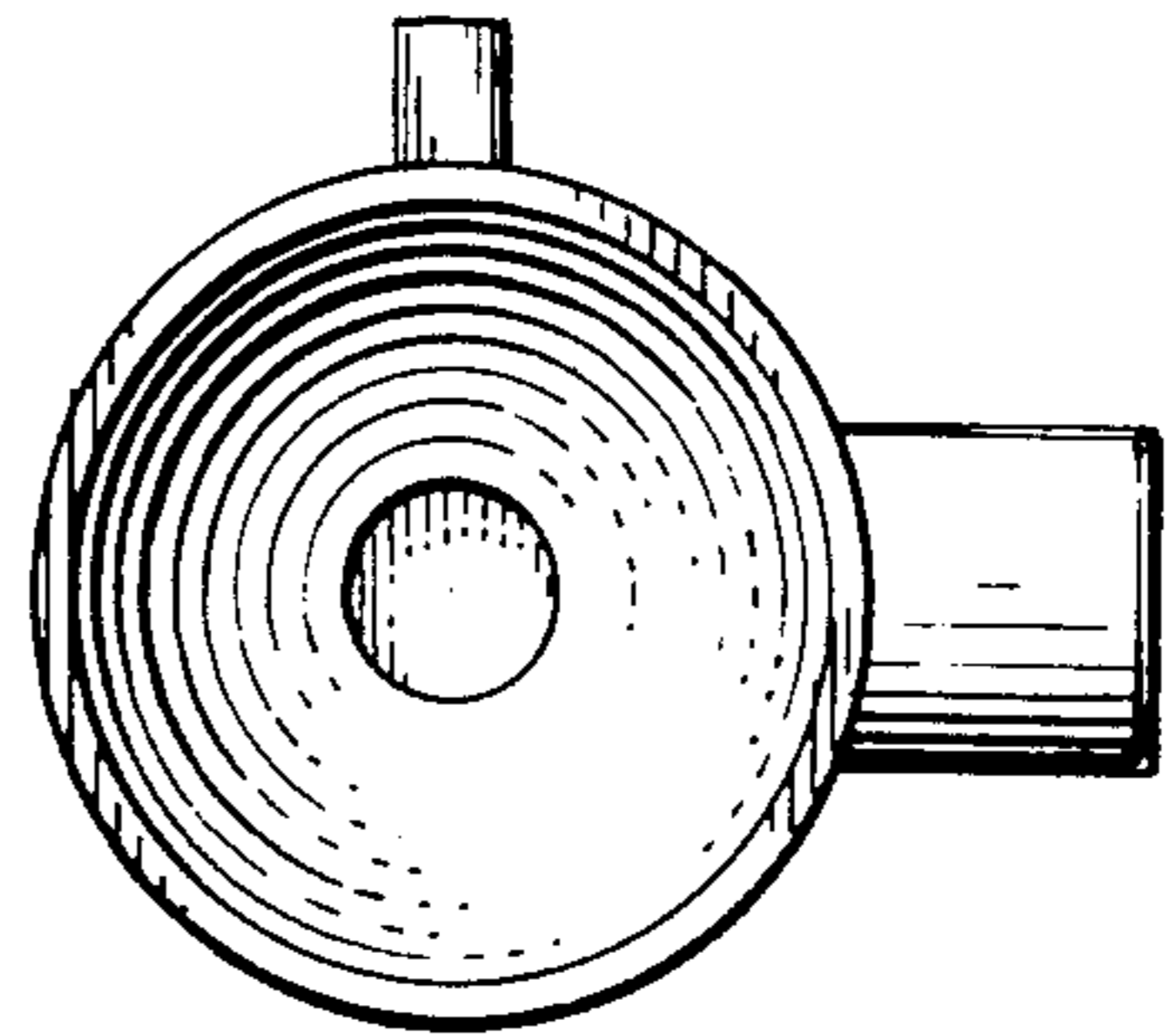


Fig. 7

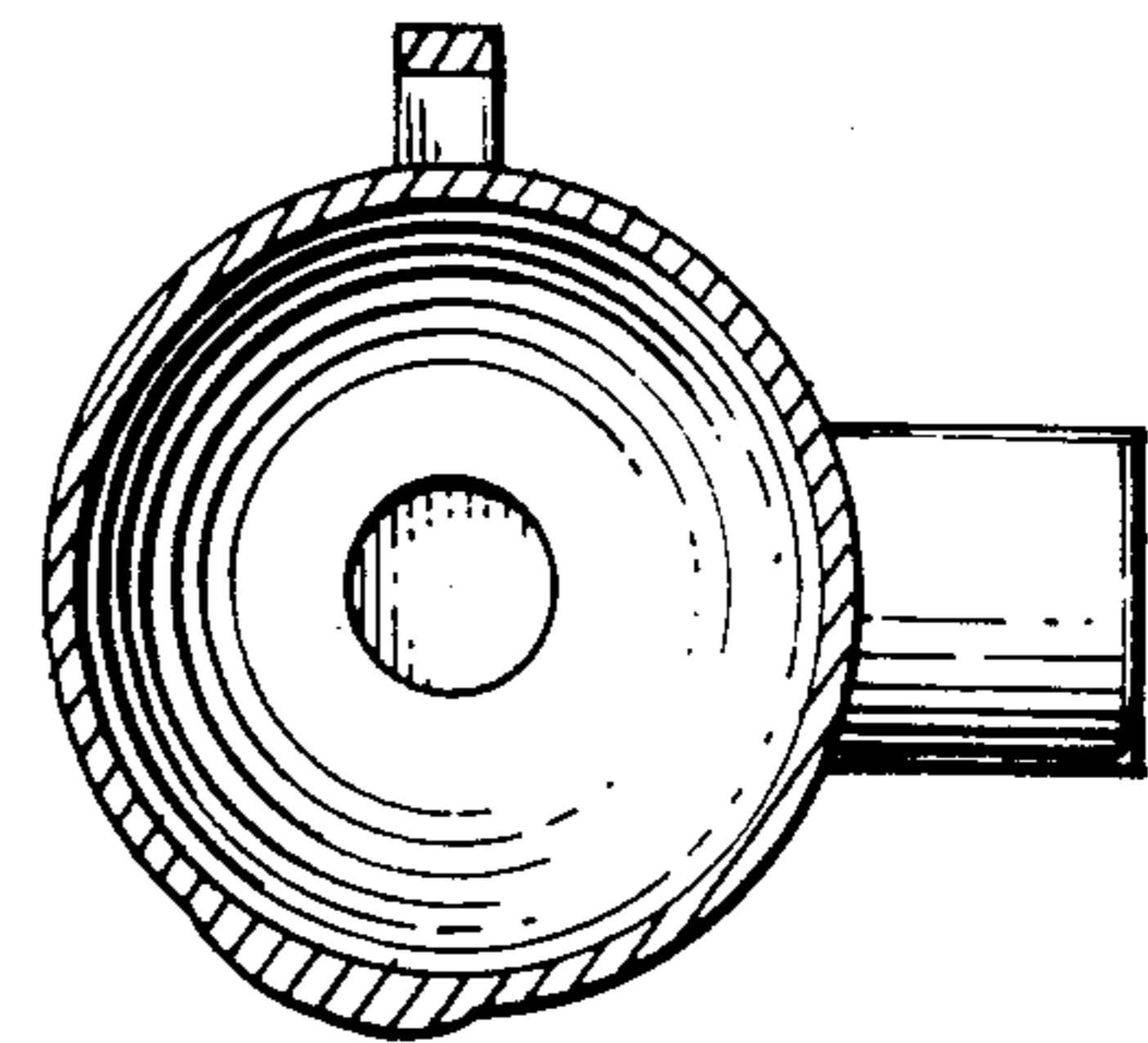


Fig. 9