

[54] **TIMING LIGHT**

[75] **Inventor:** Howard J. Rasmussen, Fox River Grove, Ill.

[73] **Assignee:** Stewart-Warner Corporation, Chicago, Ill.

[**] **Term:** 14 Years

[21] **Appl. No.:** 596,917

[22] **Filed:** July 17, 1975

[51] **Int. Cl.** D10-05

[52] **U.S. Cl.** D10/112

[58] **Field of Search** D10/112, 46, 75, 78, D10/80, 1; 240/11.4 R; 324/16 T

[56] **References Cited**

U.S. PATENT DOCUMENTS

| | | | |
|------------|---------|----------|----------|
| 2,959,711 | 11/1960 | Parmater | 324/16 T |
| D. 176,833 | 1/1956 | Wallace | D10/102 |

| | | | |
|------------|--------|----------|---------|
| D. 207,552 | 5/1967 | Perkins | D10/112 |
| D. 217,287 | 4/1970 | Schwartz | D10/112 |

FOREIGN PATENT DOCUMENTS

1,487,232 6/1967 France 324/16 T

Primary Examiner—Nelson C. Holtje

Attorney, Agent, or Firm—Augustus C. Douvas

[57] **CLAIM**

The ornamental design for a timing light, substantially as shown and described.

DESCRIPTION

FIG. 1 is a right rear perspective view on a reduced scale of a timing light showing my new design;

FIG. 2 is a right side elevational view of FIG. 1 on an enlarged scale;

FIG. 3 is a front elevational view thereof;

FIG. 4 is a rear elevational view thereof;

FIG. 5 is a top plan view thereof; and

FIG. 6 is a bottom plan view thereof.

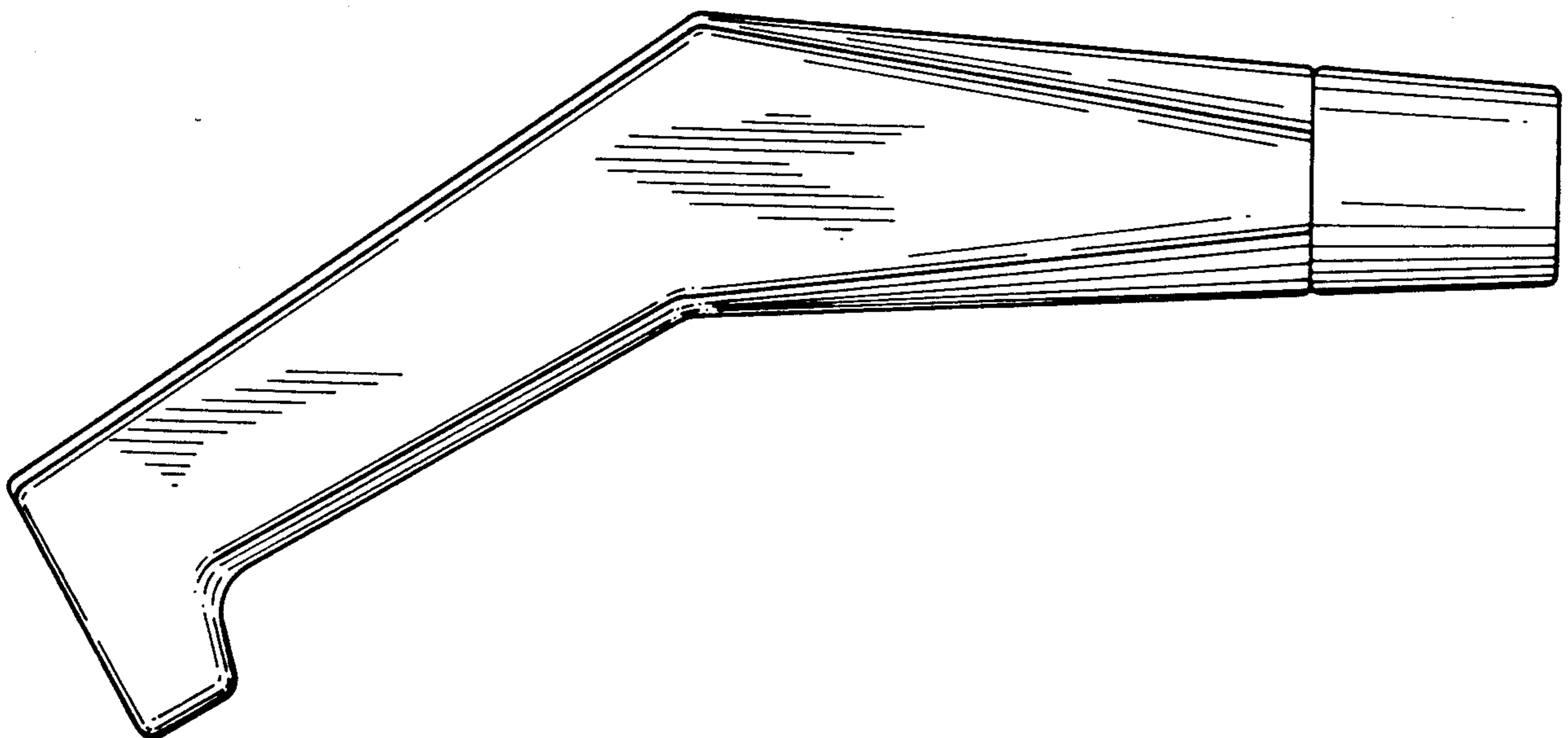


FIG.1

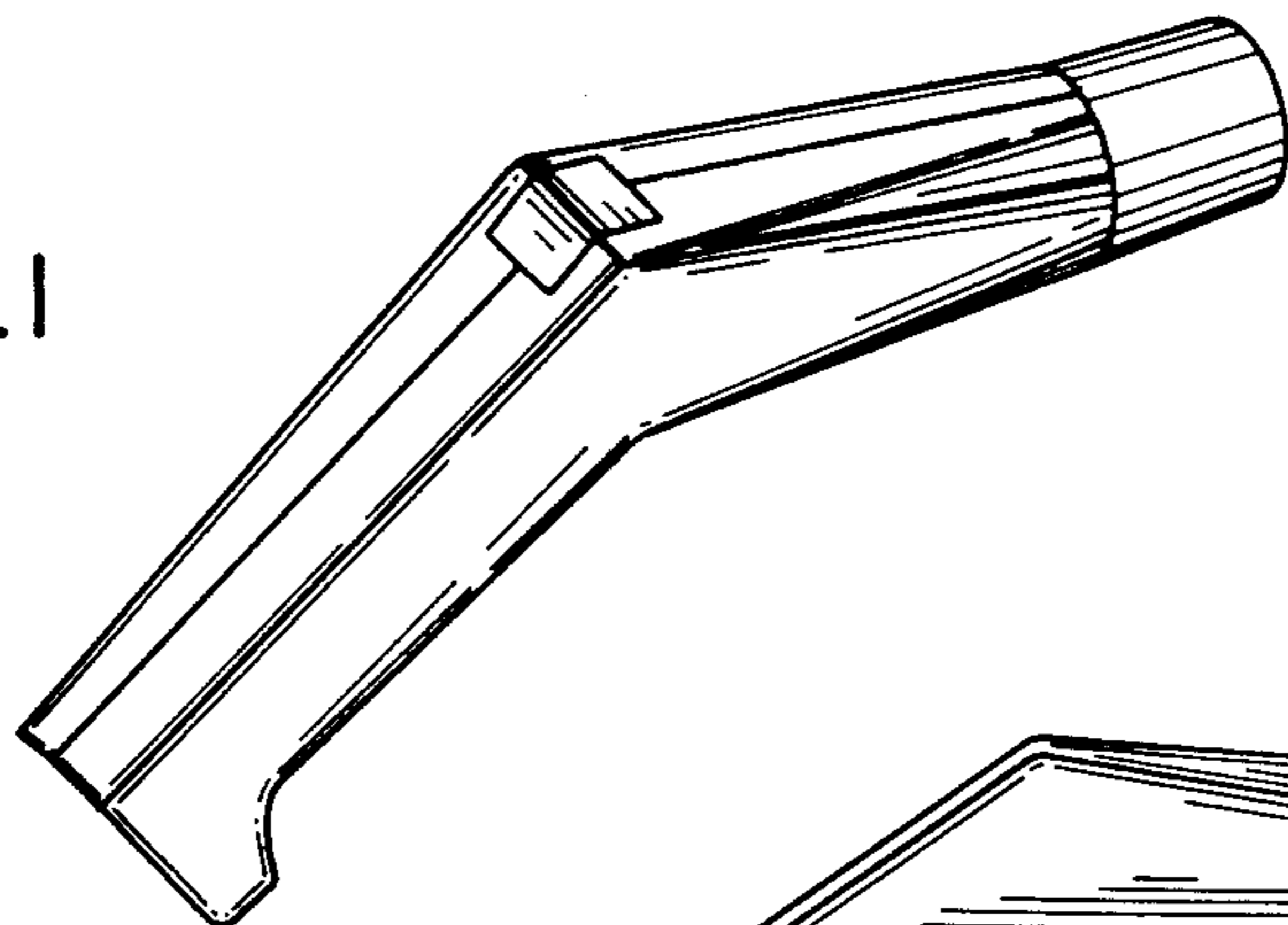


FIG.2

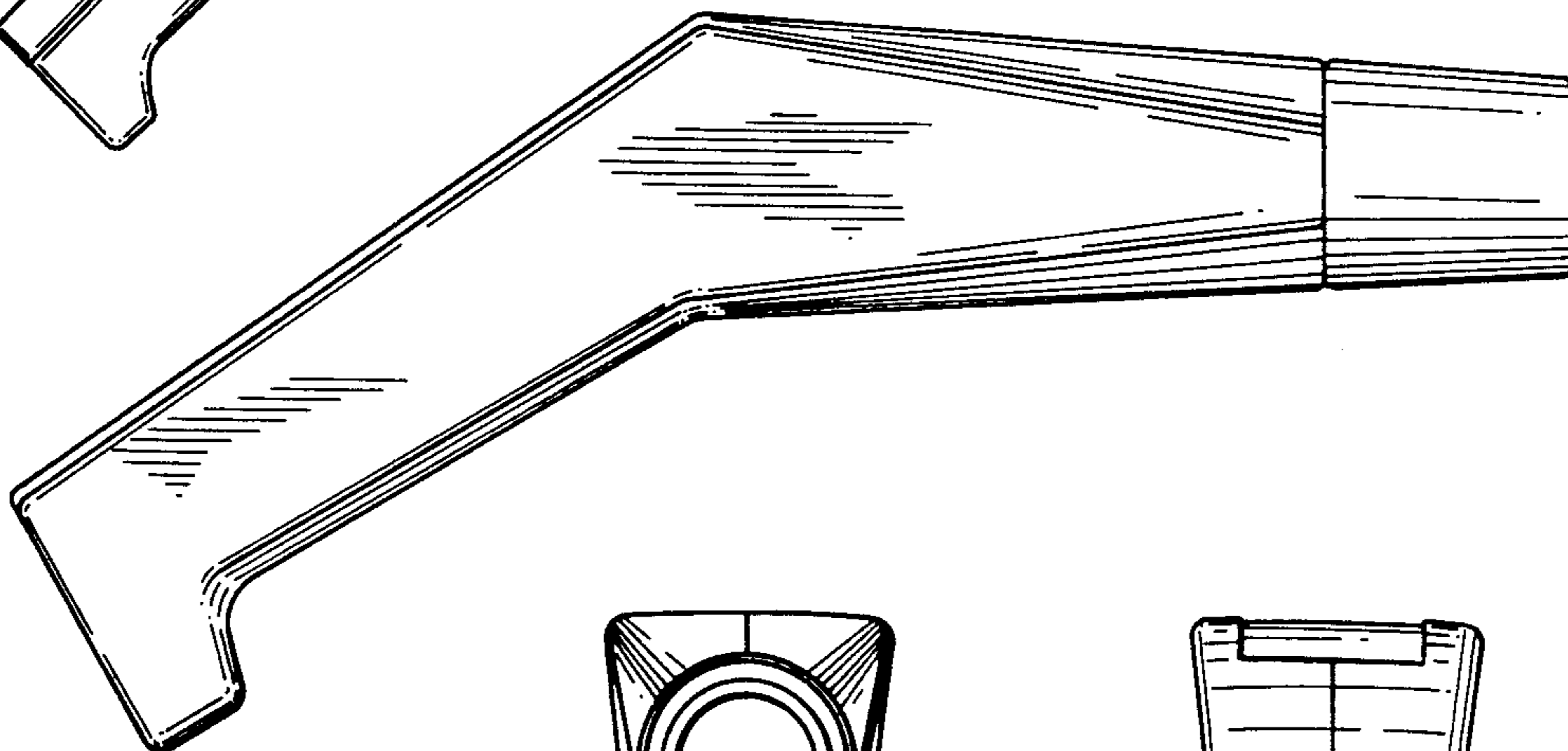


FIG.3

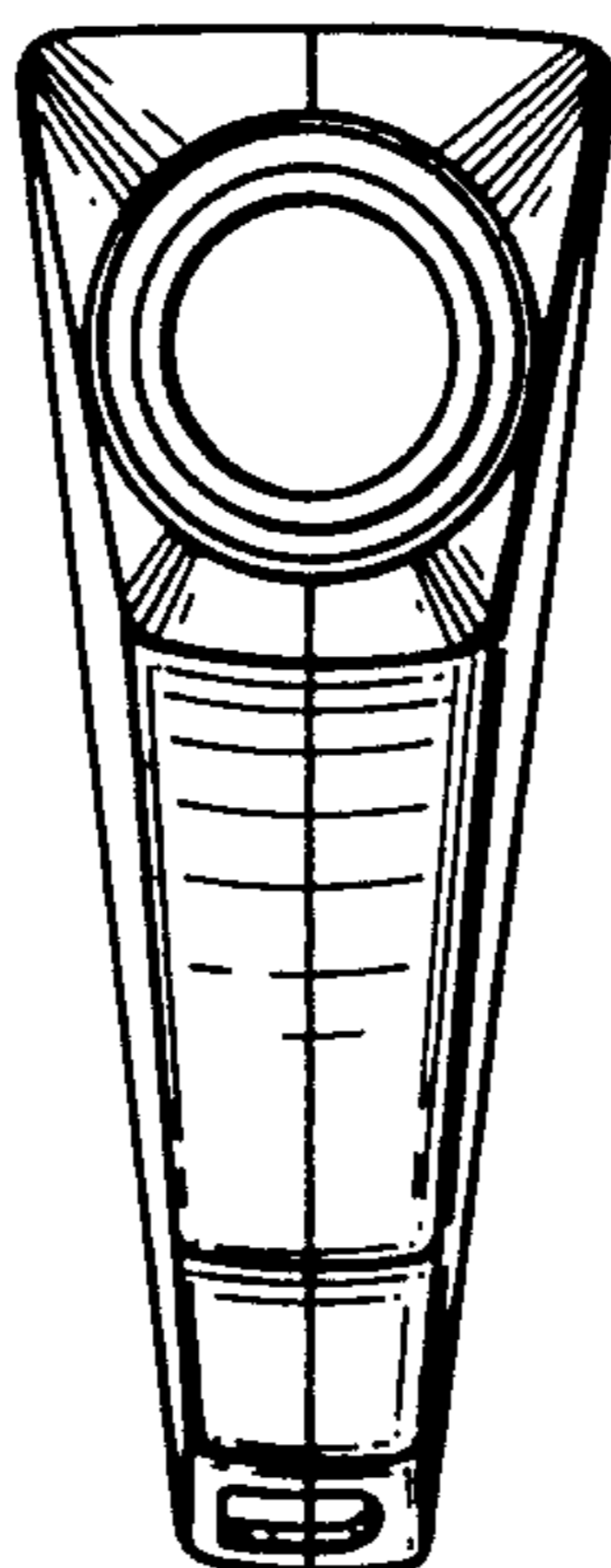


FIG.4

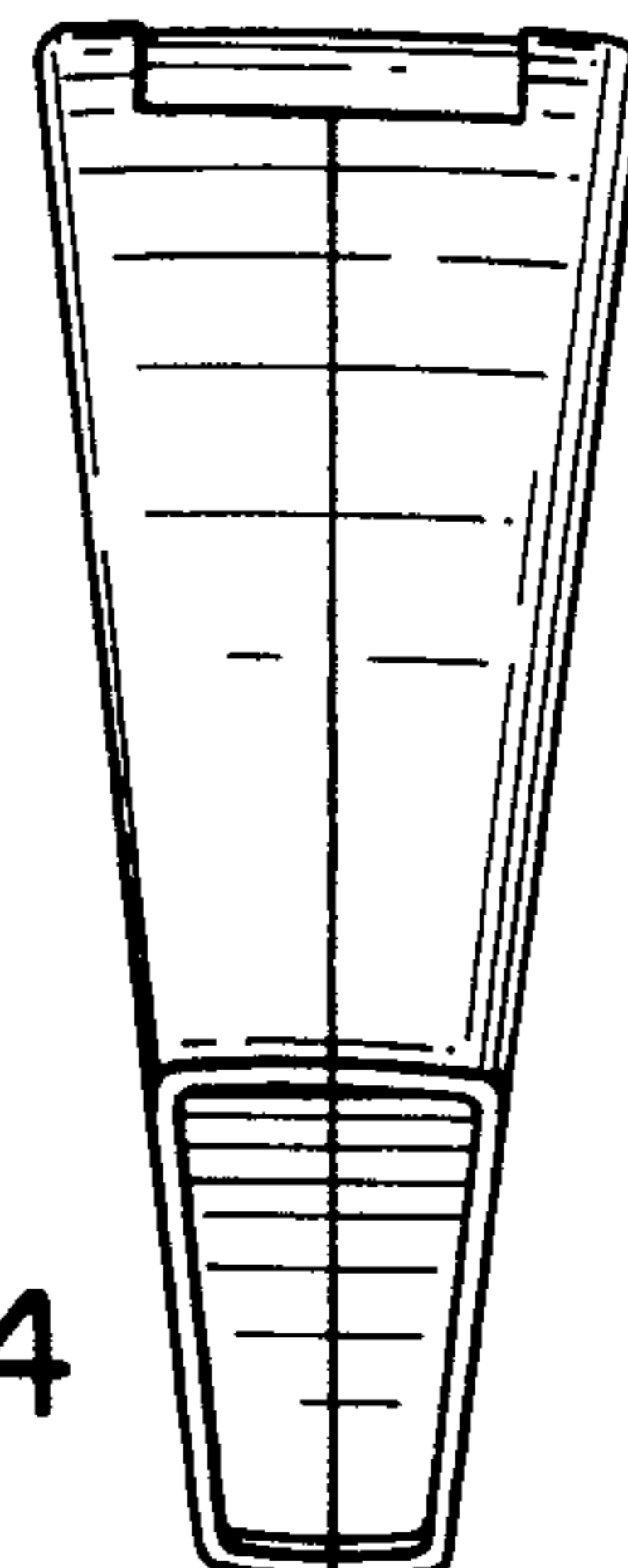


FIG.5

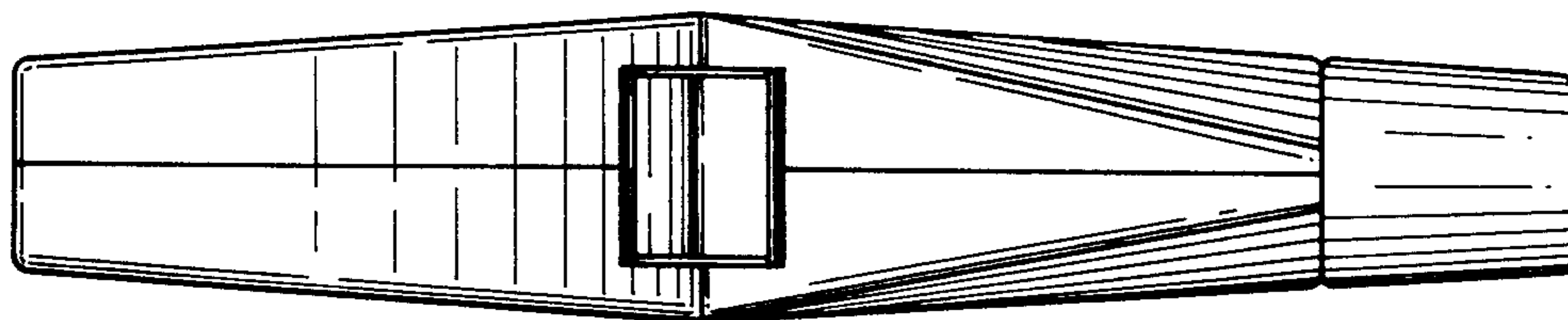


FIG.6

