

[54] CONTAINER LID

[75] Inventor: Thomas Morrison Gardiner,
Cookshire, Canada

[73] Assignee: Polysar Limited, Sarnia, Canada

[**] Term: 14 Years

[21] Appl. No.: 611,122

[22] Filed: Sept. 8, 1975

[30] Foreign Application Priority Data

Mar. 17, 1975 Canada 1703753

[51] Int. Cl. D9-07

[52] U.S. Cl. D9/267

[58] Field of Search D9/254, 267, 220, 216;
206/519; 220/306; 150/.5; 229/1.5

[56] References Cited

U.S. PATENT DOCUMENTS

3,065,875	11/1962	Negoro	220/306
3,373,896	3/1968	Davis	220/306
D. 182,301	3/1958	Pancrazi	D9/285
D. 221,420	8/1971	Davis	D9/267

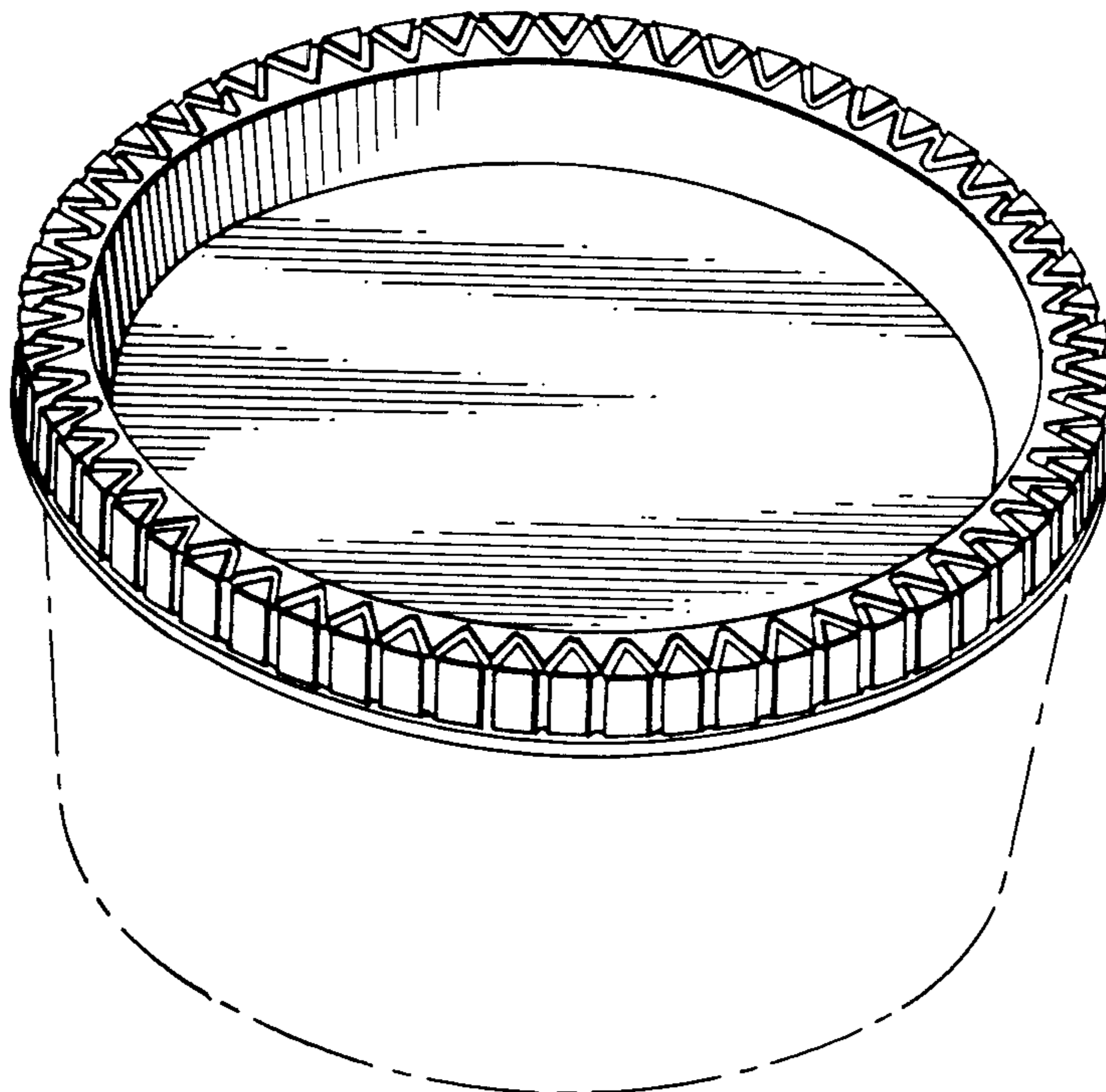
Primary Examiner—Robert C. Spangler
Attorney, Agent, or Firm—Davidson C. Miller

[57] CLAIM

The ornamental design for a container lid, as shown and described.

DESCRIPTION

FIG. 1 is a top perspective view of a container lid showing my new design, a container being shown in broken lines for illustrative purposes only; FIG. 2 is an enlarged perspective view of a fragment of the container lid; and FIG. 3 is an enlarged plan view of a fragment of the container lid.



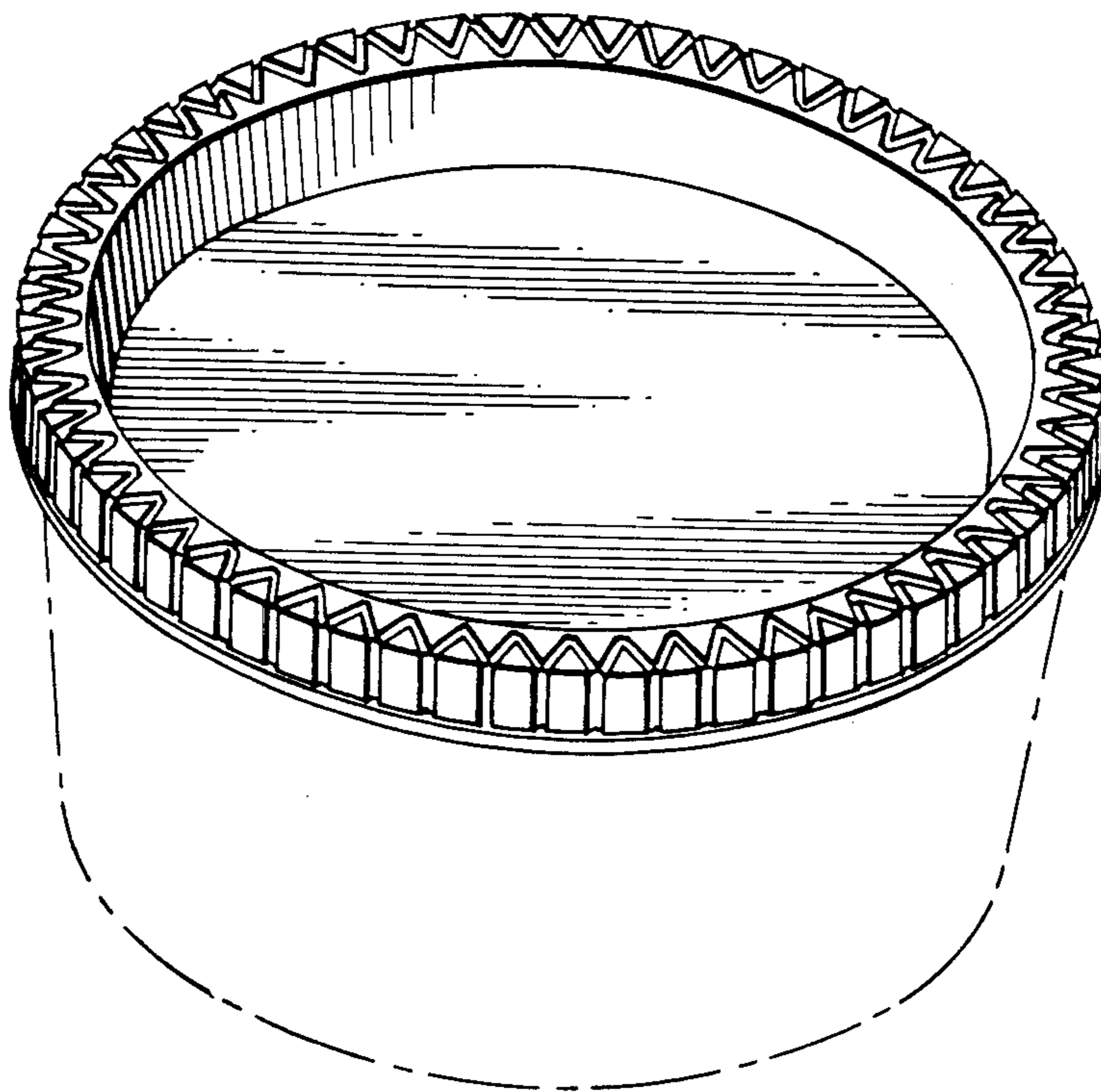


FIG. 1

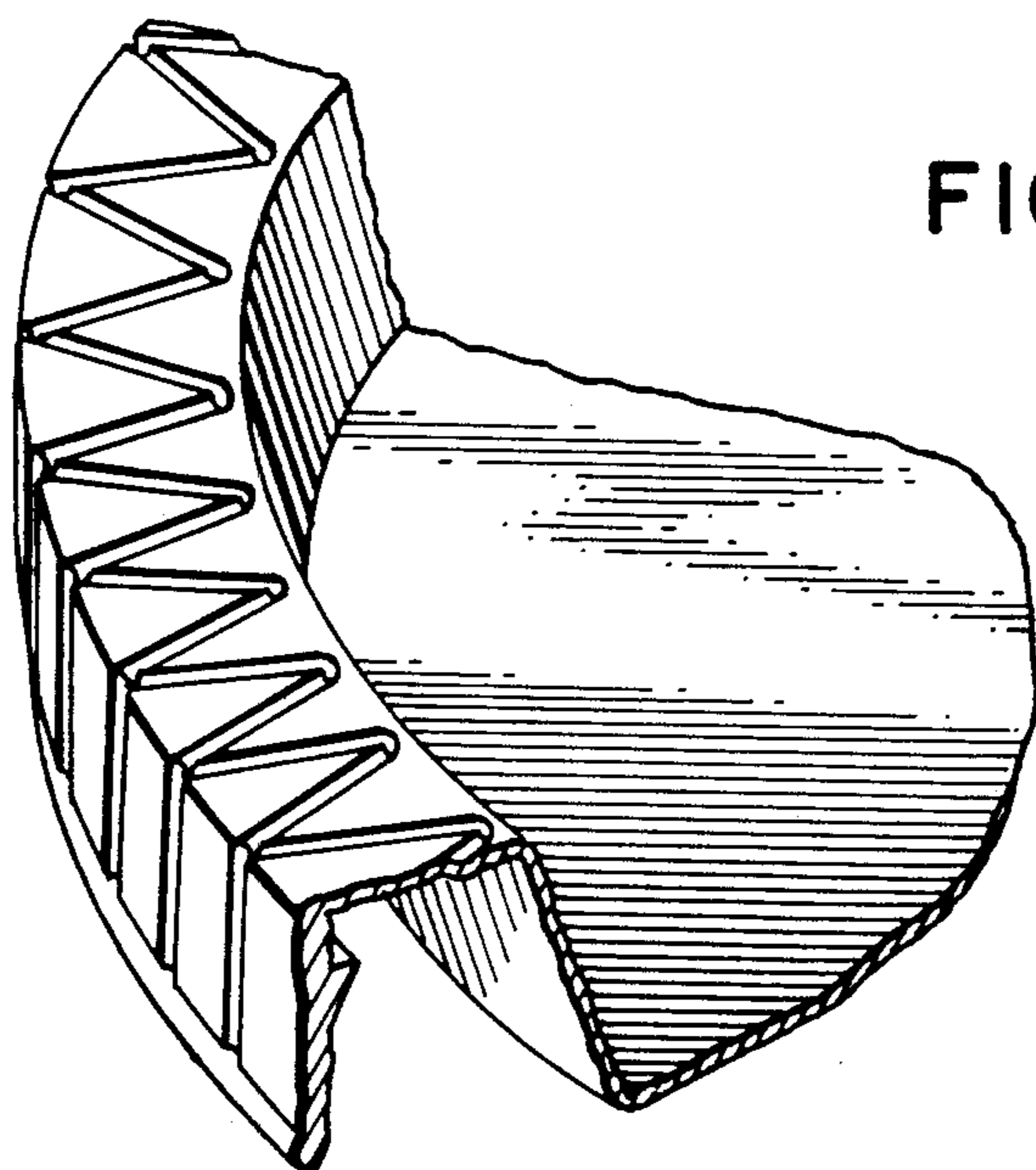


FIG. 2

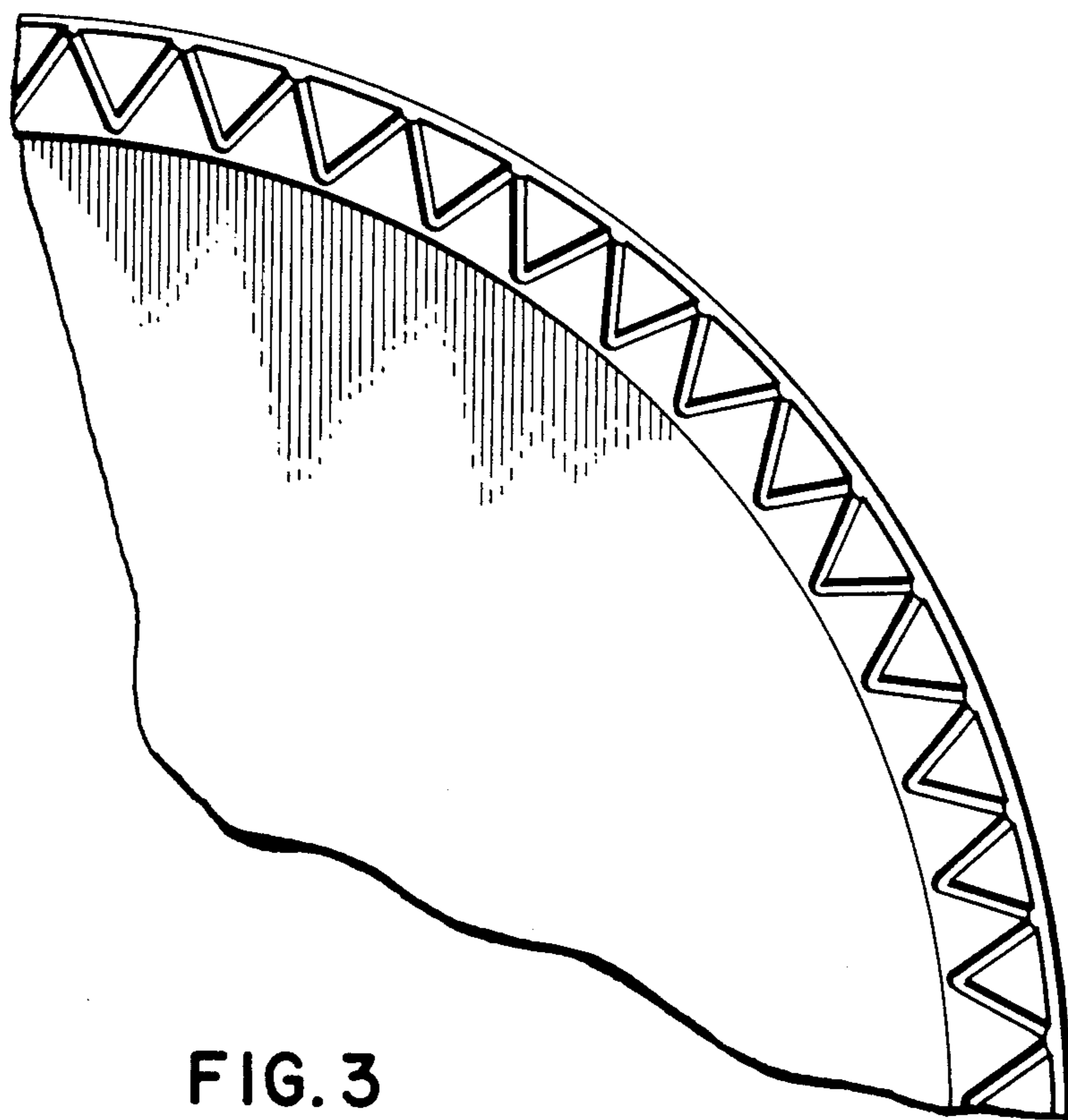


FIG. 3