

[54] LOOSE FILL MATERIAL DISPENSING VALVE

[76] Inventors: James R. Green, 5550 Emerywood Drive, Buena Park, Calif. 90621; Adolf Wegmann, 1710 Rosewood Drive, Monrovia, Calif. 91016

[\*\*] Term: 14 Years

[21] Appl. No.: 628,359

[22] Filed: Nov. 3, 1975

[51] Int. Cl. D9-07

[52] U.S. Cl. D9/290

[58] Field of Search D9/249, 171, 257, 290, D9/275; 222/80, 181, 185, 556

[56]

References Cited

U.S. PATENT DOCUMENTS

|            |         |                      |         |
|------------|---------|----------------------|---------|
| 867,292    | 10/1907 | Neef .....           | 222/181 |
| 3,924,781  | 12/1975 | Witte .....          | 222/80  |
| D. 189,005 | 10/1960 | Oddo, Jr. ....       | D9/290  |
| D. 238,935 | 2/1976  | Fahnrich et al. .... | D9/275  |
| D. 241,125 | 8/1976  | Knapp .....          | D9/290  |

Primary Examiner—Robert C. Spangler  
Attorney, Agent, or Firm—Robert H. Fraser

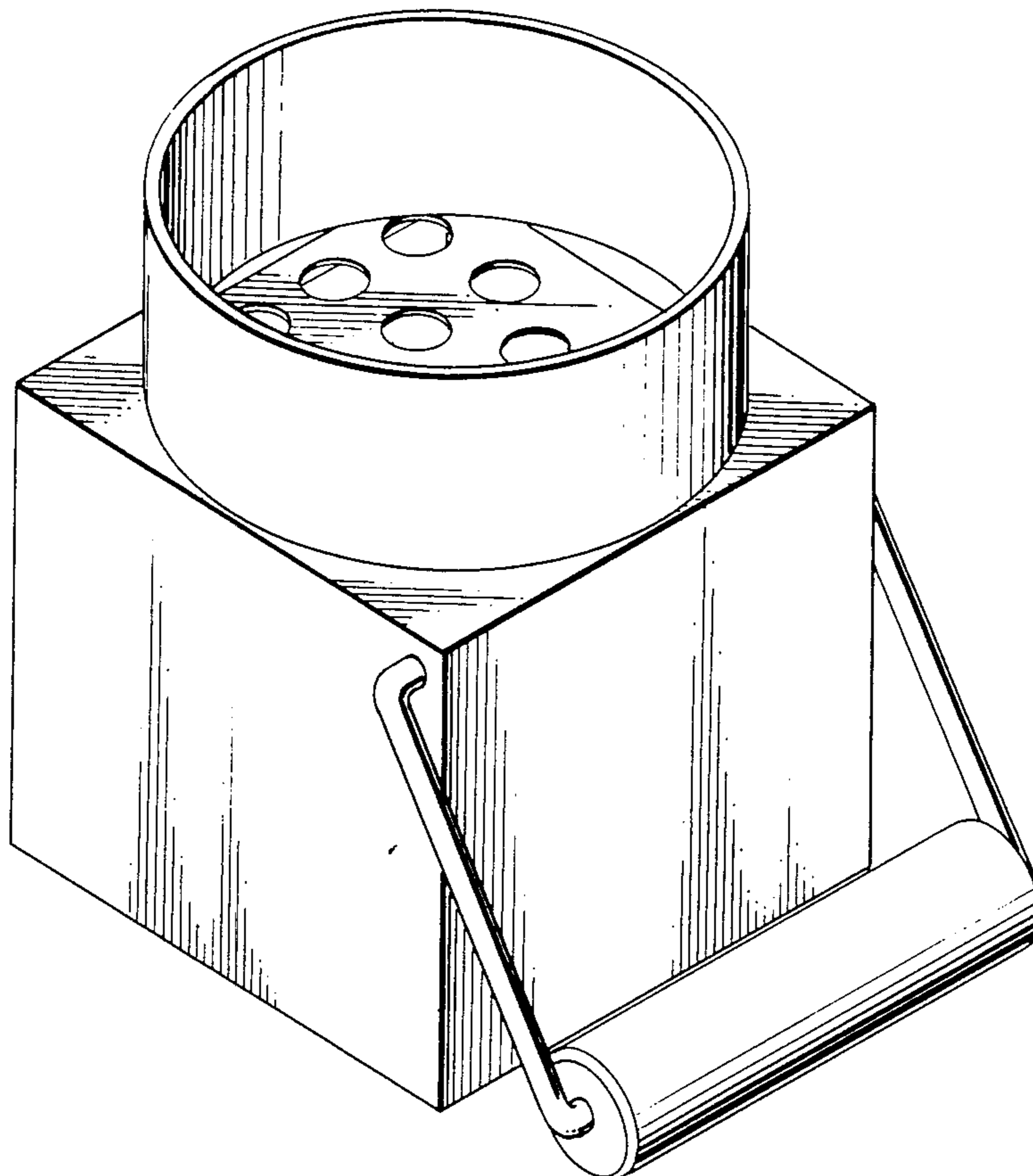
[57]

CLAIM

The ornamental design for a loose fill material dispensing valve, substantially as shown and described.

DESCRIPTION

FIG. 1 is an upper left front perspective view of a loose fill material dispensing valve showing our new design; FIG. 2 is a lower right front perspective view thereof; FIG. 3 is a side elevation view thereof; FIG. 4 is a rear elevation view thereof; FIG. 5 is a top plan view thereof; and FIG. 6 is a bottom plan view thereof.



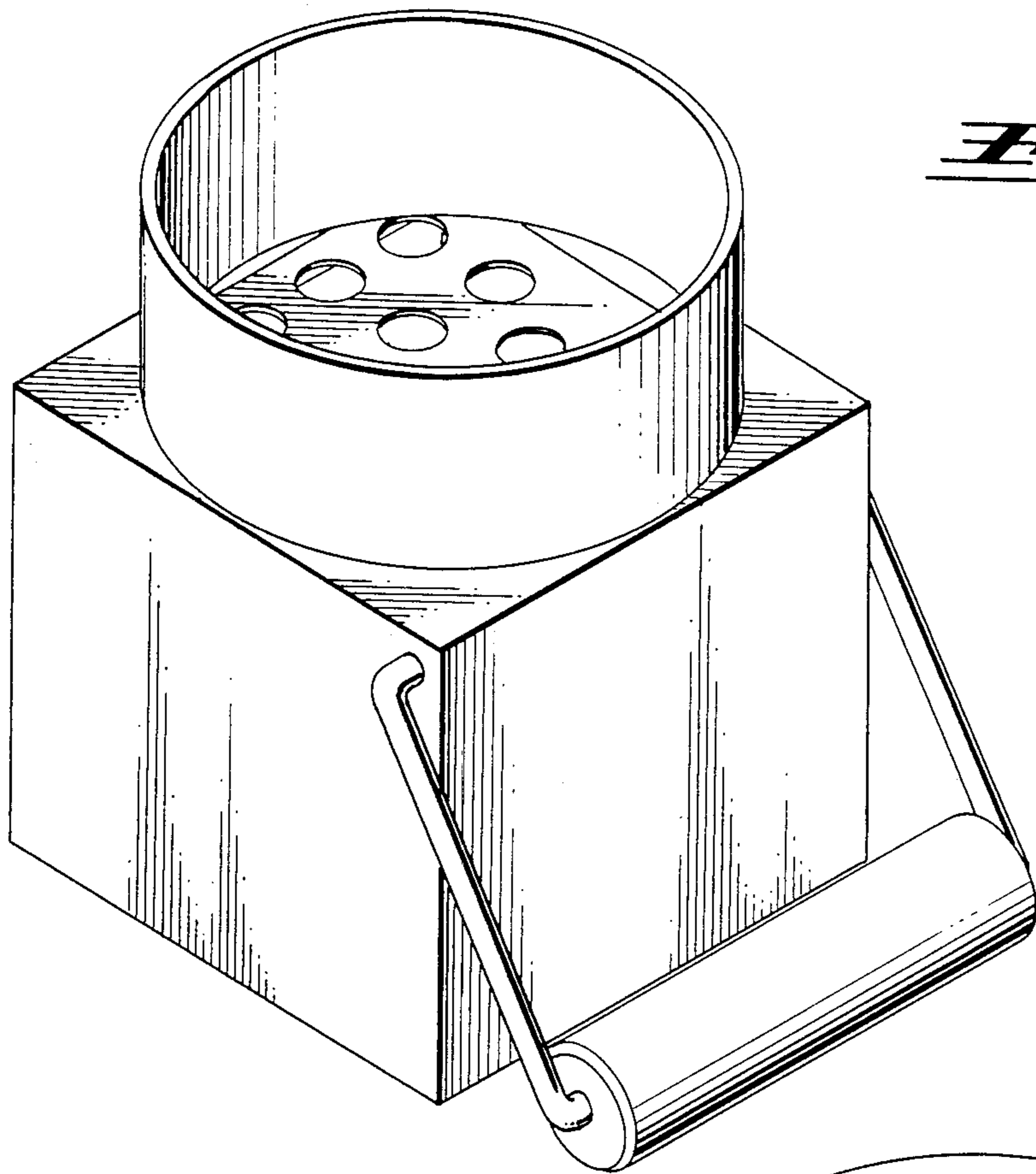


Fig. 1

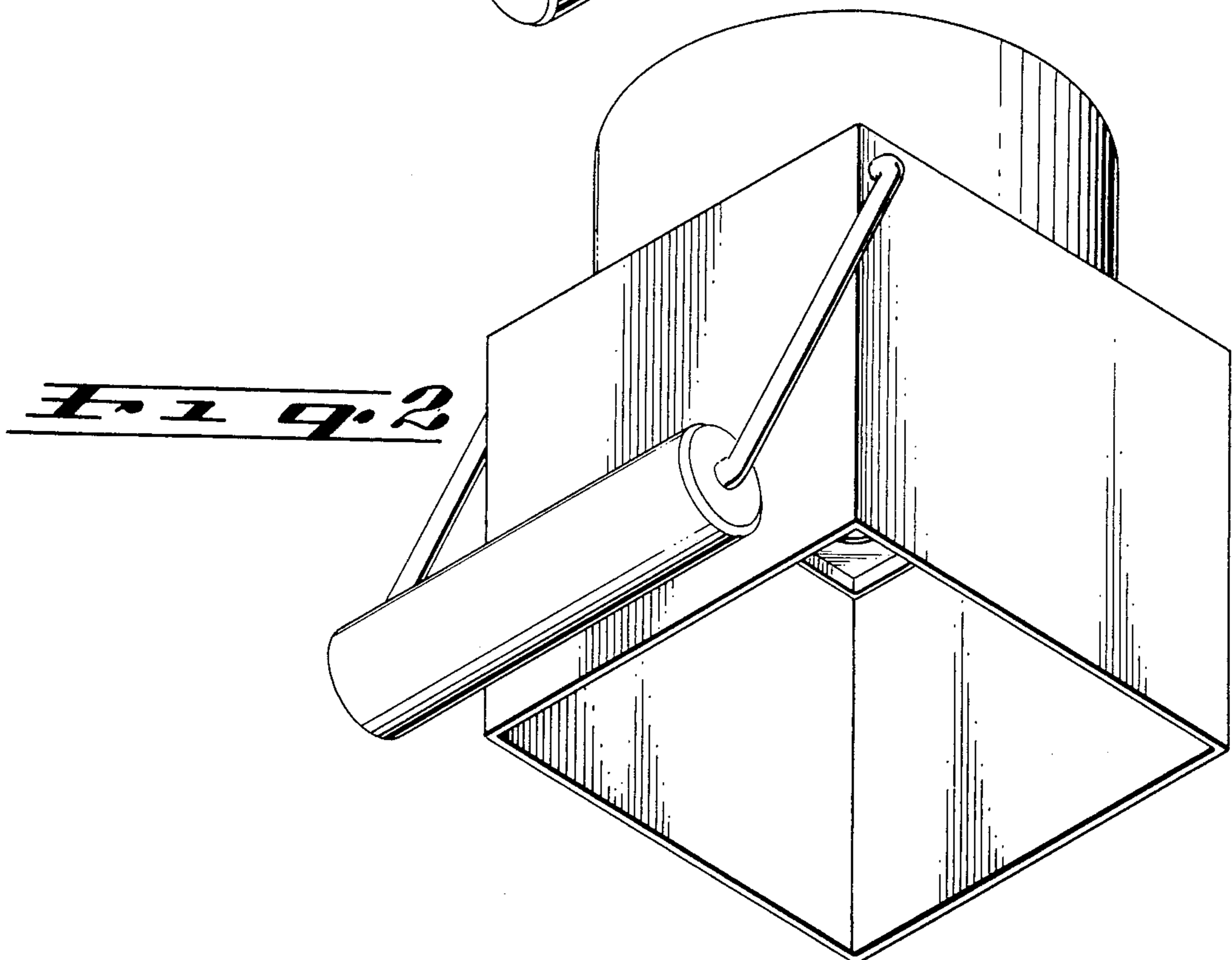


Fig. 2

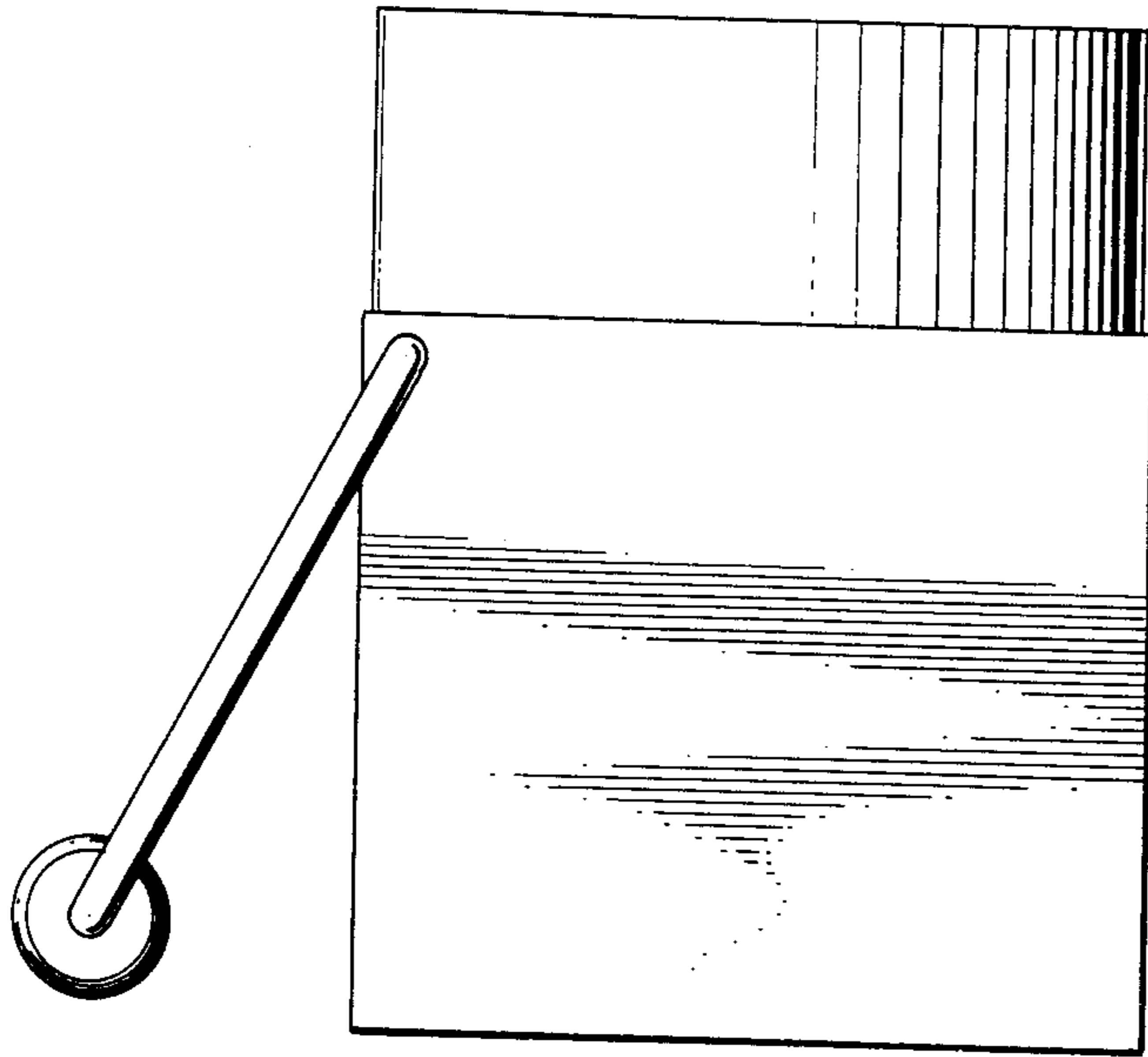


Fig. 3

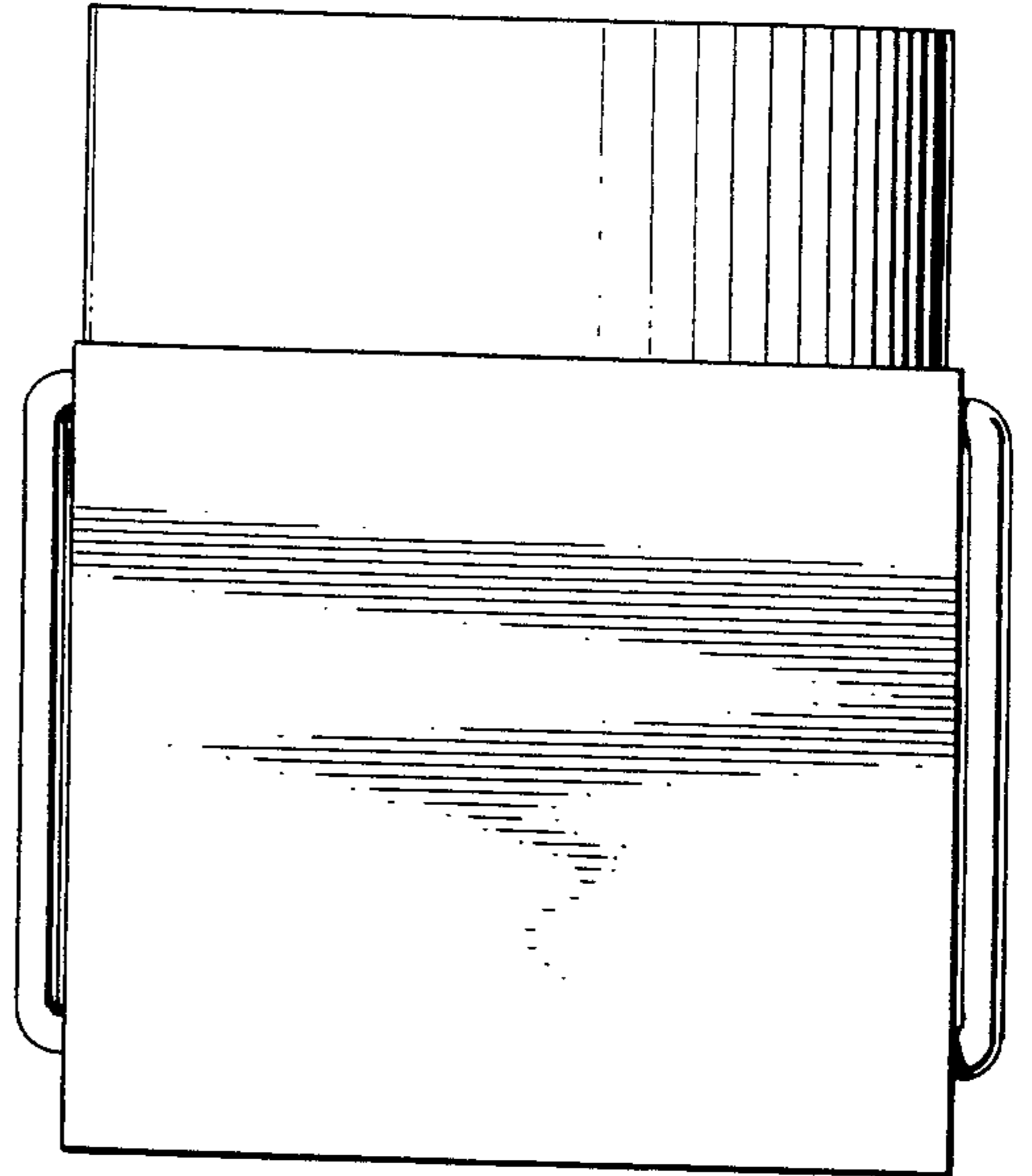


Fig. 4

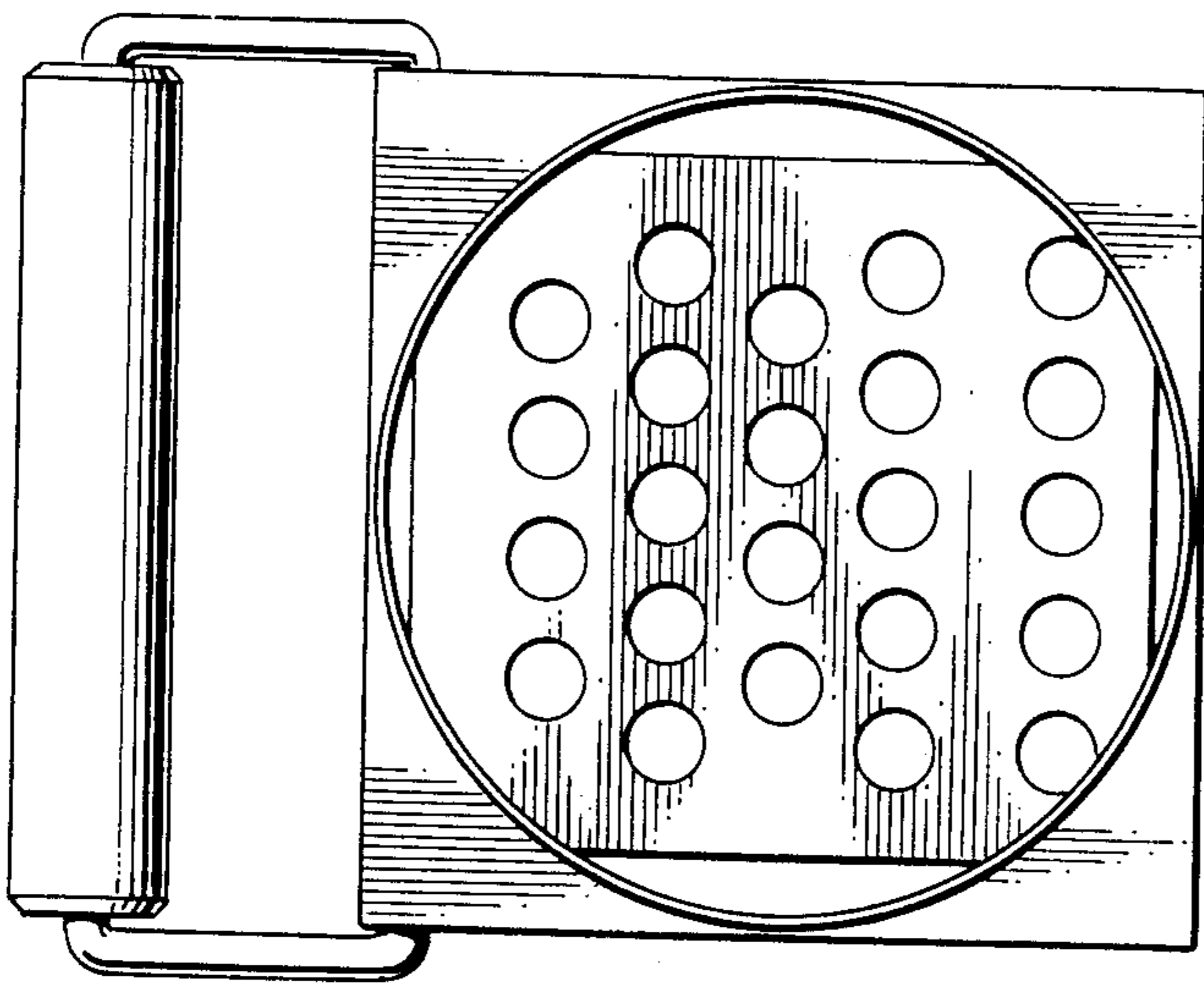


Fig. 5

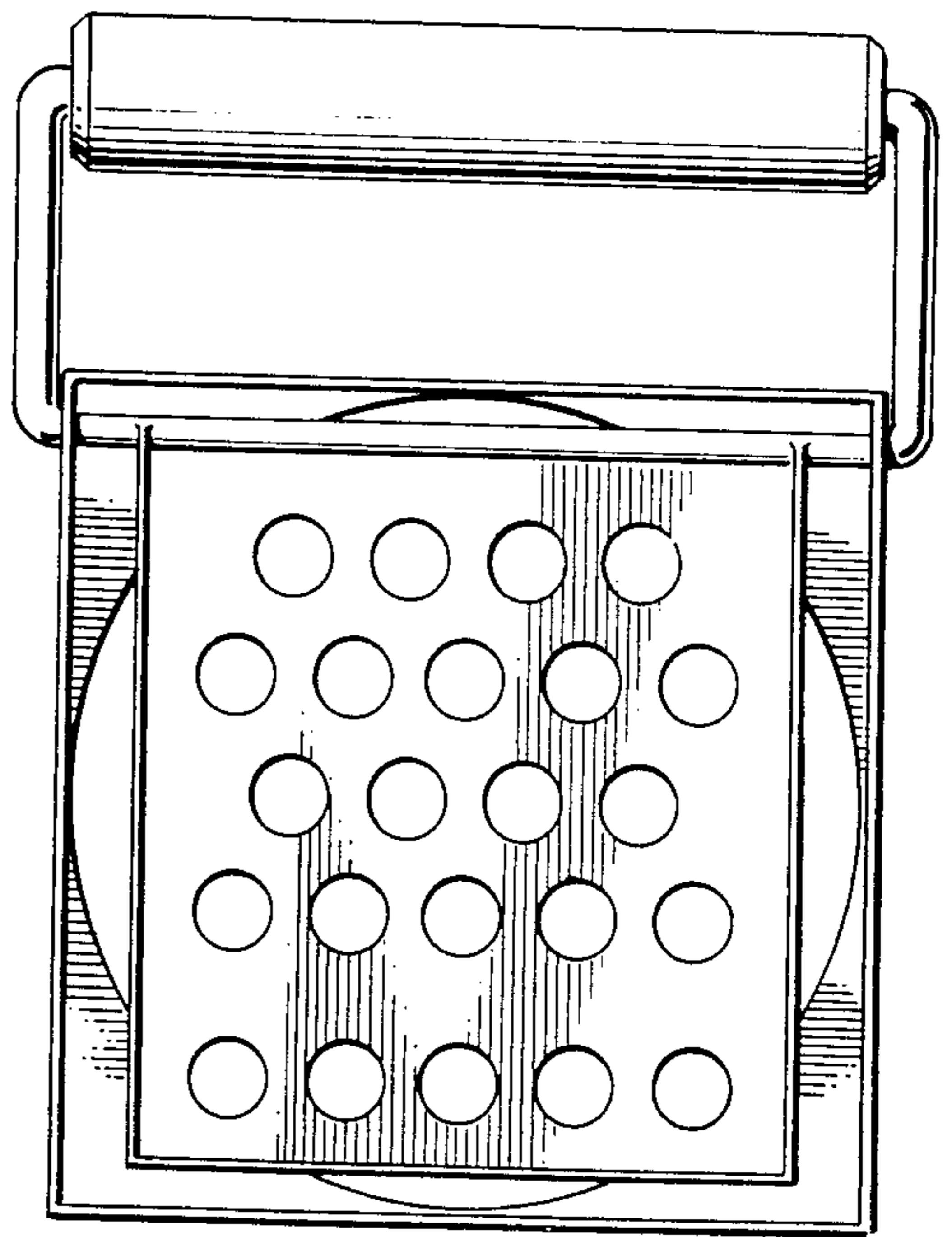


Fig. 6