

[54] CARTON

[75] Inventors: **Finn Skjelby**, Spikkestad; **Svein Slungaard**, Slemmestad, both of Norway

[73] Assignee: **Elopak A/S**, Spikkestad, Norway

[**] Term: **14 Years**

[21] Appl. No.: **553,544**

[22] Filed: **Feb. 27, 1975**

Related U.S. Application Data

[63] Continuation-in-part of Ser. No. 510,021, Sept. 27, 1974, abandoned.

[30] **Foreign Application Priority Data**

Sept. 4, 1974 Norway 7456084

[51] Int. Cl. **D9-03**

[52] U.S. Cl. **D9/222**

[58] Field of Search 229/6 R, 16 R, 14 R, 229/30, 34 R, 34 A, 41 B, 43; D9/171, 222, 176-179, 242-247, 254, 267, 219; 220/356

[56]

References Cited

U.S. PATENT DOCUMENTS

2,221,177	11/1940	Berenson et al.	220/356
2,772,043	11/1956	Foord	229/43
3,055,540	9/1962	Ringlen	229/43
3,499,596	3/1970	McCormick	229/34 R
D. 190,450	5/1961	Sanchez	D9/184
D. 205,968	10/1966	Bostrum	D9/219
D. 230,343	2/1974	Mallonn	D9/254

Primary Examiner—Robert C. Spangler
Attorney, Agent, or Firm—Eric H. Waters

[57]

CLAIM

The ornamental design for a carton, substantially as shown and described.

DESCRIPTION

FIG. 1 is a perspective view of a carton showing our new design;

FIG. 2 is an enlarged sectional view taken on the line 2—2 of FIG. 1;

FIG. 3 is a front perspective view with the cover removed;

FIG. 4 is a rear elevational view thereof;

FIG. 5 is a top plan view thereof;

FIG. 6 is a bottom plan view thereof;

FIG. 7 is a sectional view taken on the line 7—7 of FIG. 5; and

FIG. 8 is a sectional view taken on the line 8—8 of FIG. 5.

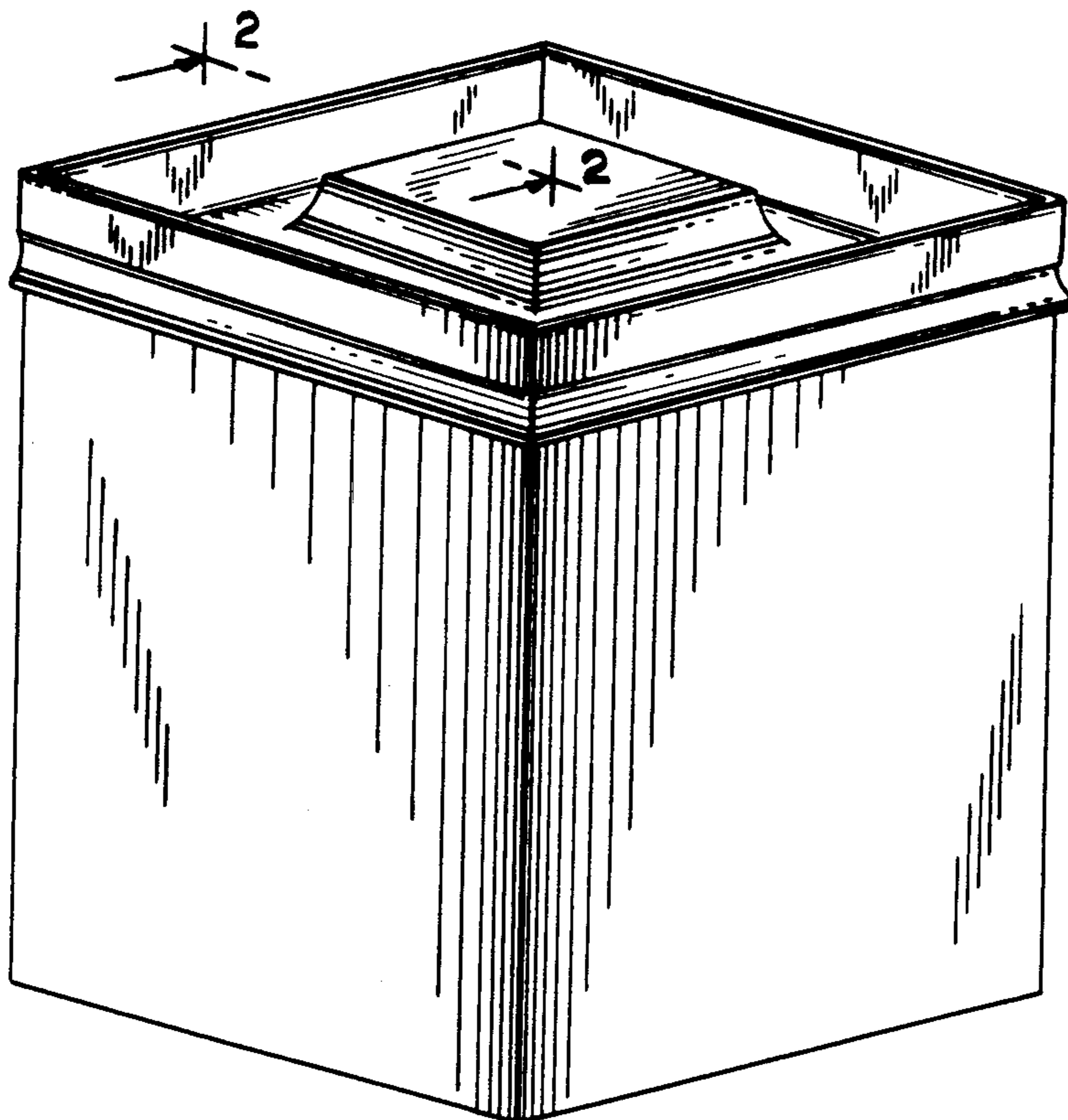


FIG. 1

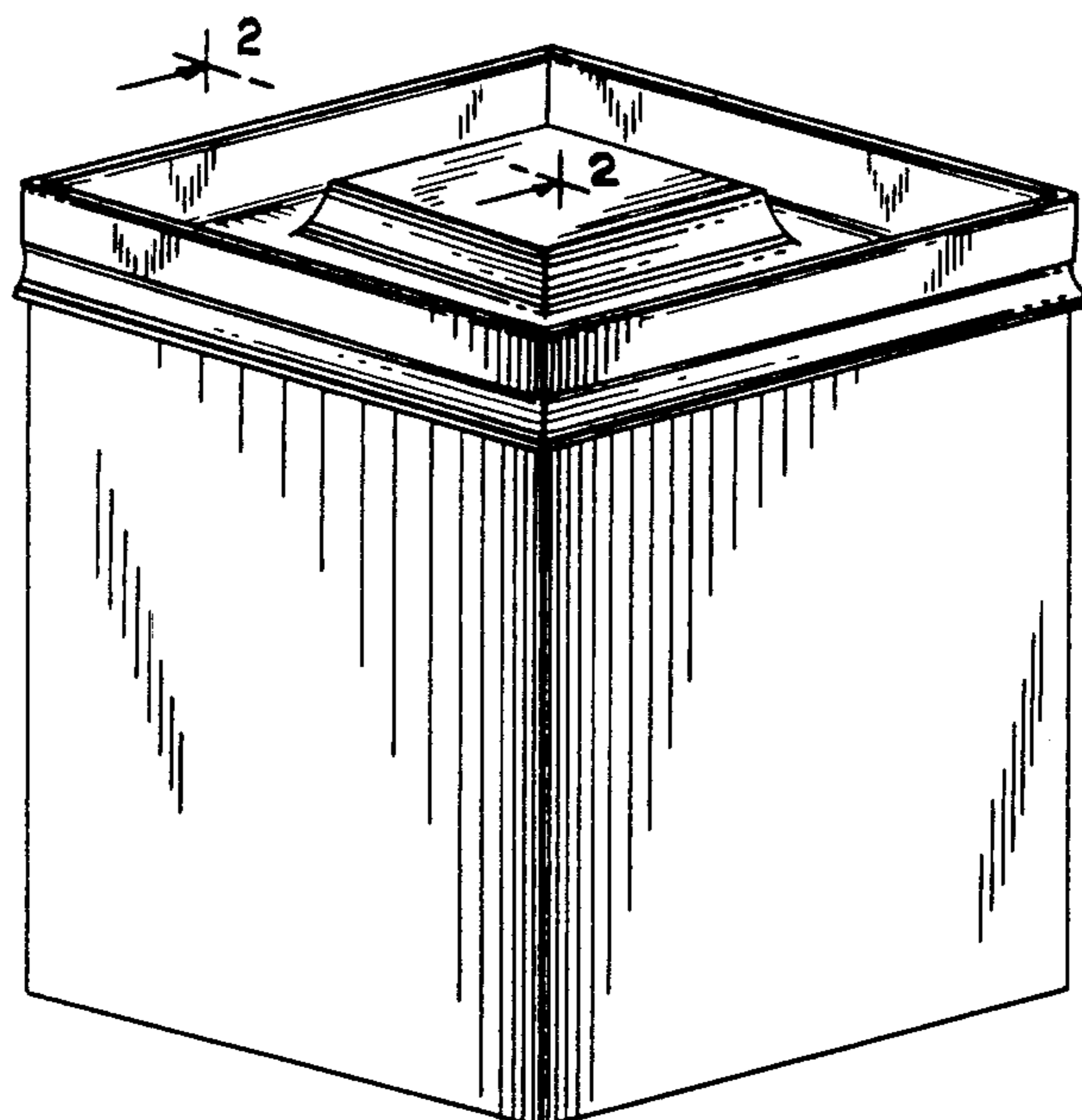
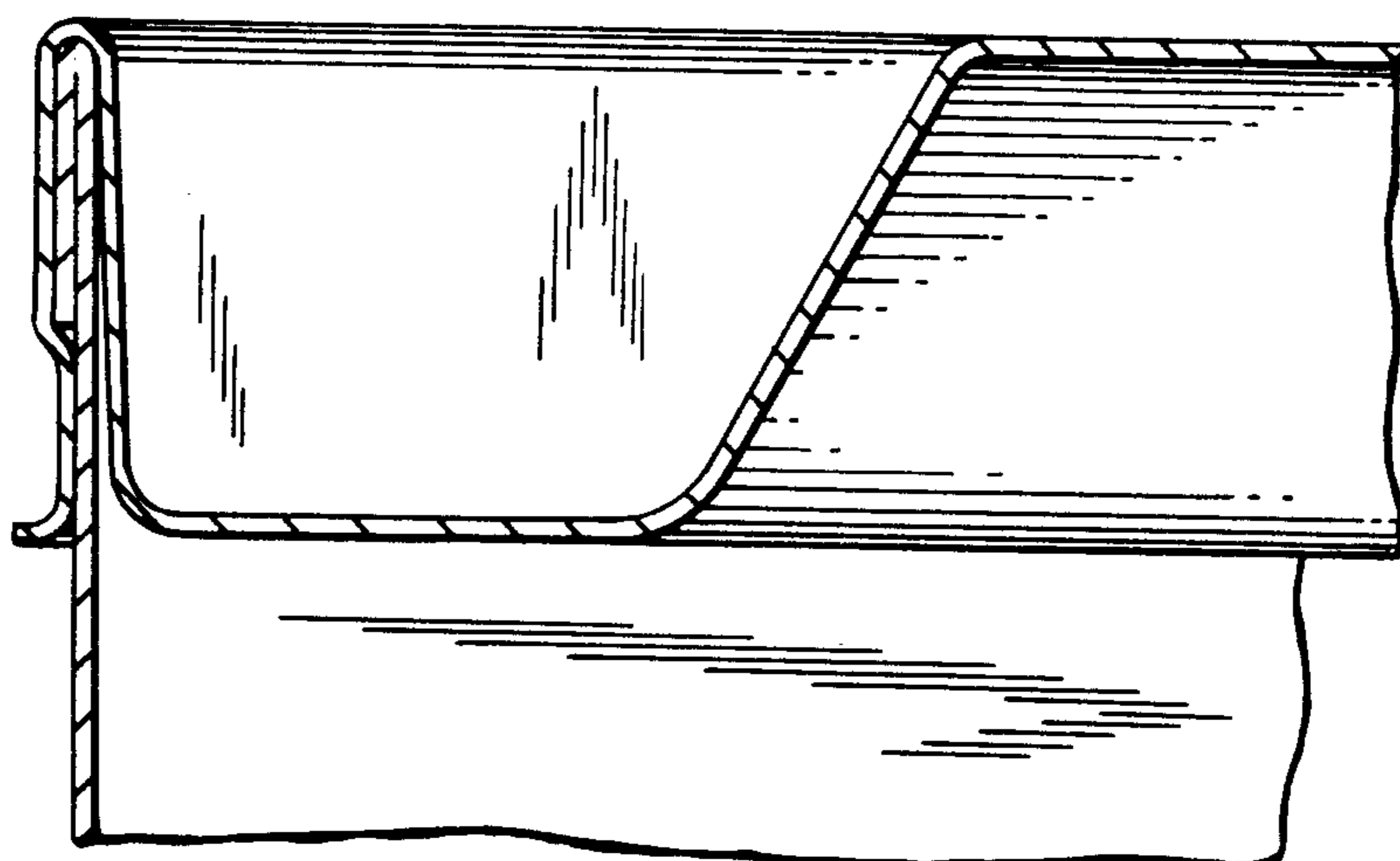


FIG. 2



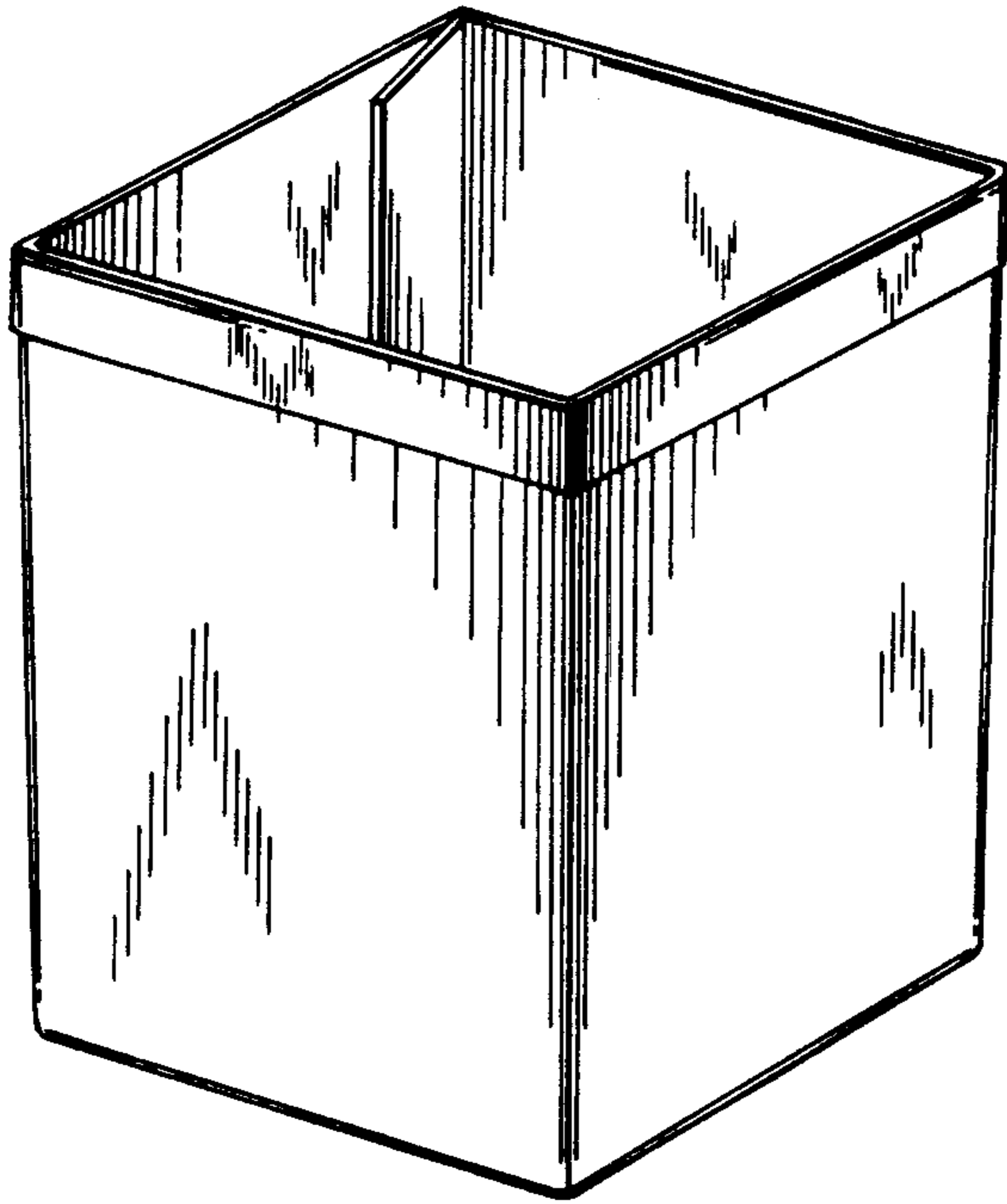


FIG. 3

FIG. 4

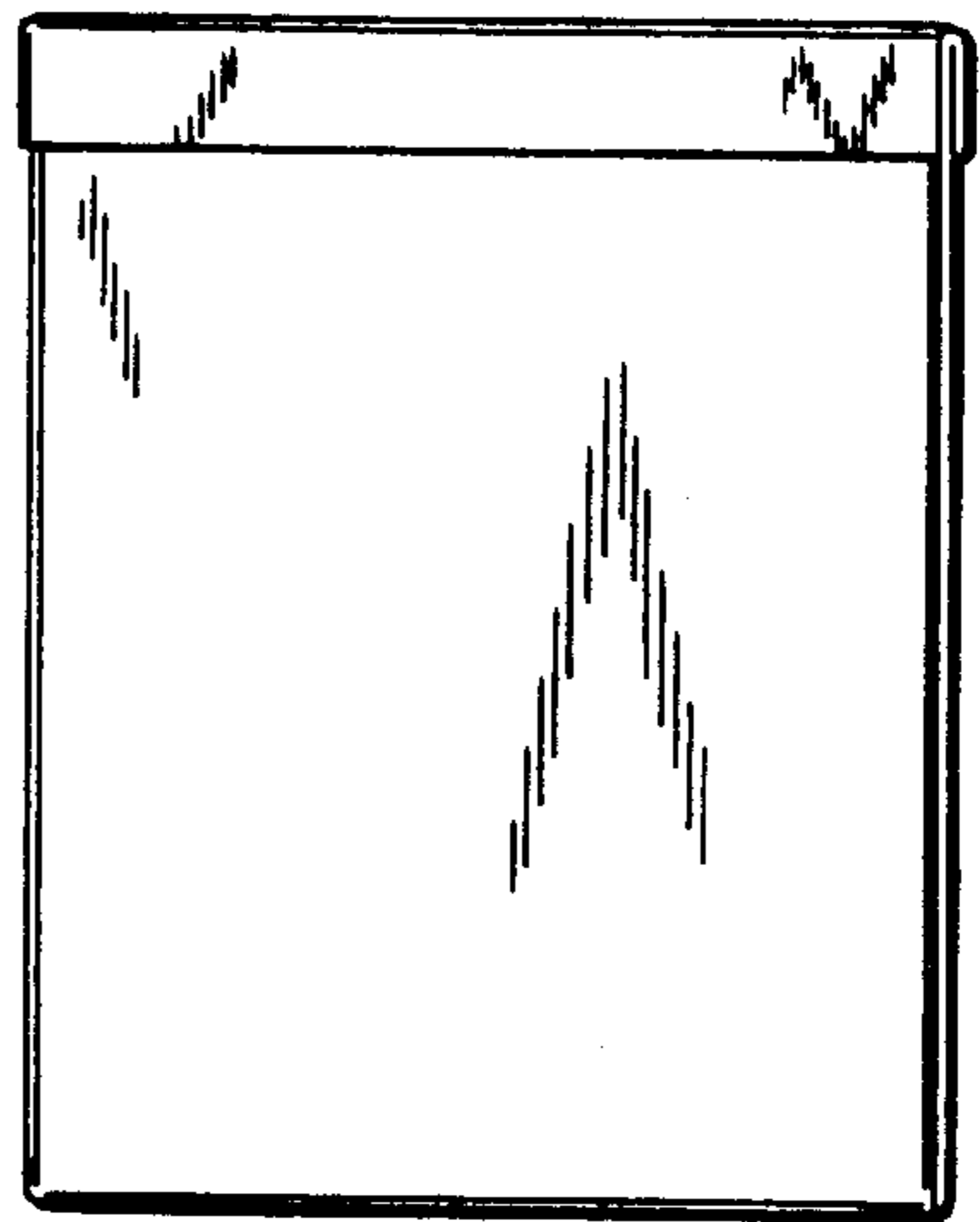


FIG. 5

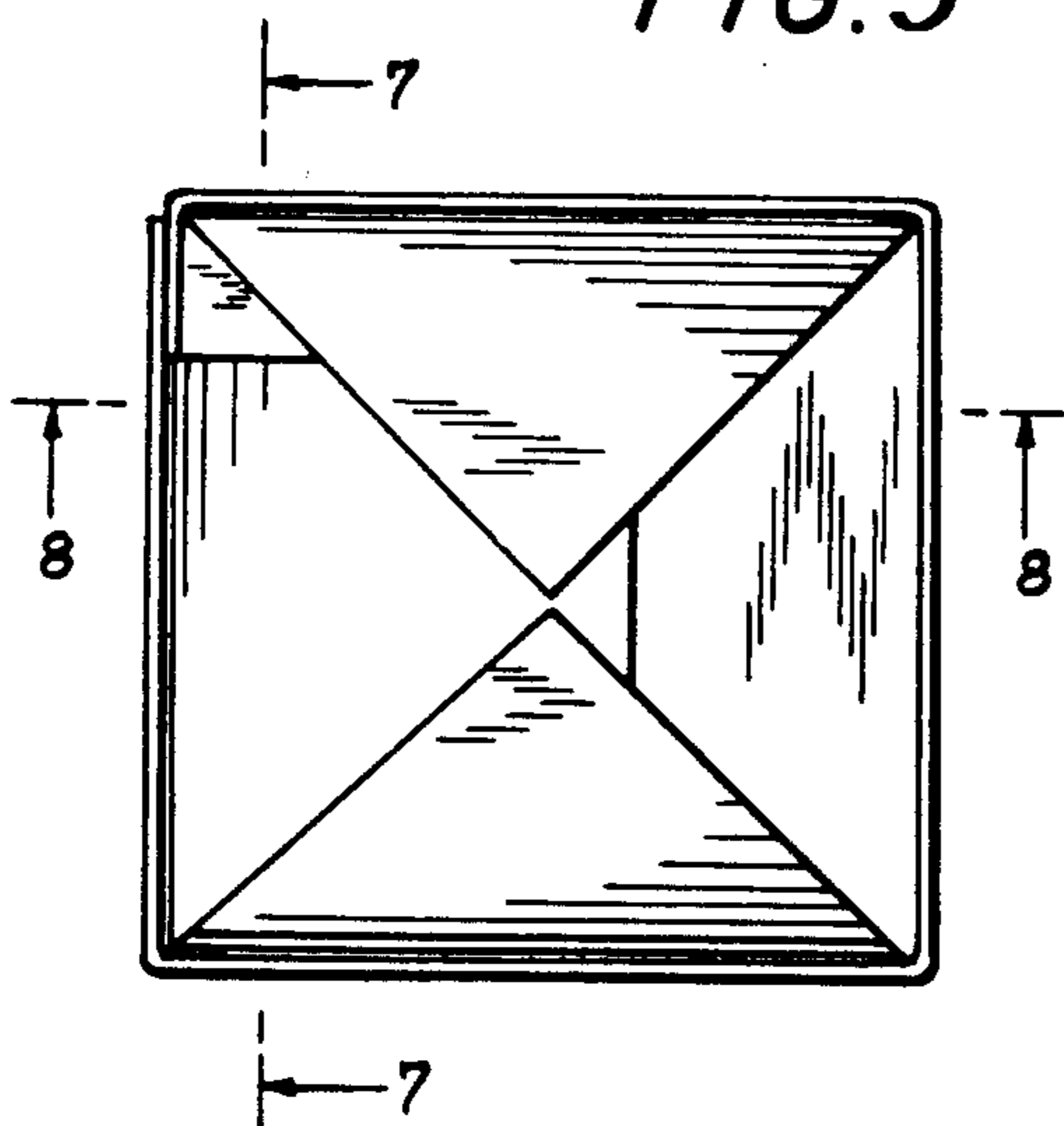


FIG. 6



FIG. 7

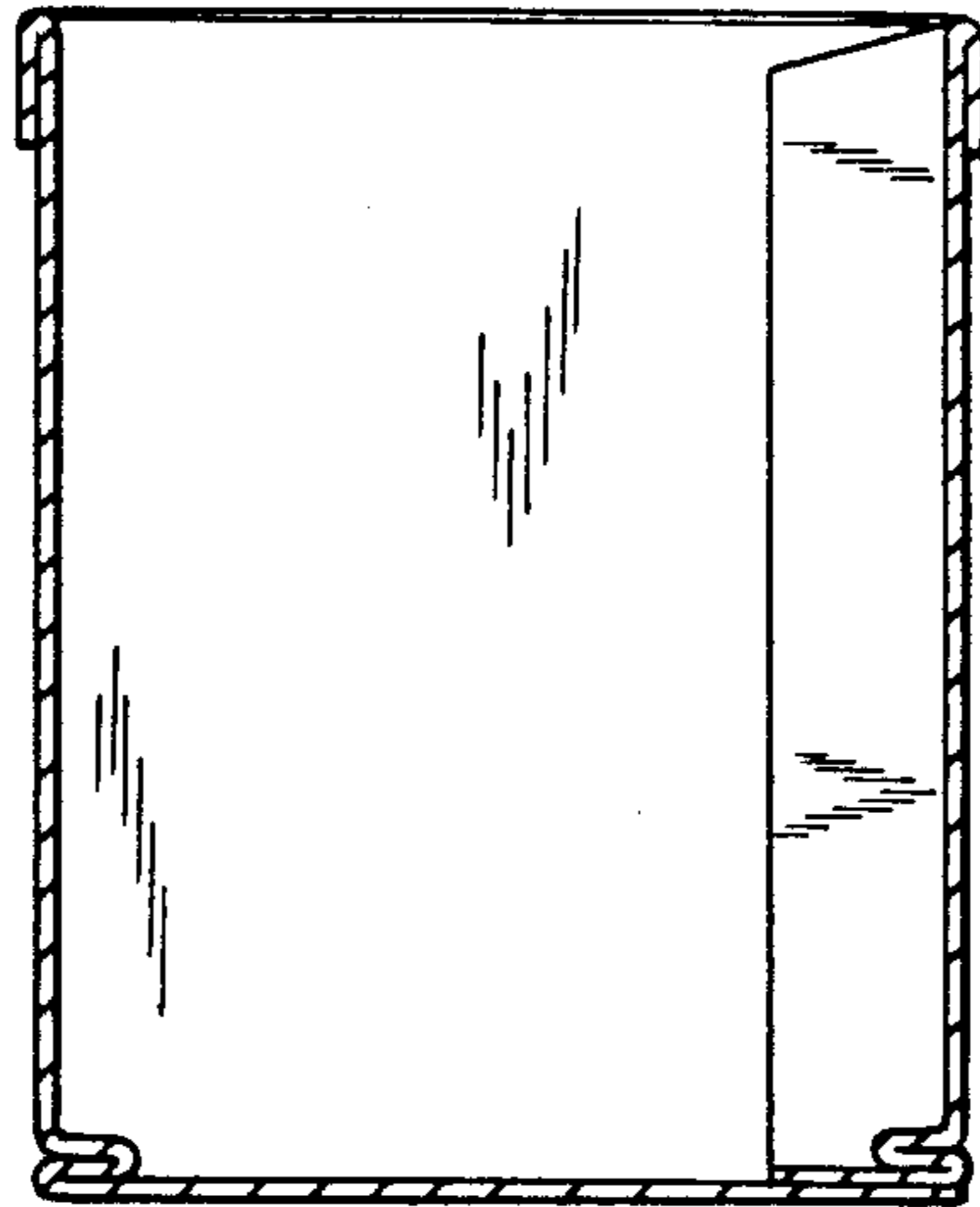


FIG. 8

