

[54] POPPER-GRILLER

[75] Inventors: Lawrence M. Rheingold, Baldwin; Alfred P. Rheingold, Freeport, both of N.Y.

[73] Assignee: Templet Industries, Inc., Plainview, N.Y.

[**] Term: 14 Years

[21] Appl. No.: 615,911

[22] Filed: Sept. 23, 1975

[51] Int. Cl. D7-02

[52] U.S. Cl. D7/95

[58] Field of Search D7/85, 87, 90, 91, 94, D7/95, 96, 99; 99/323.5, 402

[56] References Cited

U.S. PATENT DOCUMENTS

320,529 6/1885 Barbour 99/402

414,690 11/1889 Eldridge 99/402
D. 173,897 1/1955 Cunningham et al. D7/95
D. 208,804 10/1967 Henderson D7/95

FOREIGN PATENT DOCUMENTS

612,458 10/1926 France 99/402
28,348 12/1911 United Kingdom 99/323.5
16,608 7/1909 United Kingdom 99/323.5

Primary Examiner—Winifred E. Herrmann
Attorney, Agent, or Firm—Morris Kirschstein

[57] CLAIM

The ornamental design for a popper-griller, substantially as shown.

DESCRIPTION

FIG. 1 is a perspective view of a popper-griller showing our new design.

FIG. 2 is a front view of the popper-griller;

FIG. 3 is a side view of the popper-griller;

FIG. 4 is a rear view of the popper-griller; and

FIG. 5 is a bottom plan view of the popper-griller.

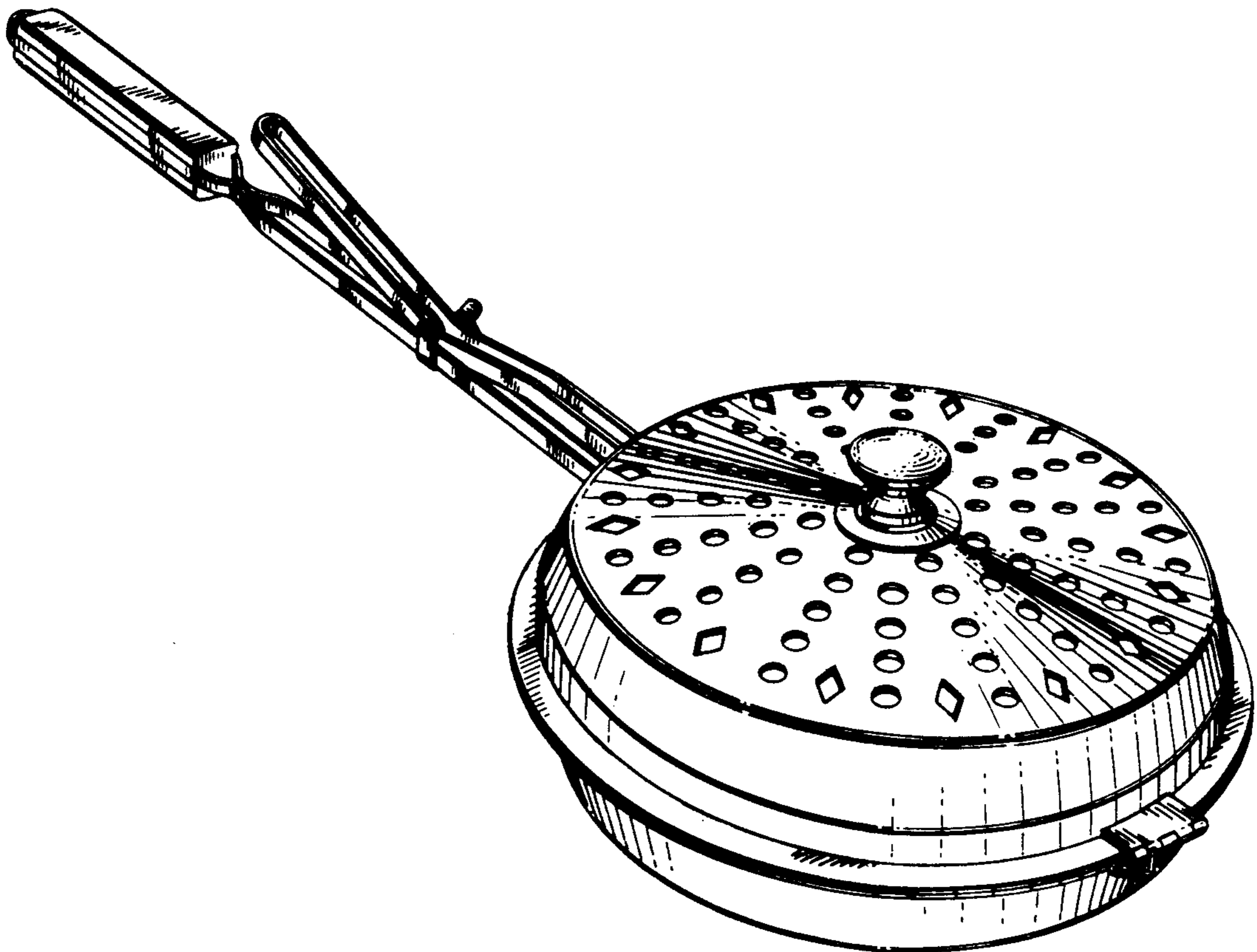


FIG. 1

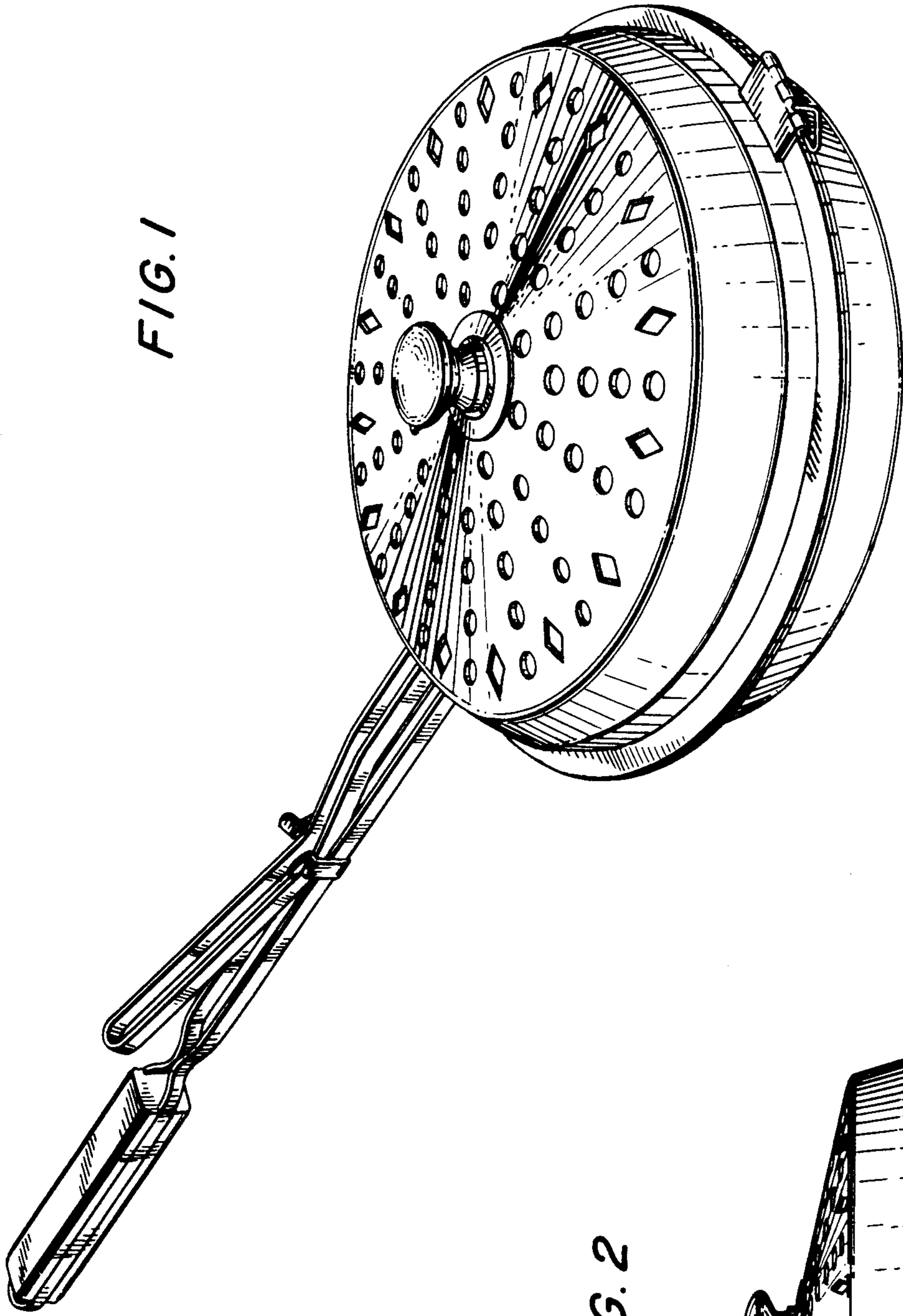


FIG. 2

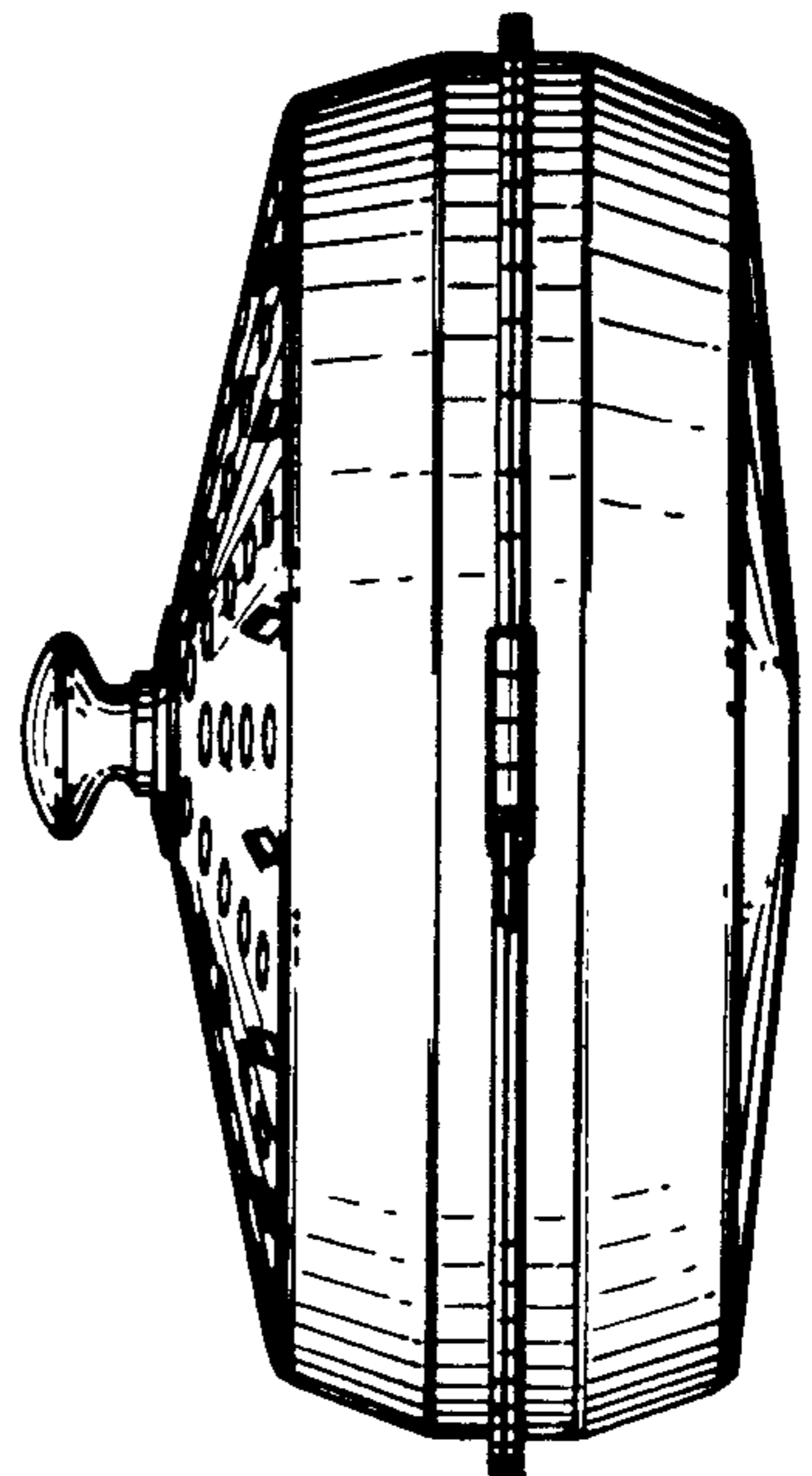


FIG. 3

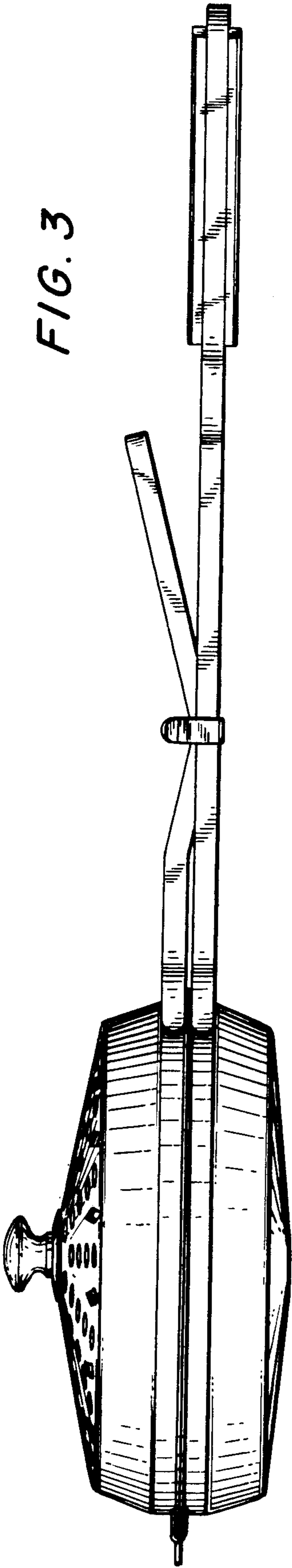


FIG. 4

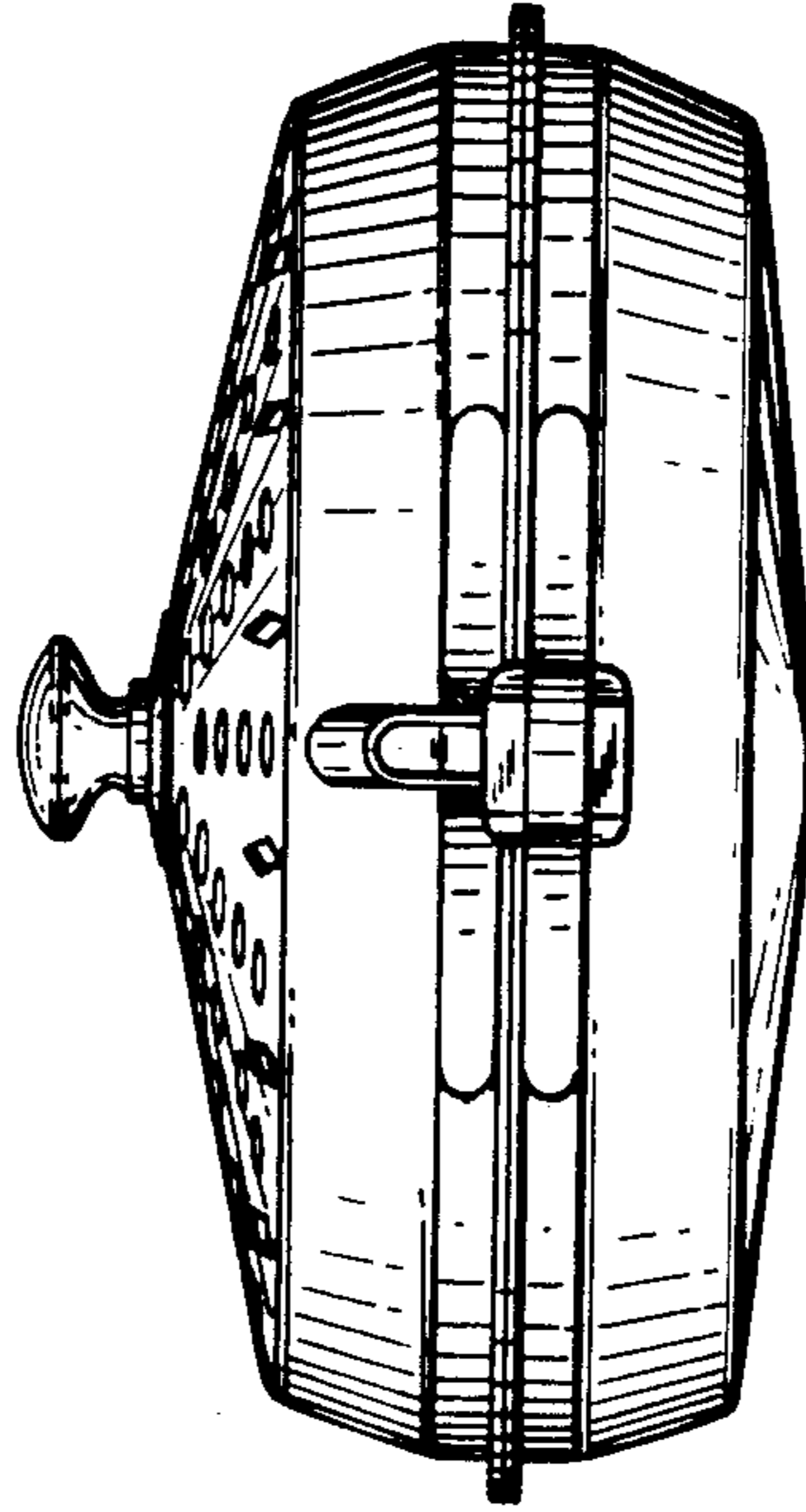


FIG. 5

