

[54] TOASTER

[75] Inventors: **Thomas E. Hanson**, Phoenixville;
Harry J. McVicker, Pottstown, both
of Pa.

[73] Assignee: **SCM Corporation**, New York, N.Y.

[**] Term: **14 Years**

[21] Appl. No.: **629,256**

[22] Filed: **Nov. 6, 1975**

[51] Int. Cl. **D7-02**

[52] U.S. Cl. **D7/93**

[58] Field of Search **D7/91, 92, 93; 99/385,**
99/389

[56] **References Cited**

U.S. PATENT DOCUMENTS

2,862,441 12/1958 Schmall D7/93 X
D. 78,717 6/1929 Schallis D7/91

D. 196,218 9/1963 Maag D7/93
D. 209,362 11/1967 Sutton et al. D7/91
D. 226,242 1/1973 Weiss D7/93

FOREIGN PATENT DOCUMENTS

2,343,455 3/1975 Germany 99/385

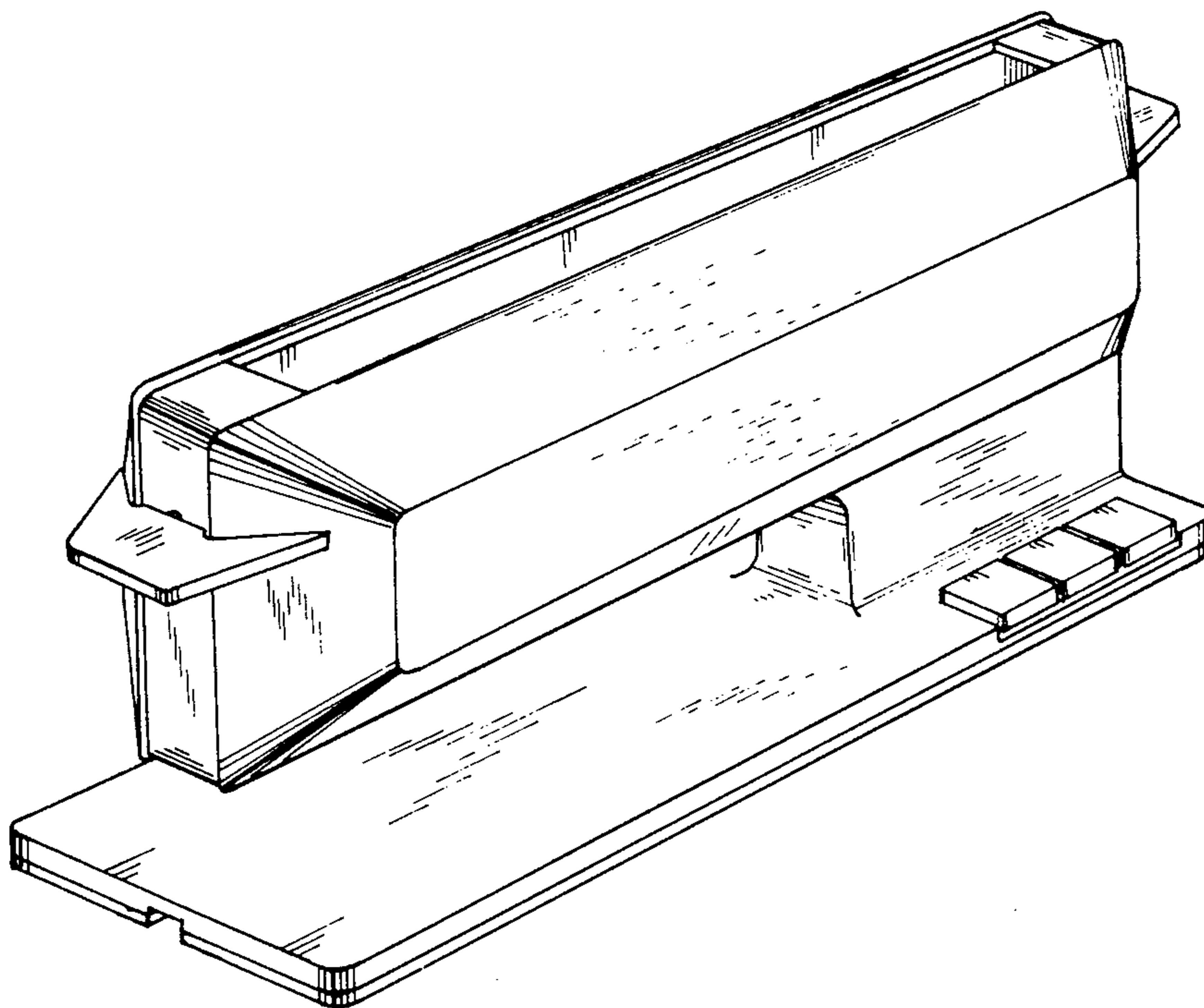
Primary Examiner—Winifred E. Herrmann
Attorney, Agent, or Firm—Milton M. Wolson

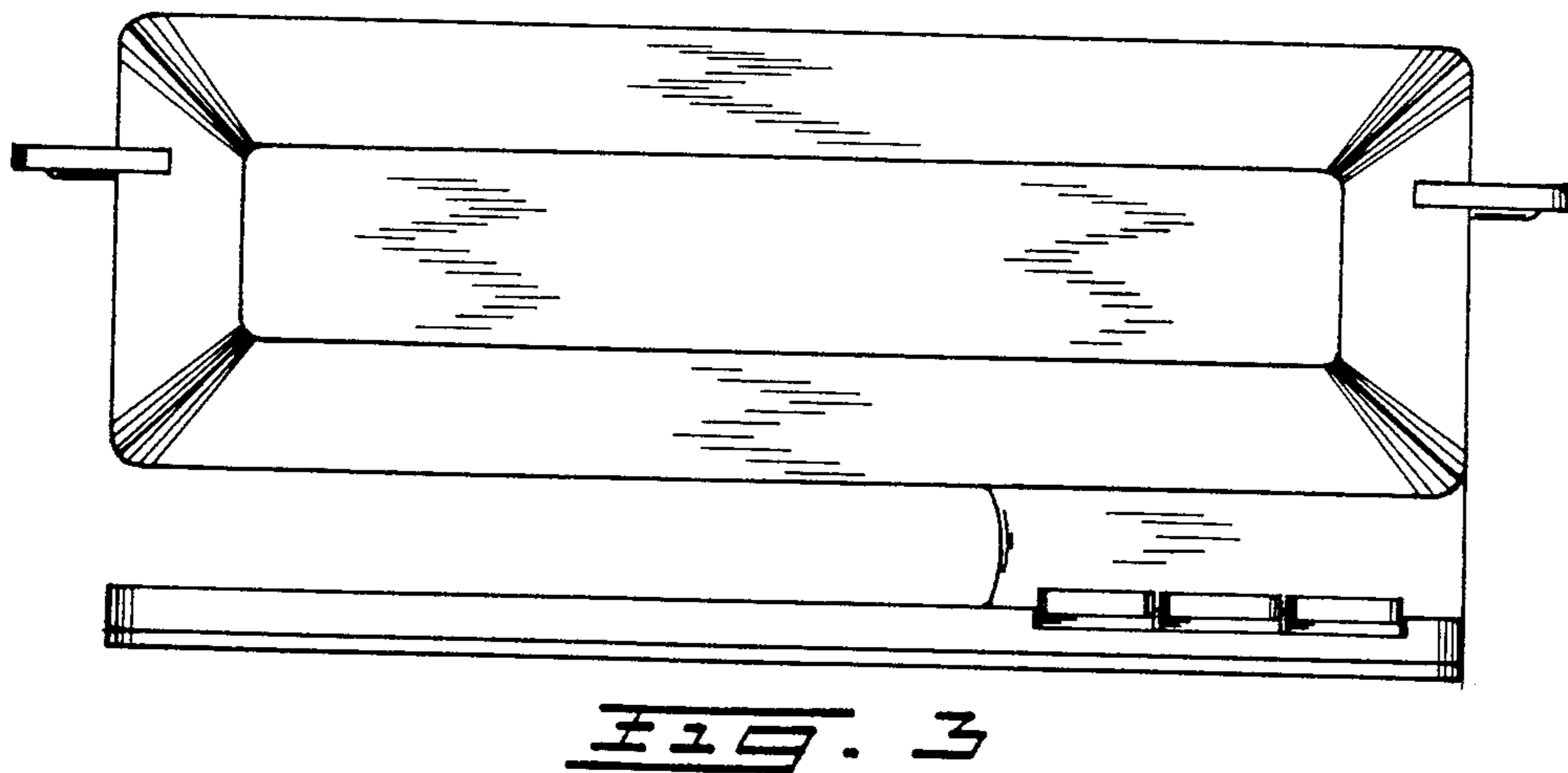
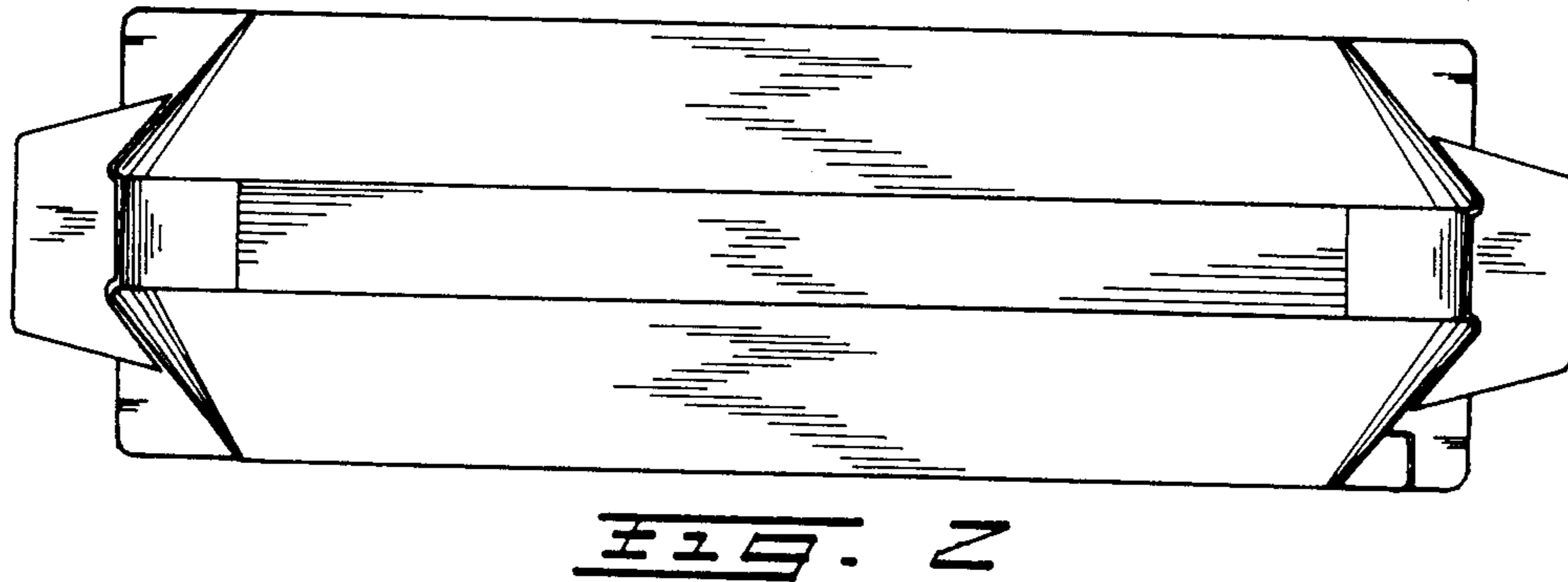
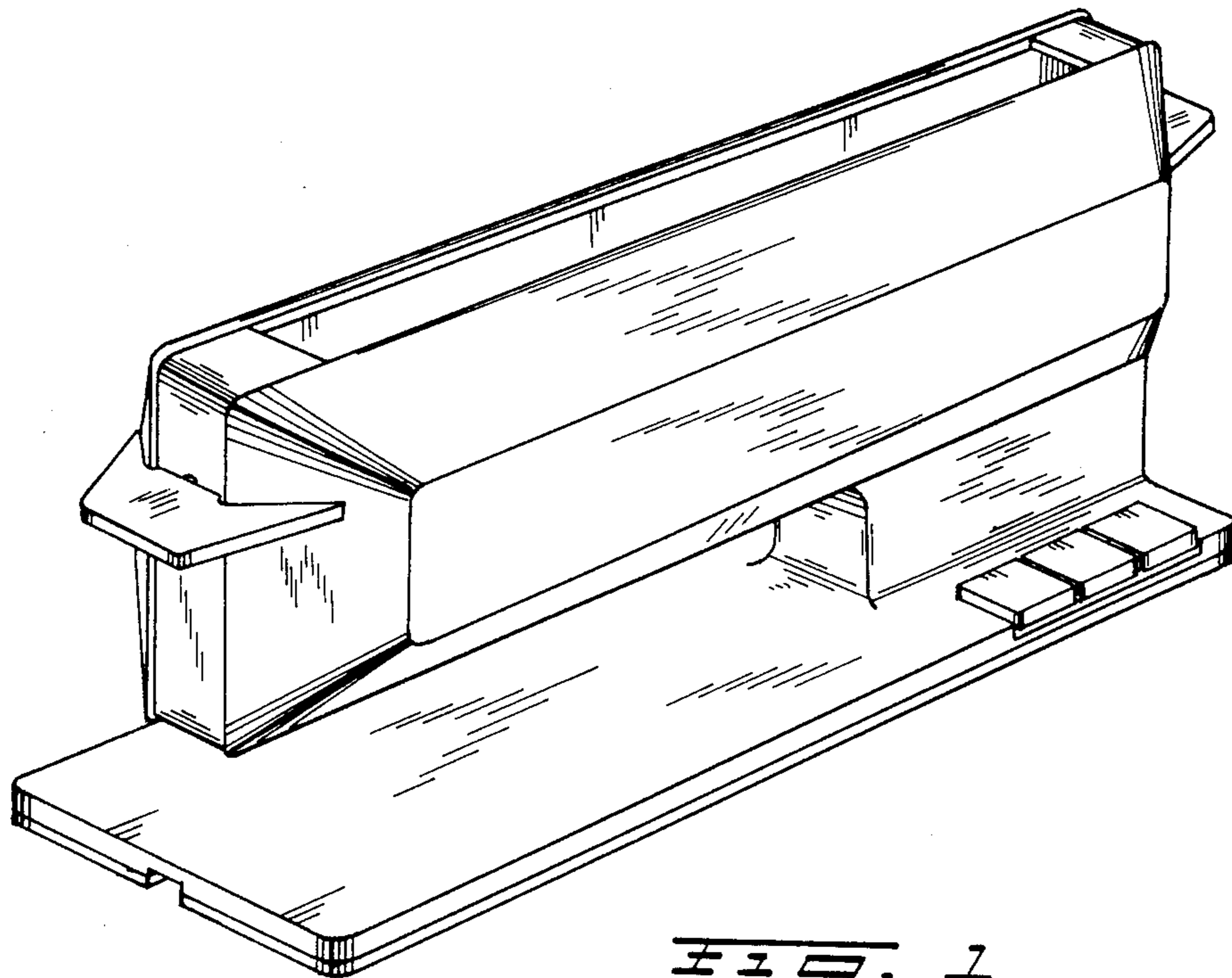
[57] **CLAIM**

The ornamental design for a toaster, as shown.

DESCRIPTION

FIG. 1 is a front perspective view of a toaster showing our new design;
FIG. 2 is a top plan view thereof;
FIG. 3 is a front elevational view thereof;
FIG. 4 is a rear elevational view thereof;
FIG. 5 is right side elevational view thereof;
FIG. 6 is a left side elevational view thereof; and
FIG. 7 is a bottom plan view thereof.





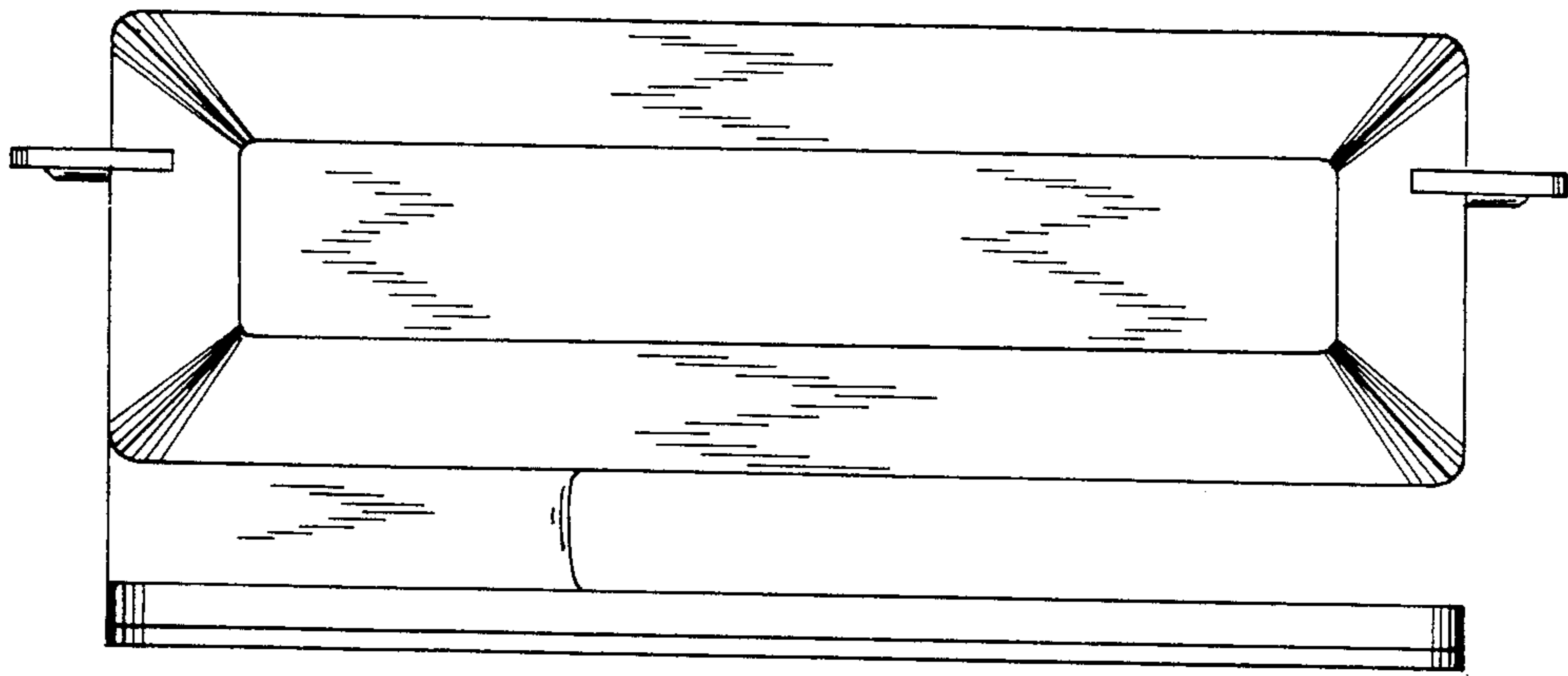


FIG. 4

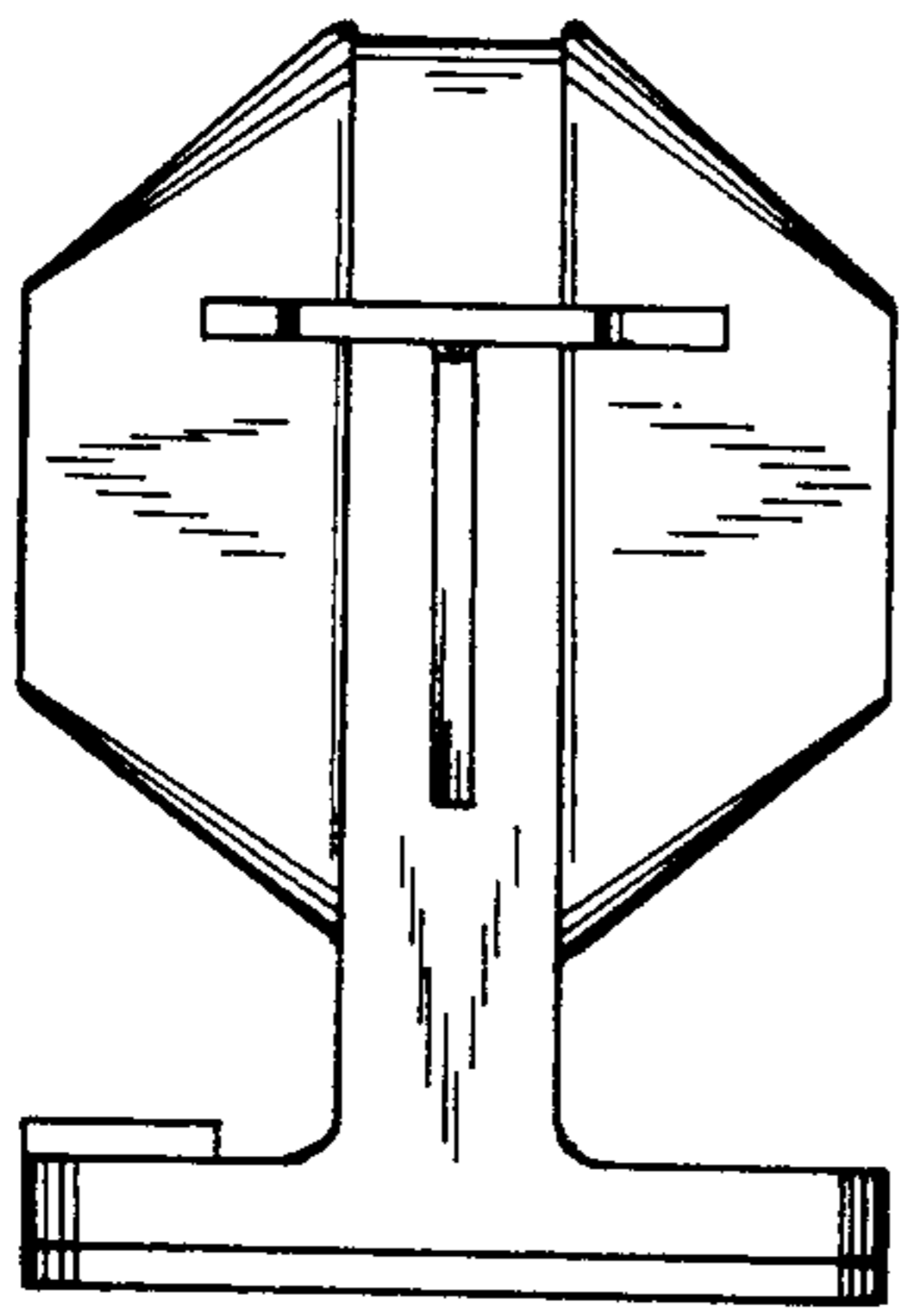


FIG. 5

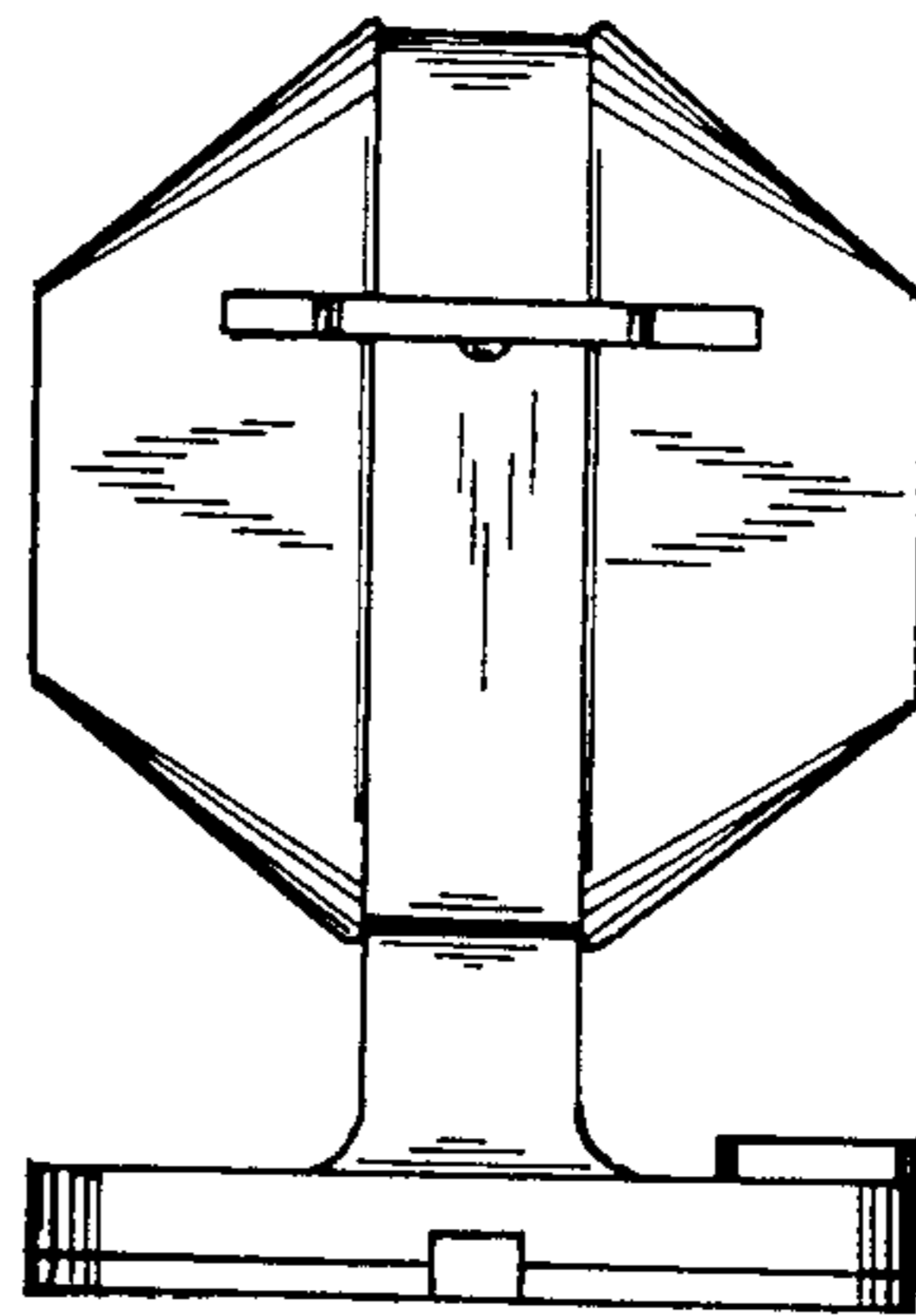


FIG. 6

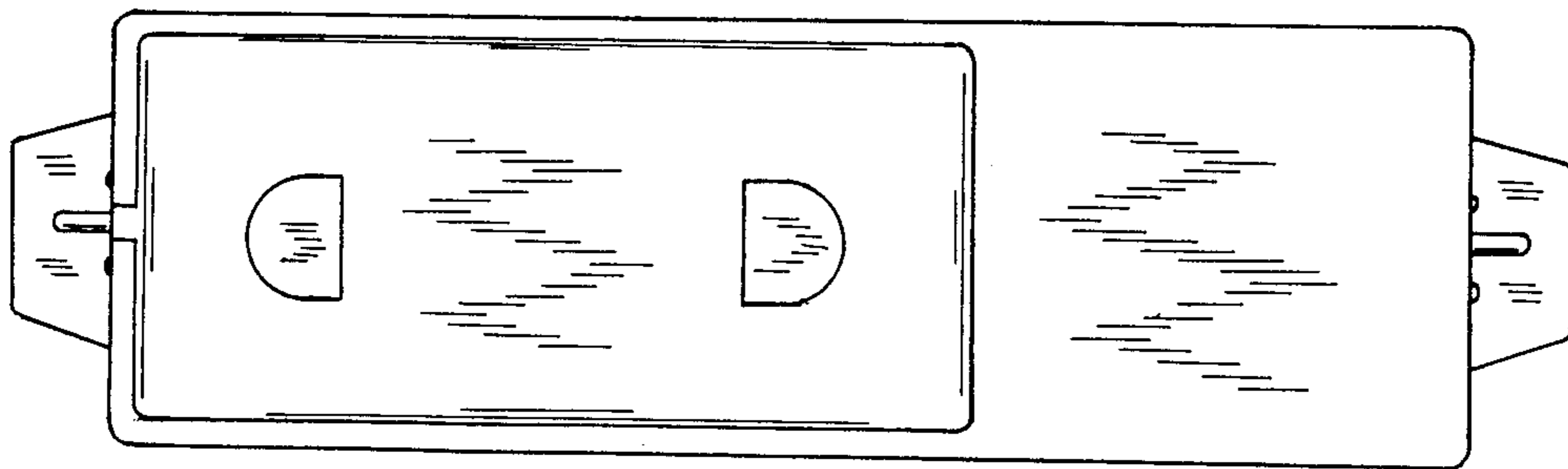


FIG. 7