

[54] COMBINED HEAD AND BACKREST SUPPORT

[76] Inventor: Barry M. Stein, 7742 Redlands St., No. 3032, Playa Del Rey, Calif. 90291

[\*\*] Term: 14 Years

[21] Appl. No.: 578,464

[22] Filed: May 19, 1975

[51] Int. Cl. .... D6-99

[52] U.S. Cl. .... D6/200

[58] Field of Search ..... D6/47, 37, 200, 1, 4, D6/64; D297/355, 372, 377, 454

[56] References Cited

U.S. PATENT DOCUMENTS

D. 197,769 3/1964 Malouf ..... D6/200  
D. 234,736 4/1975 Smith ..... D6/200

FOREIGN PATENT DOCUMENTS

773,150 8/1934 France ..... 297/372

OTHER PUBLICATIONS

Patio Sales, Rec'd., Oct. 11, 1960, p. 16, backrest top left.

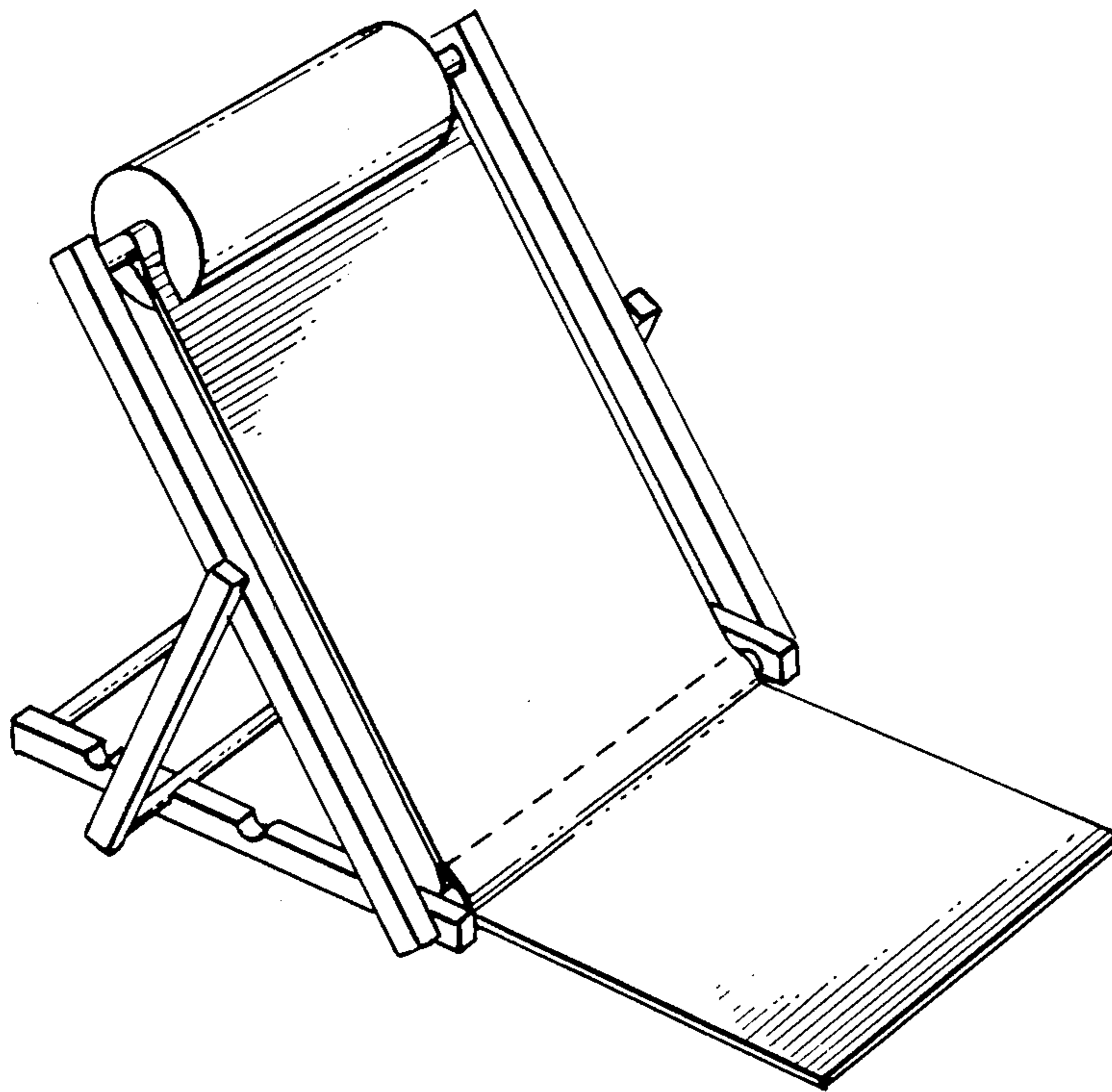
Primary Examiner—Bruce W. Dunkins  
Attorney, Agent, or Firm—Michael A. Painter

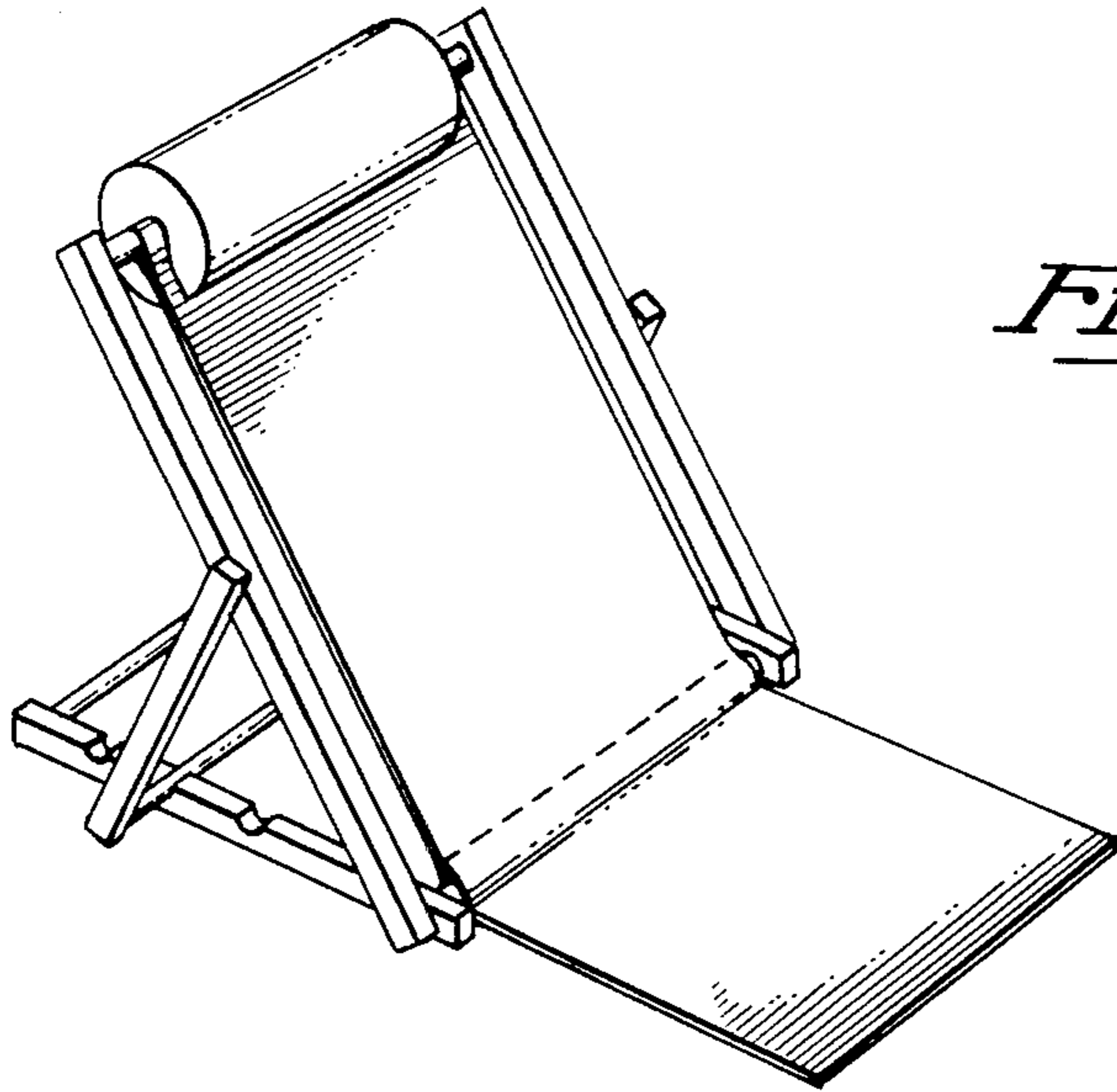
[57] CLAIM

The ornamental design for a combined head and backrest support, substantially as shown.

DESCRIPTION

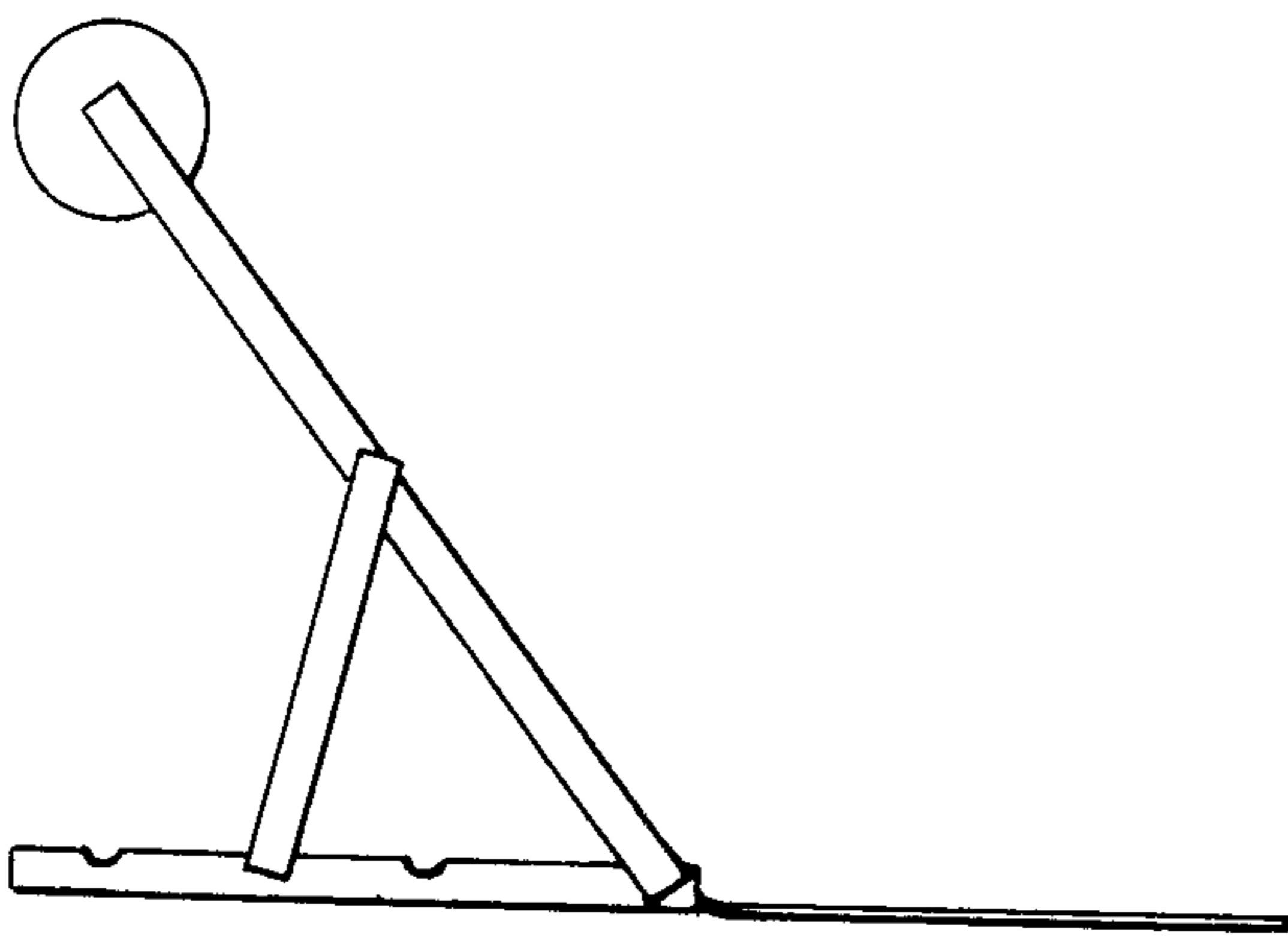
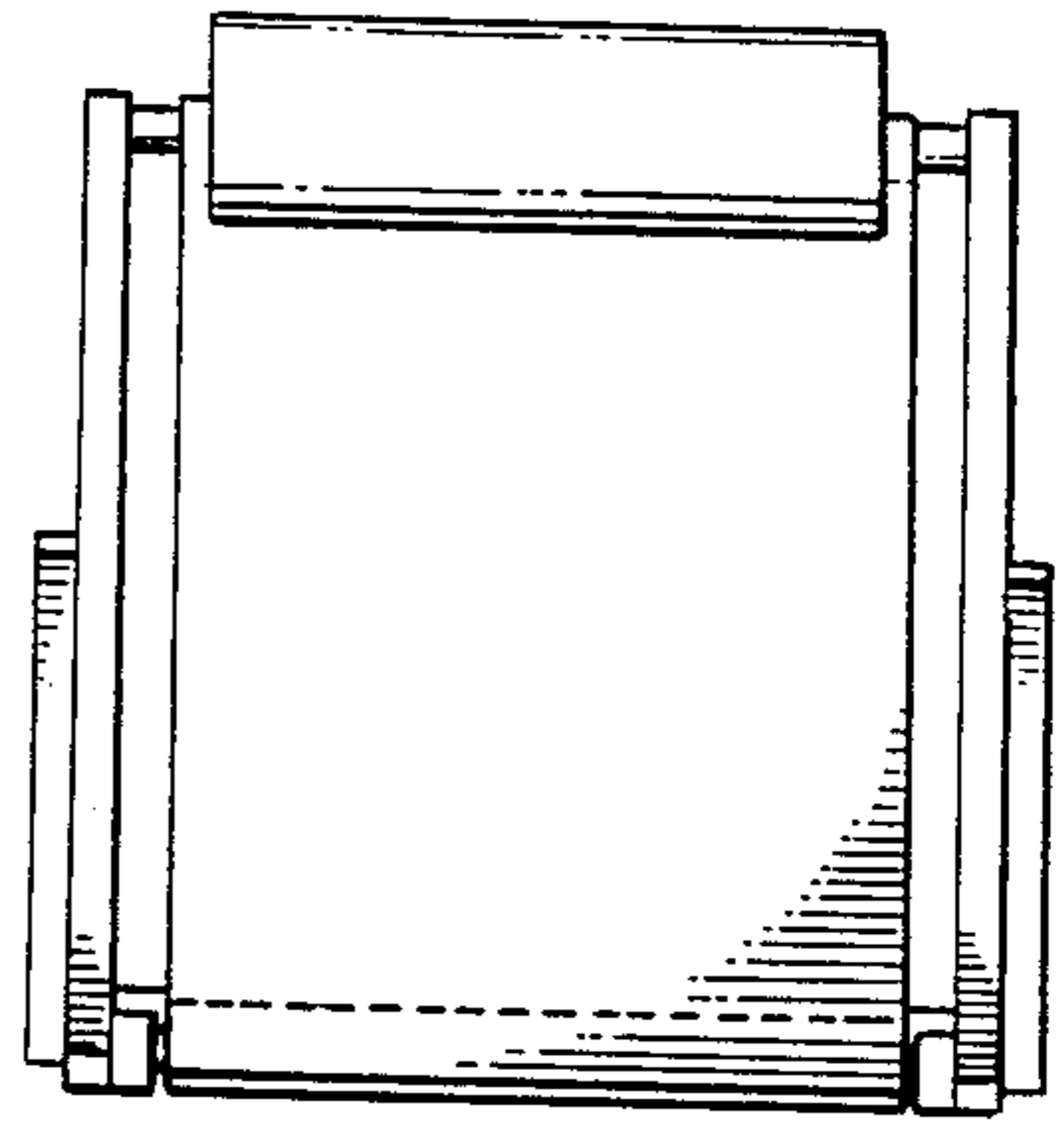
FIG. 1 is a front perspective view of a combined head and backrest support illustrating the new design; FIG. 2 is a front elevation view thereof; FIG. 3 is a side elevational view thereof; and FIG. 4 is a rear elevational view thereof.





*Fig. 1*

*Fig. 2*



*Fig. 3*

*Fig. 4*

