

[54] CALCULATOR SUPPORT STAND

[76] Inventor: Charles Wayne Sullivan, 3849
Dieckman Lane, Cincinnati, Ohio
45245

[**] Term: 14 Years

[21] Appl. No.: 589,869

[22] Filed: June 24, 1975

[51] Int. Cl. D6-99

[52] U.S. Cl. D6/85

[58] Field of Search D6/85, 184, 158;
D9/185; D19/91; 248/166, 371, 165, 372, 378

[56] References Cited

U.S. PATENT DOCUMENTS

3,814,293	6/1974	Daves	D6/85
D. 206,688	1/1967	Balint	D9/185
D. 238,916	2/1976	Cummins	D6/85

Primary Examiner—Bruce W. Dunkins
Attorney, Agent, or Firm—J. Warren Kinney, Jr.

[57] CLAIM

The ornamental design for a calculator support stand, as shown and described.

DESCRIPTION

FIG. 1 is a front, top perspective view of the right side of a calculator support stand, showing my design.

FIG. 2 is a top elevational view thereof.

FIG. 3 is an elevational view of the right side thereof.

FIG. 4 is a side elevational view of the left side thereof.

FIG. 5 is a front elevational view thereof.

FIG. 6 is a rear elevational view thereof.

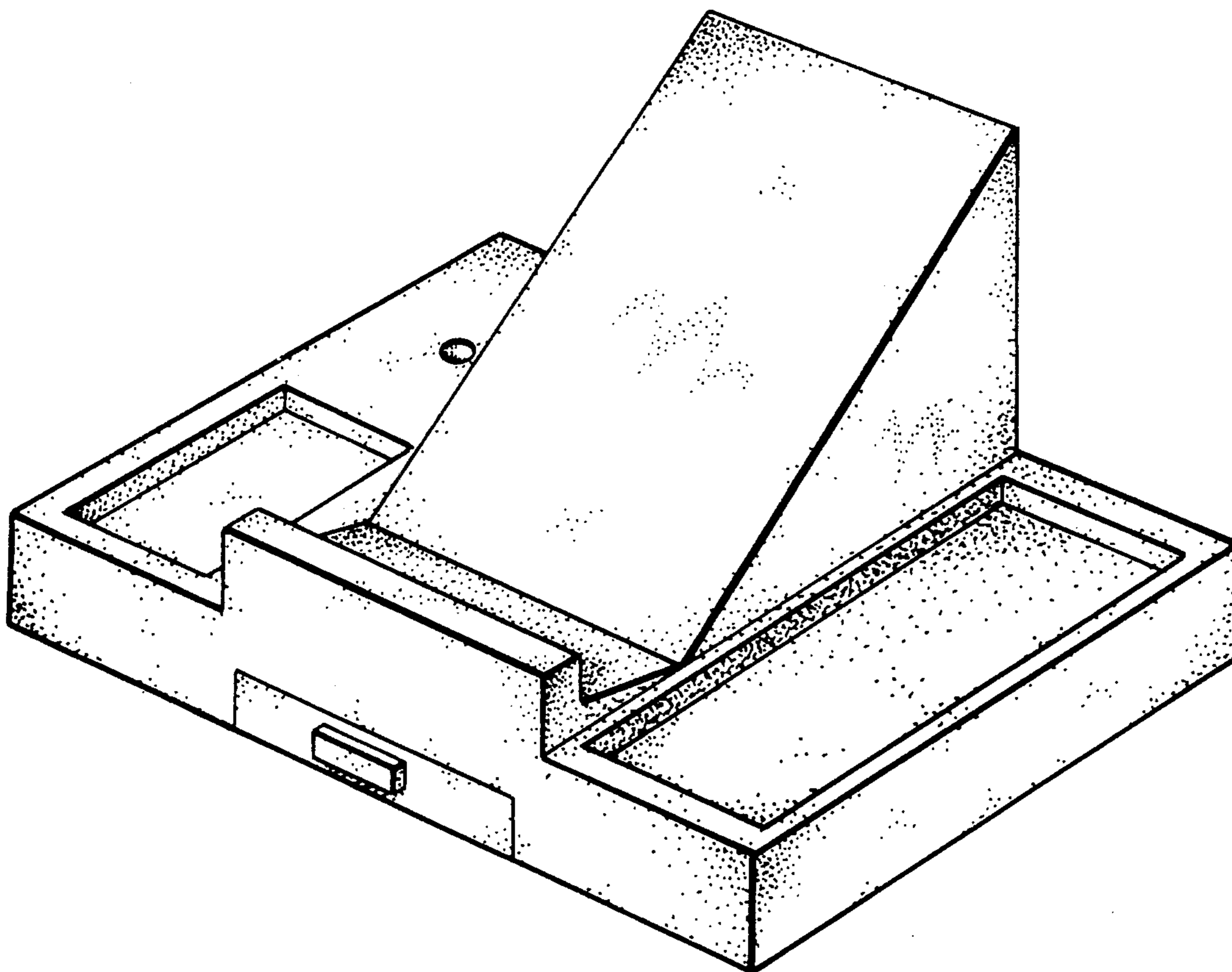


FIG-1

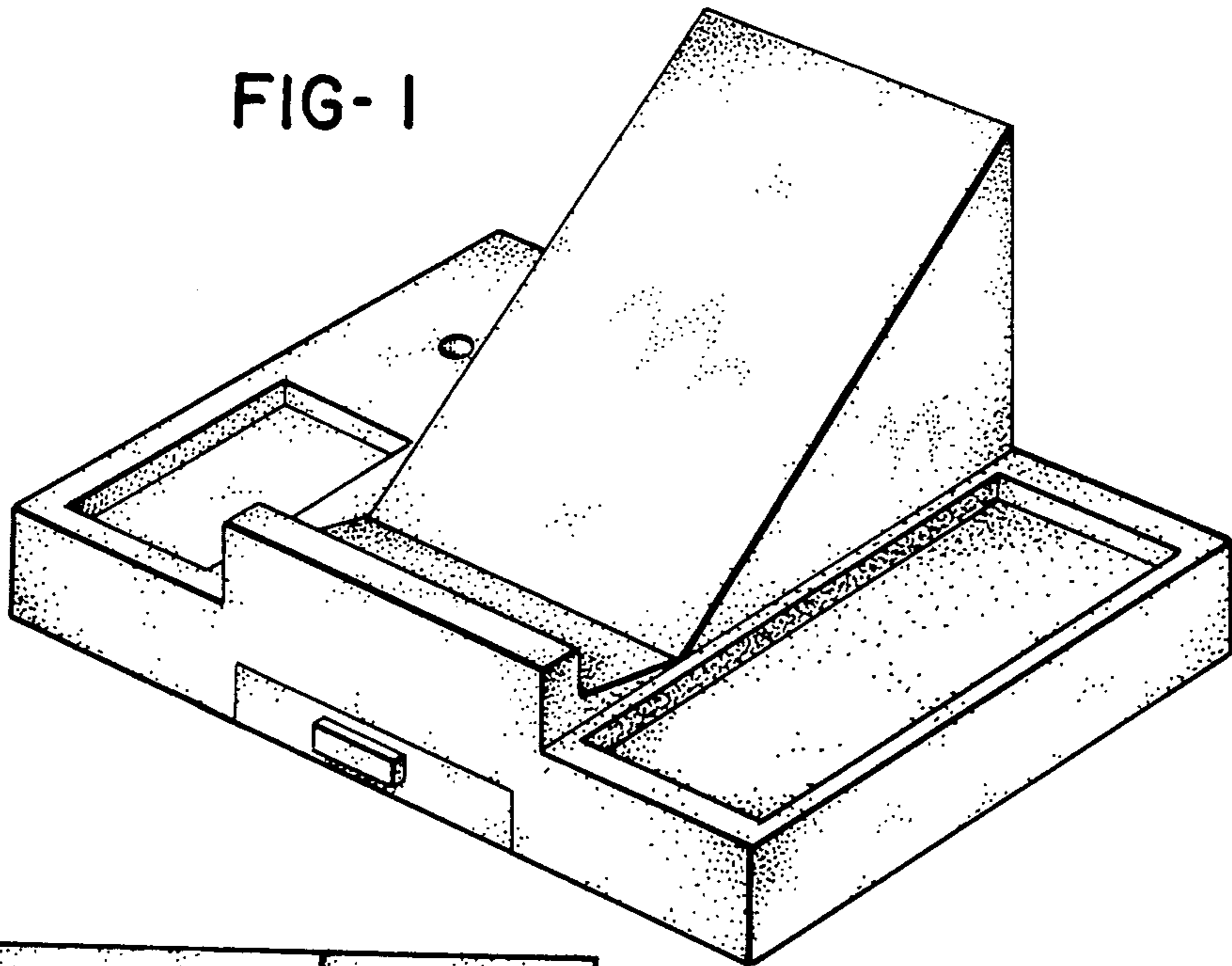


FIG-2

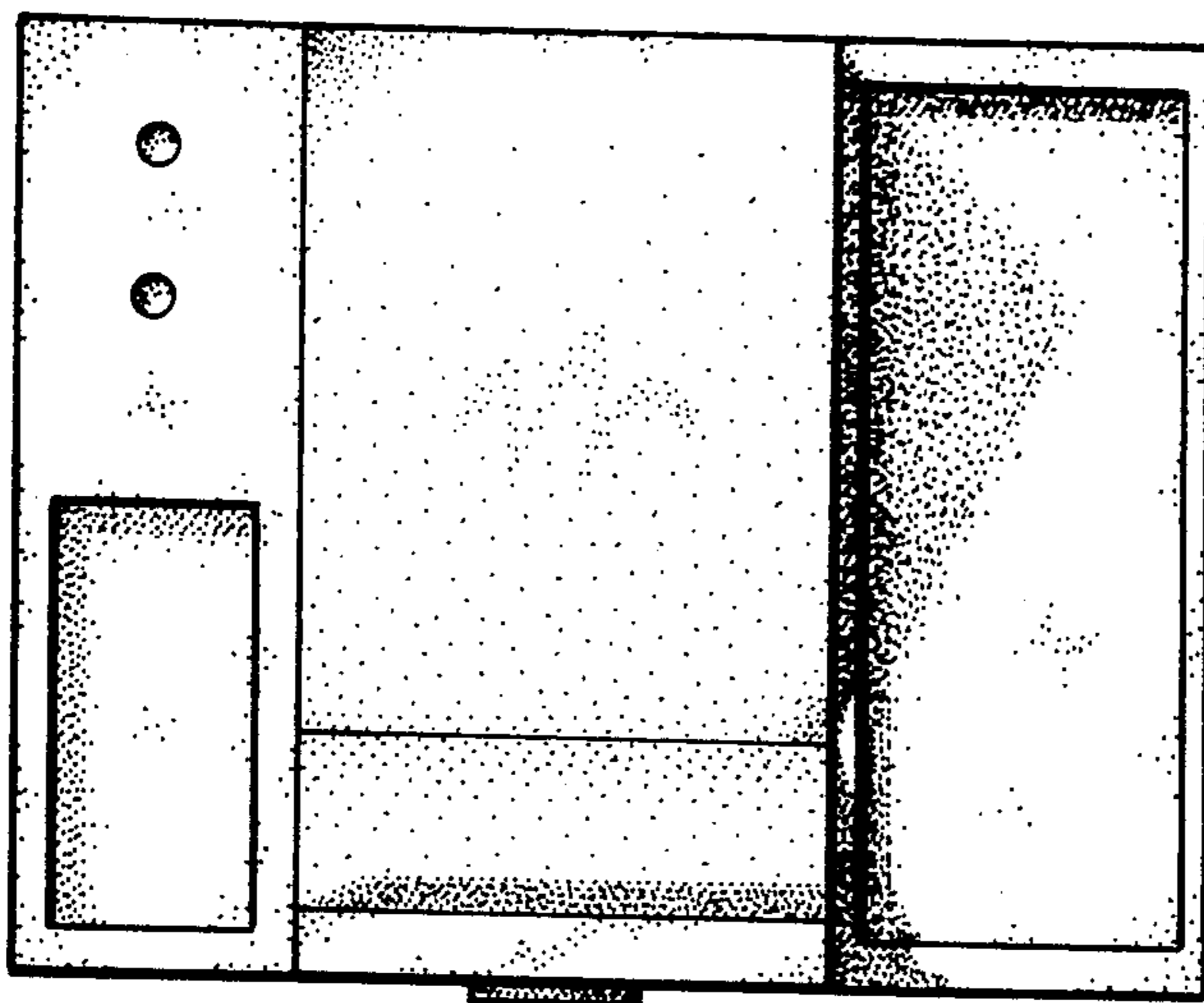


FIG-3

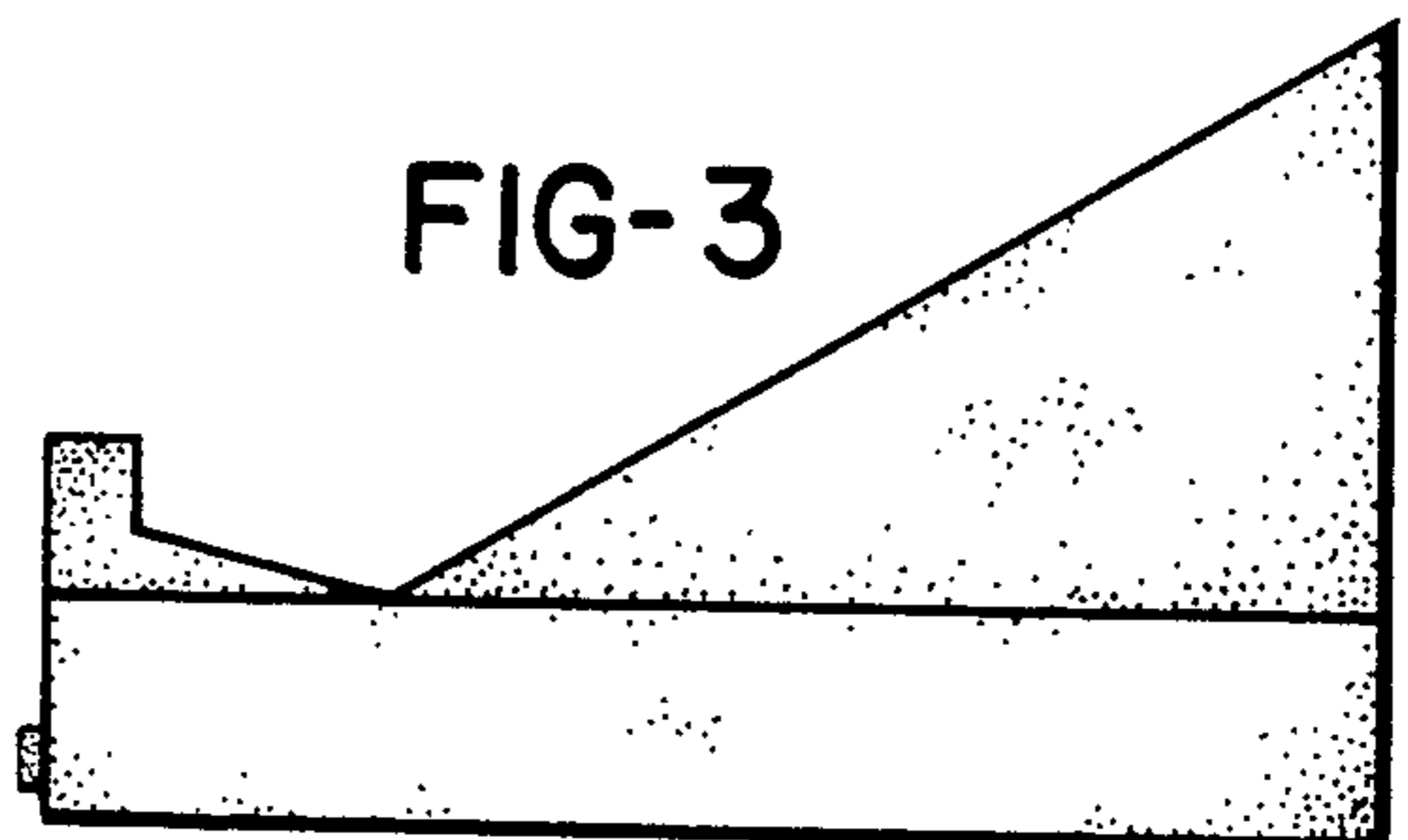


FIG-4

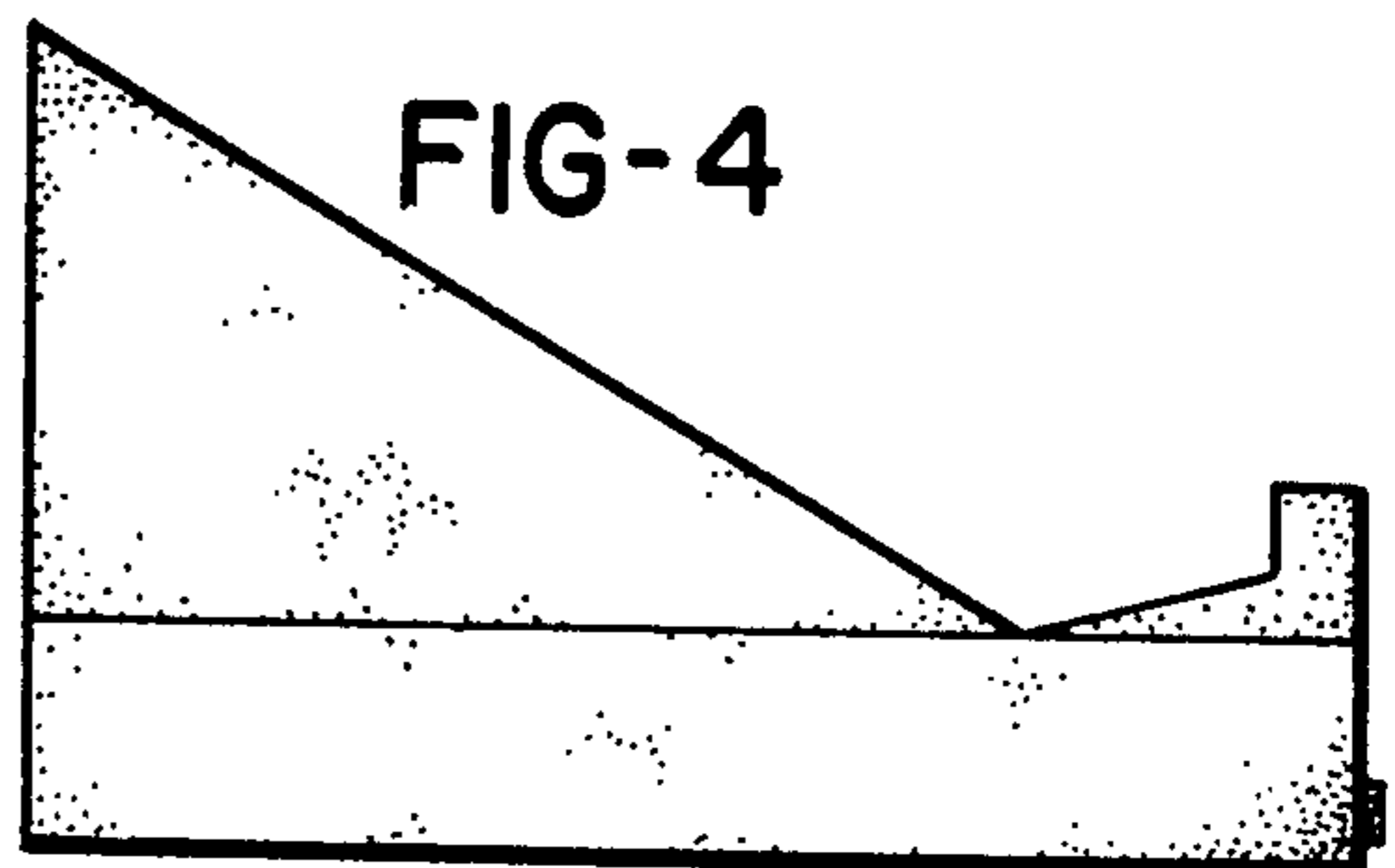


FIG-5

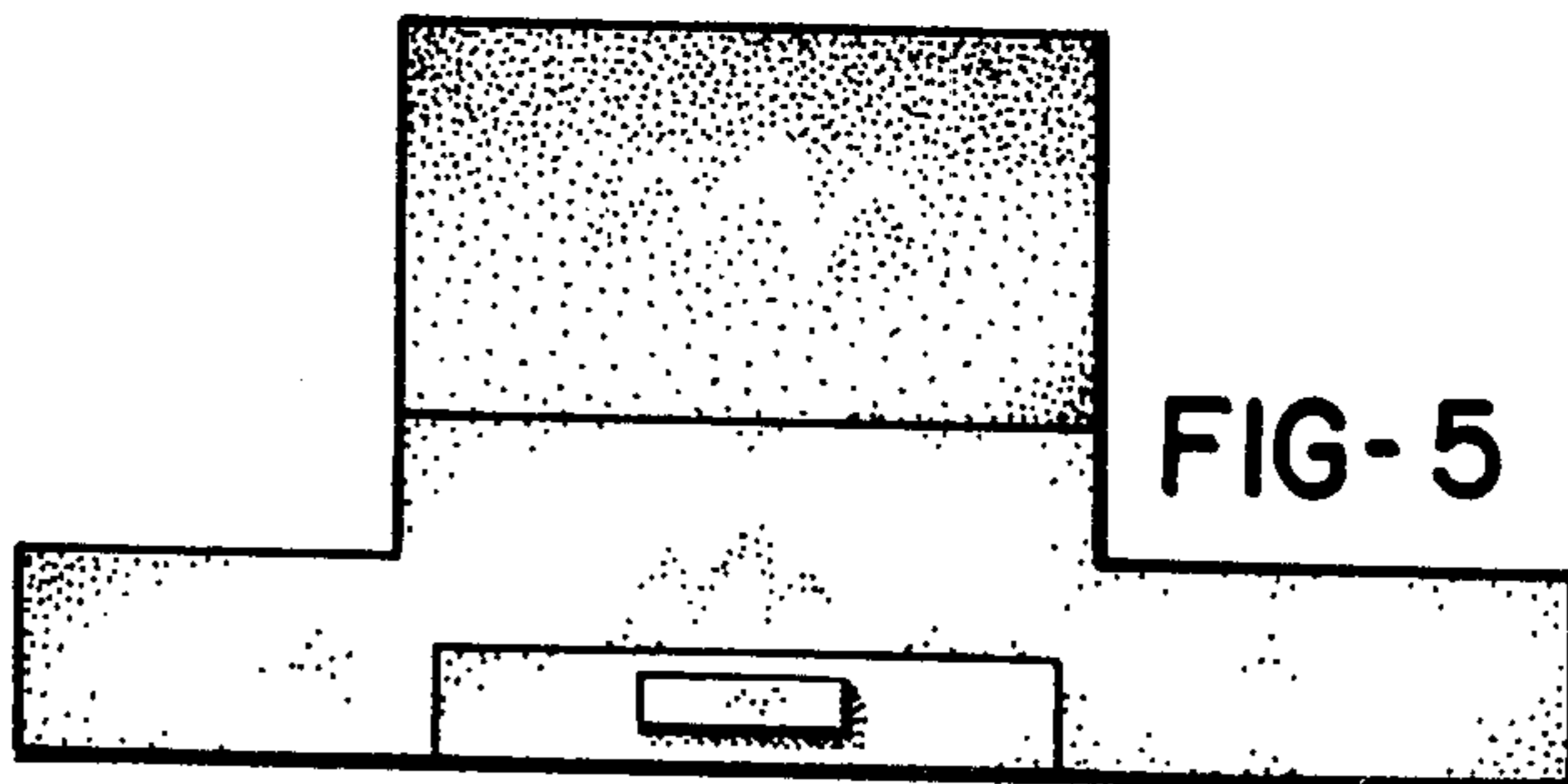


FIG-6

