

[54] SEAT

[75] Inventor: Jules M. Heumann, South San Francisco, Calif.

[73] Assignee: Metropolitan Furniture Manufacturing Company, South San Francisco, Calif.

[**] Term: 14 Years

[21] Appl. No.: 595,564

[22] Filed: July 14, 1975

[51] Int. Cl. D6-01

[52] U.S. Cl. D6/67

[58] Field of Search D6/37, 67-78, D6/61, 62, 63

[56] References Cited

U.S. PATENT DOCUMENTS

D. 234,988 4/1975 Lopez-Benitez D6/69
D. 237,331 10/1975 Vogt D6/56 X

OTHER PUBLICATIONS

Interiors, July 1973, p. 38, Sofa by Dependable.

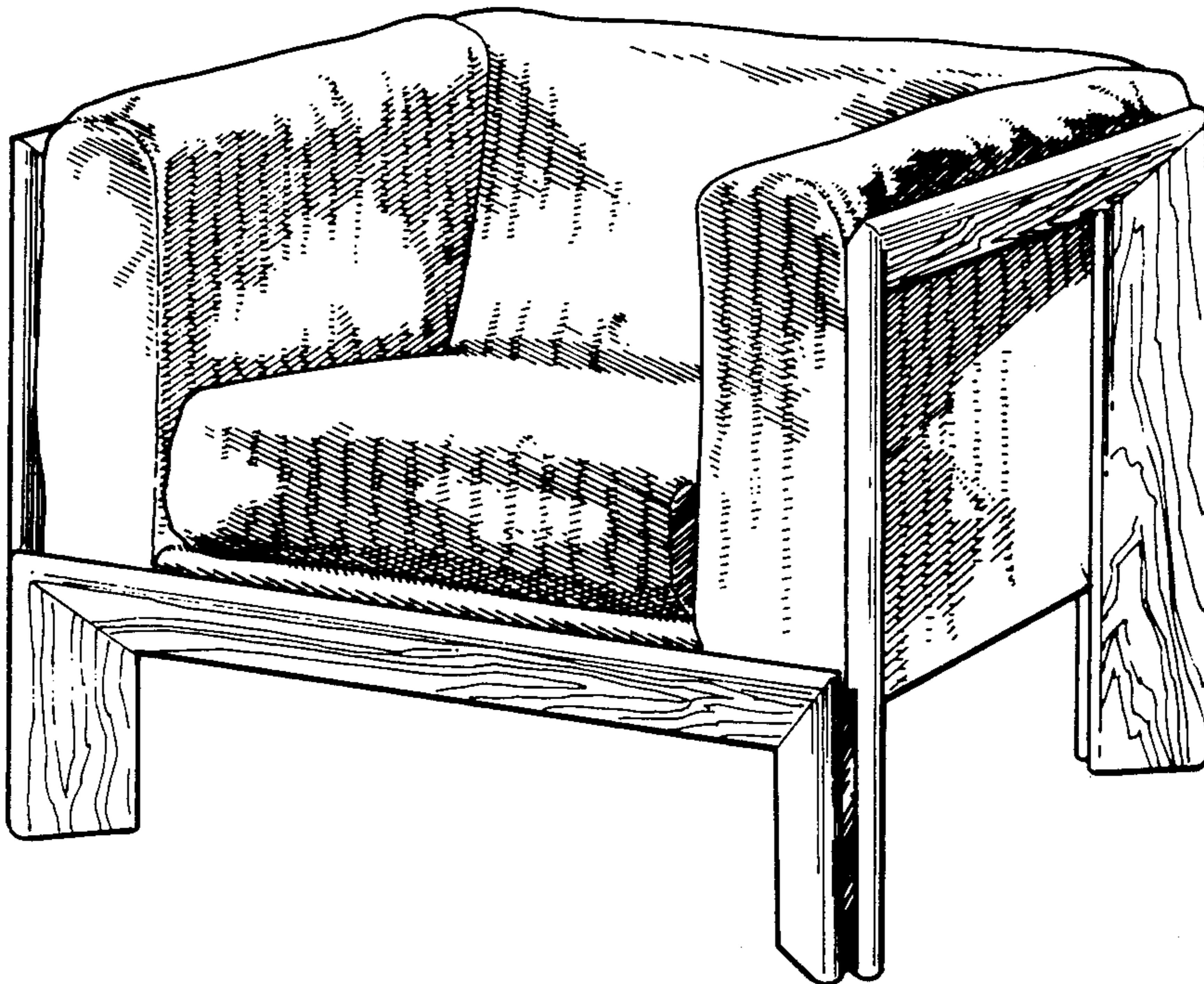
Primary Examiner—Bruce W. Dunkins
Attorney, Agent, or Firm—Paul S. Lempio

[57] CLAIM

The ornamental design for a seat, substantially as shown and described.

DESCRIPTION

FIG. 1 is a front perspective view of a seat showing my design in the form of a chair wherein the side not shown is a mirror image of the side shown;
FIG. 2 is a rear perspective view thereof;
FIG. 3 is a front perspective view of the seat of FIG. 1 but shown in the form of a sofa; and
FIG. 4 is a rear perspective view thereof.



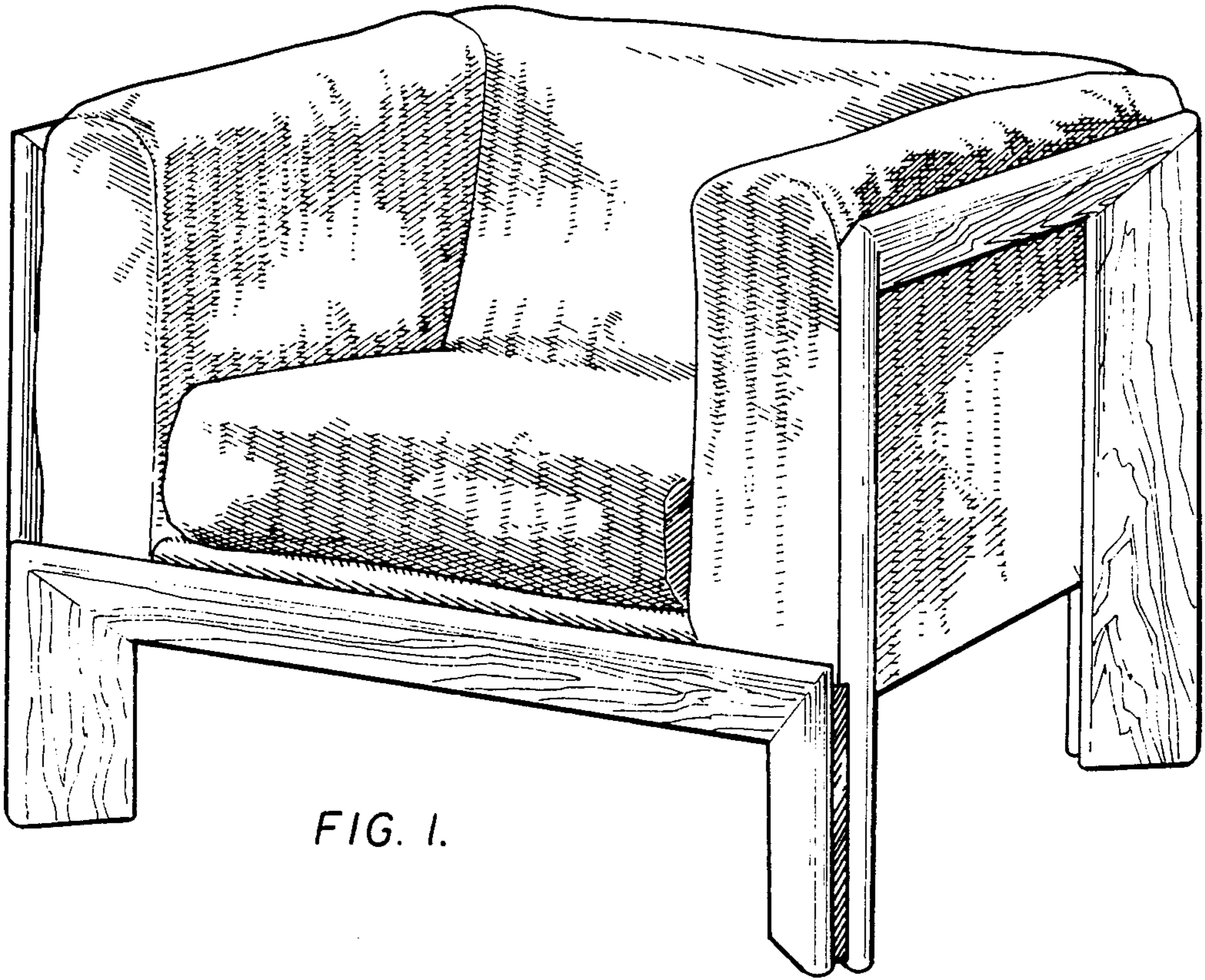


FIG. 1.

FIG. 2.

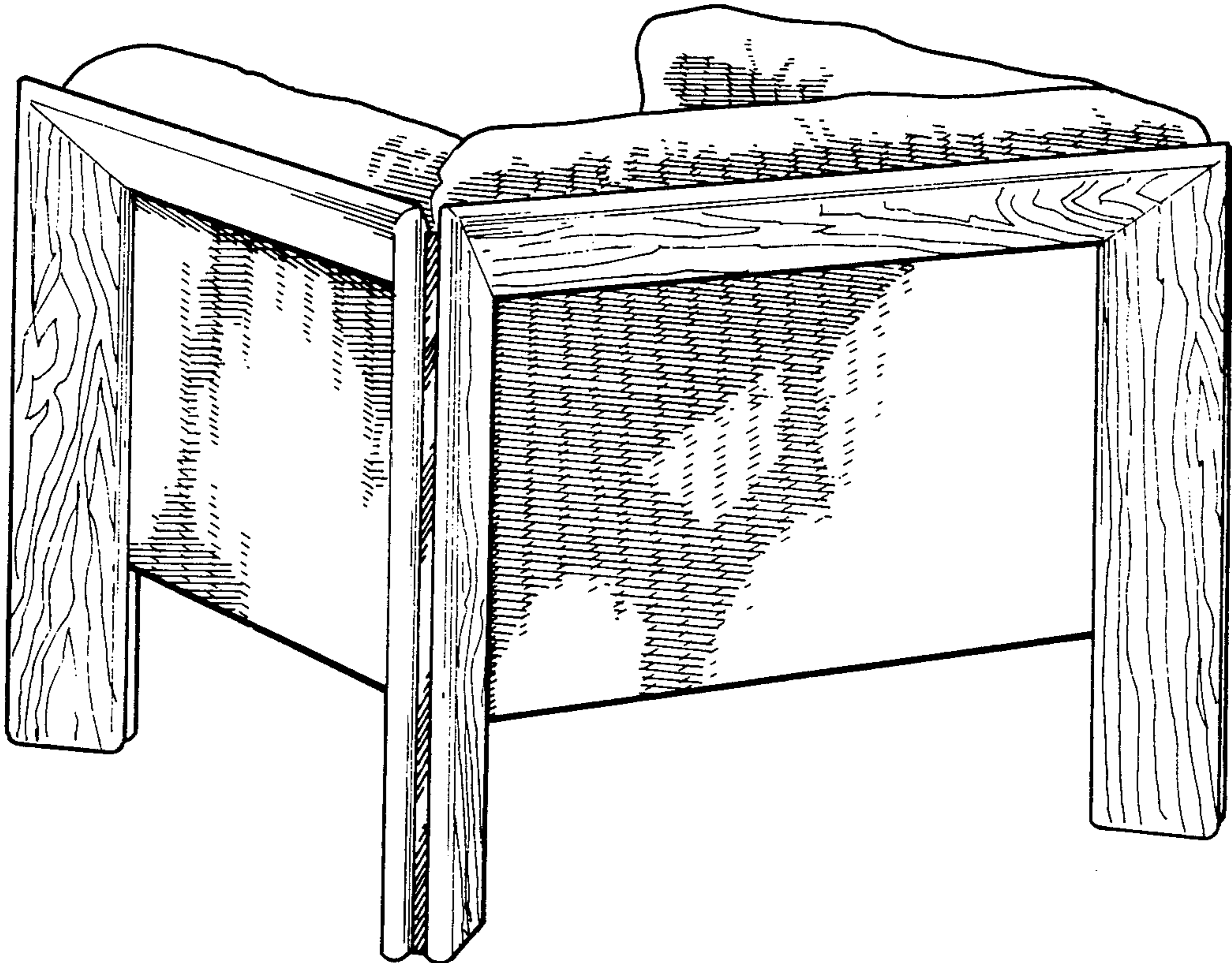


FIG. 3.

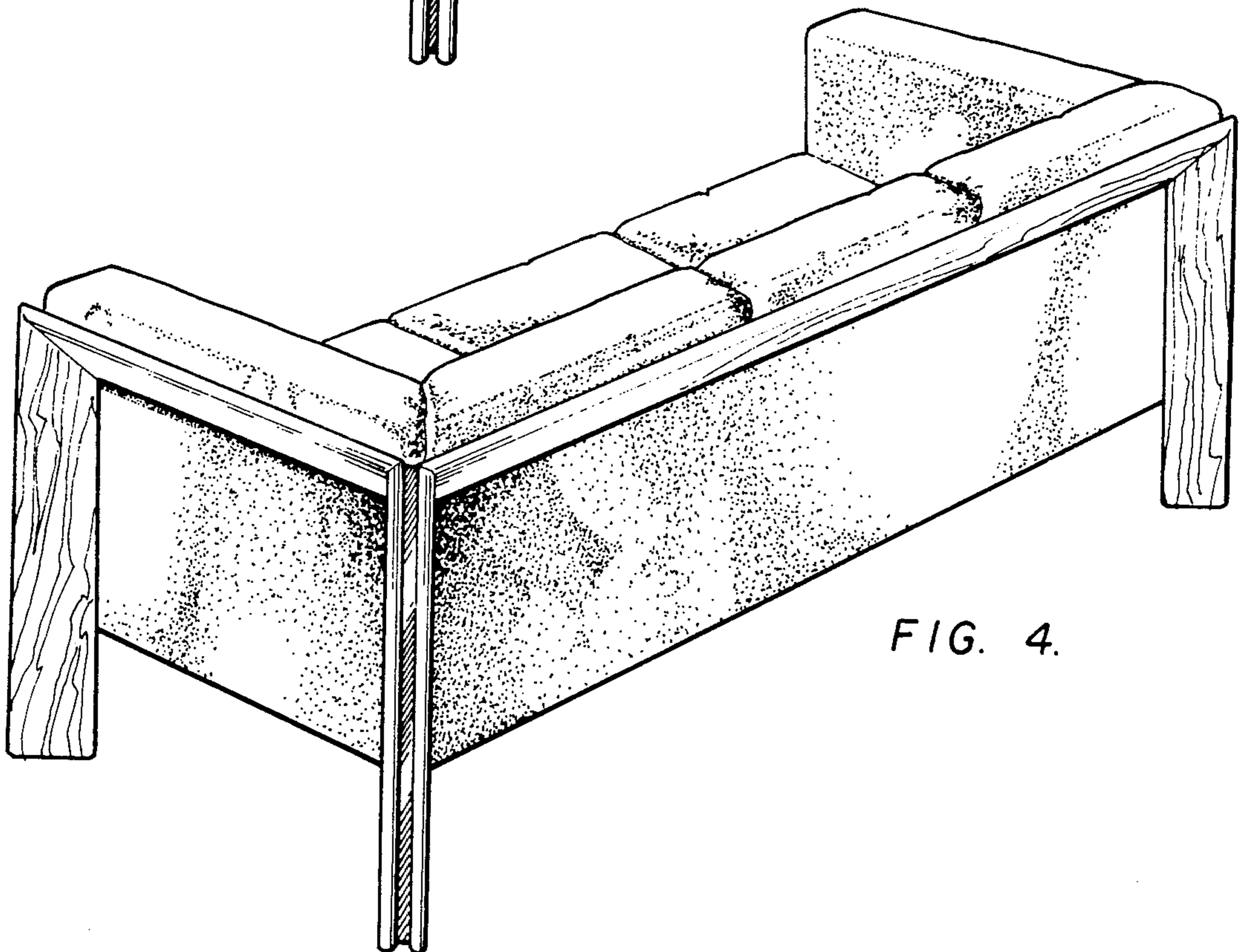
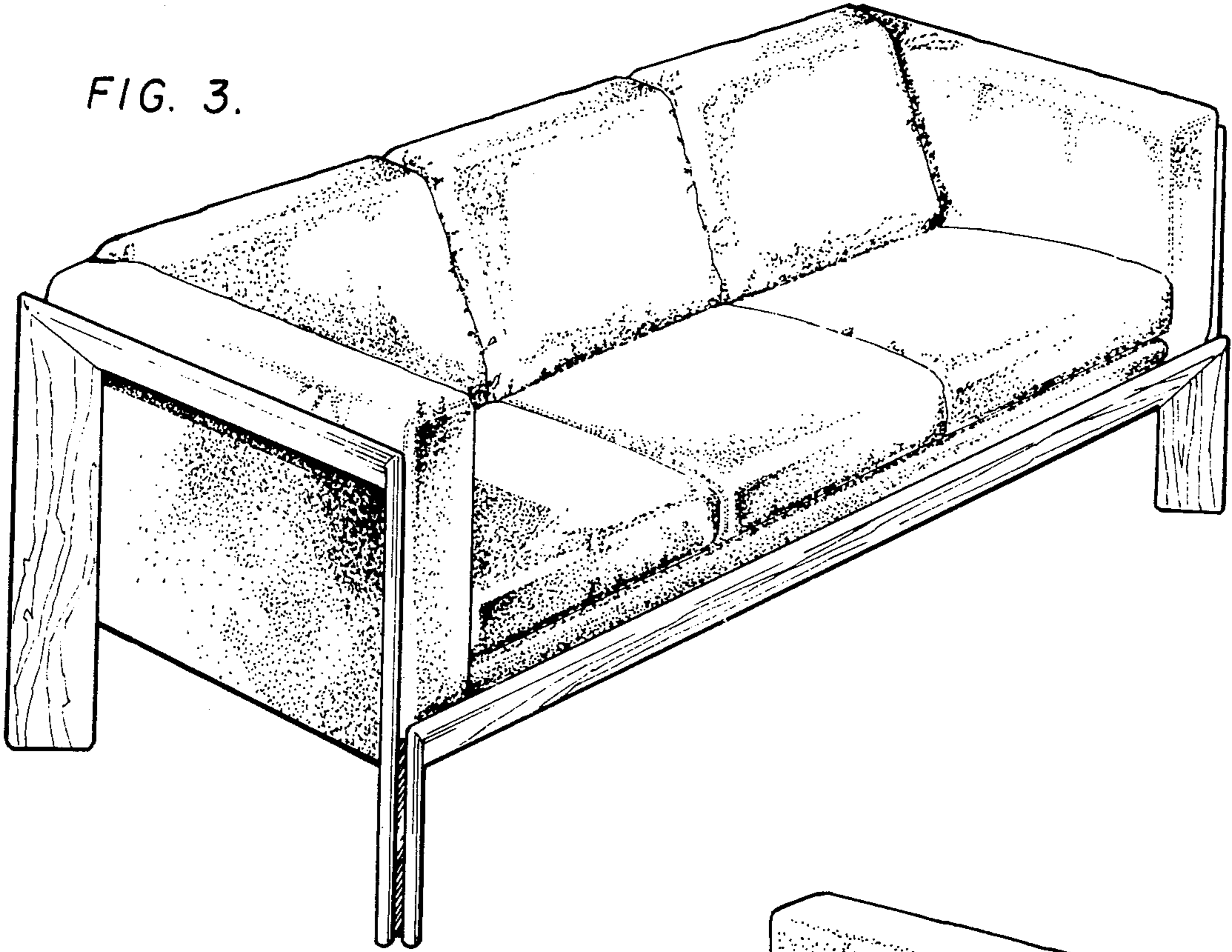


FIG. 4.