

[54] SPOOL HOLDER

[76] Inventor: Rita M. Stone, 4635 Manchester Road, Akron, Ohio 44319

[**] Term: 14 Years

[21] Appl. No.: 616,182

[22] Filed: Sept. 24, 1975

[51] Int. Cl. D6-99

[52] U.S. Cl. D3/19 D

[58] Field of Search D3/19 R, 19 A, 19 D, D3/19 B; D6/186, 85, 125, 146; D7/4; D87/1 R; 242/139

[56] References Cited

U.S. PATENT DOCUMENTS

1,037,148 8/1912 Schoppe 242/139

3,464,648 9/1969 Fuhrman D3/19 B
D. 4,276 8/1970 Gordons D3/19 D
D. 152,558 2/1949 Paolino D7/4
D. 201,119 5/1965 Marcocchio D3/19 D

Primary Examiner—Joel Stearman
Assistant Examiner—Josephine Lloyd
Attorney, Agent, or Firm—E. R. Hamilton

[57] CLAIM

The ornamental design for a spool holder, as shown.

DESCRIPTION

FIG. 1 is top plan view of a spool holder embodying my new design.

FIG. 2 is a side elevational view thereof.

FIG. 3 is a sectional view taken along line 3-3 of FIG. 1.

FIG. 4 is a bottom plan view thereof.

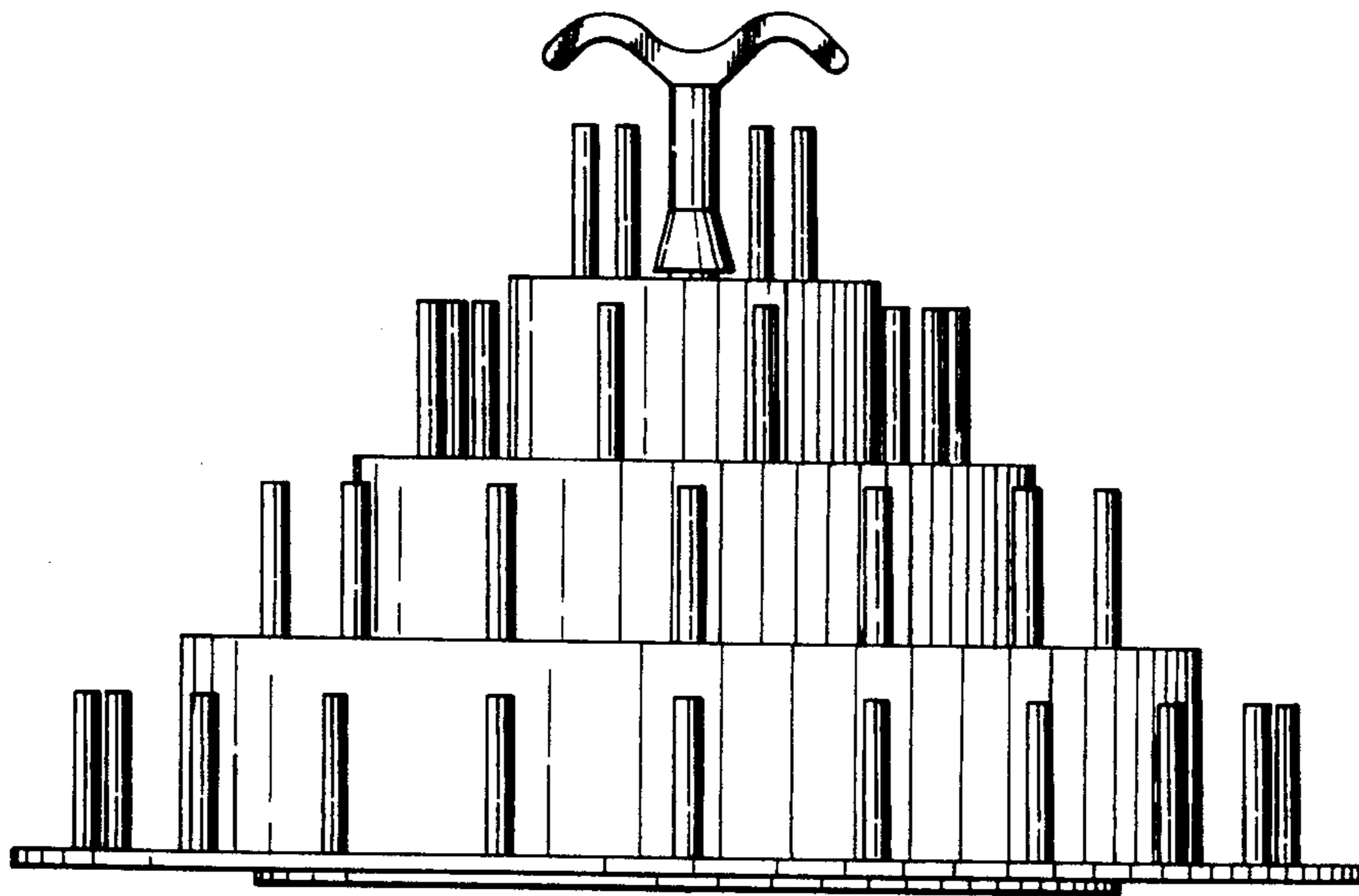


FIG. 1

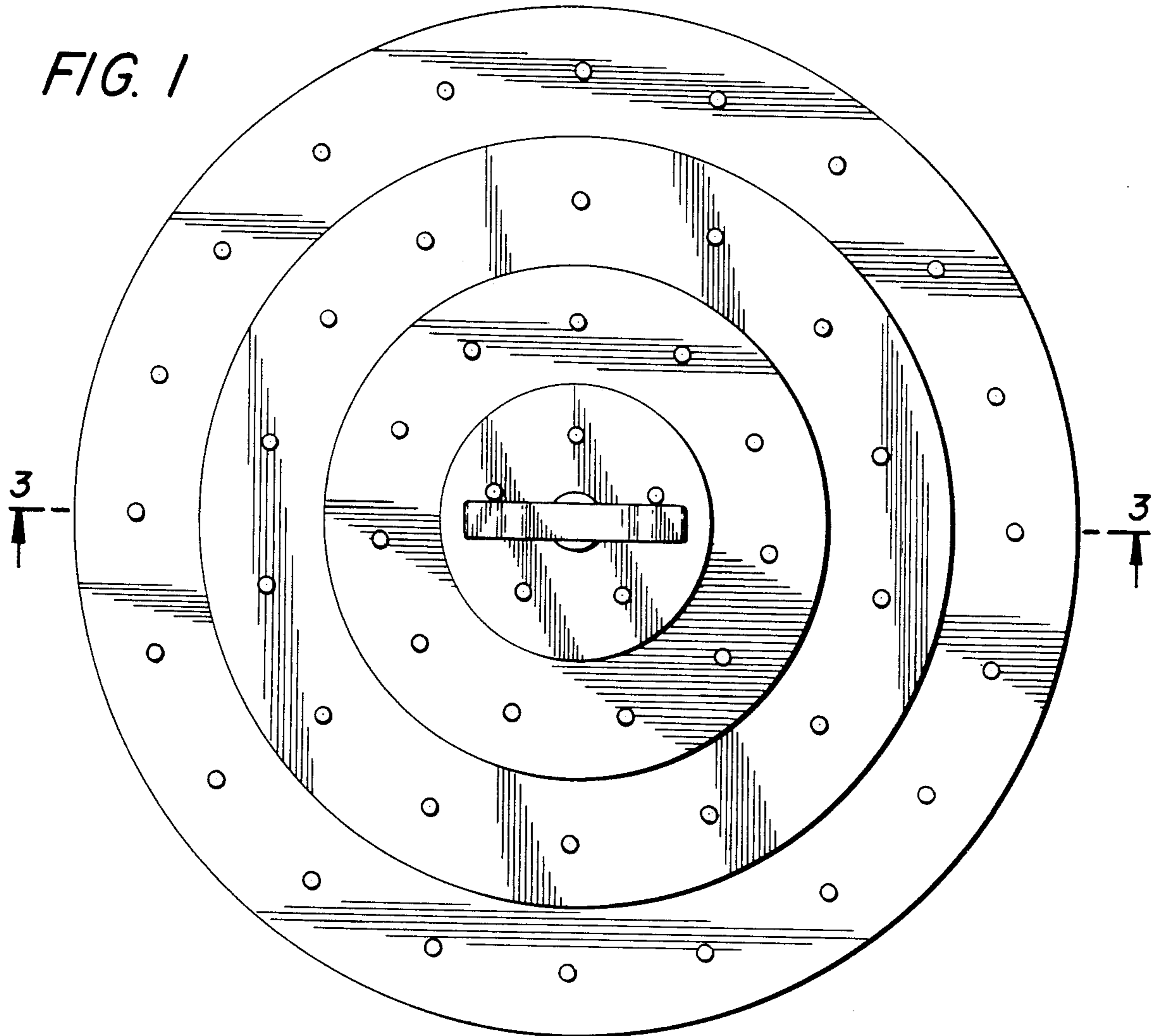


FIG. 2

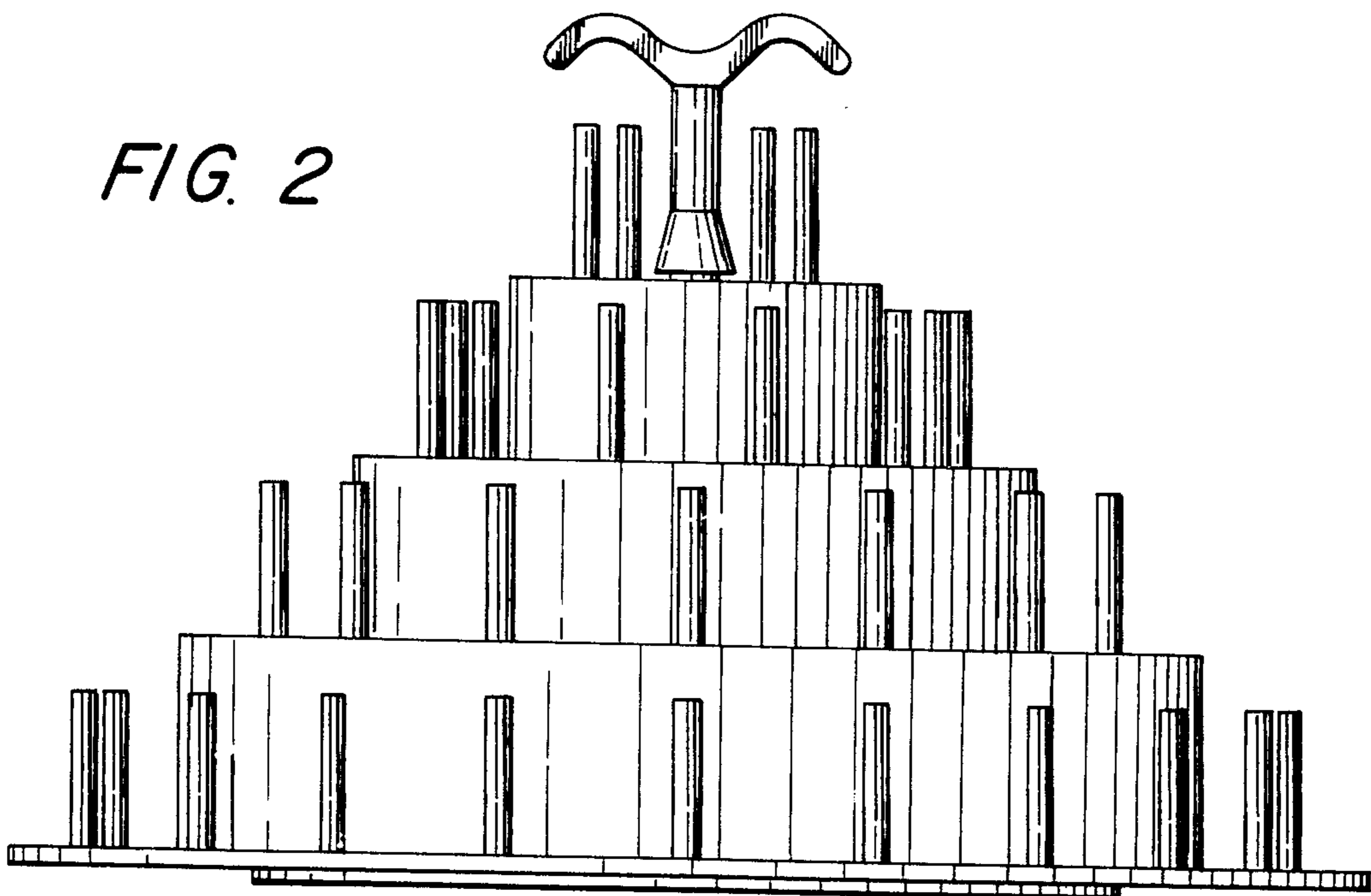


FIG. 3

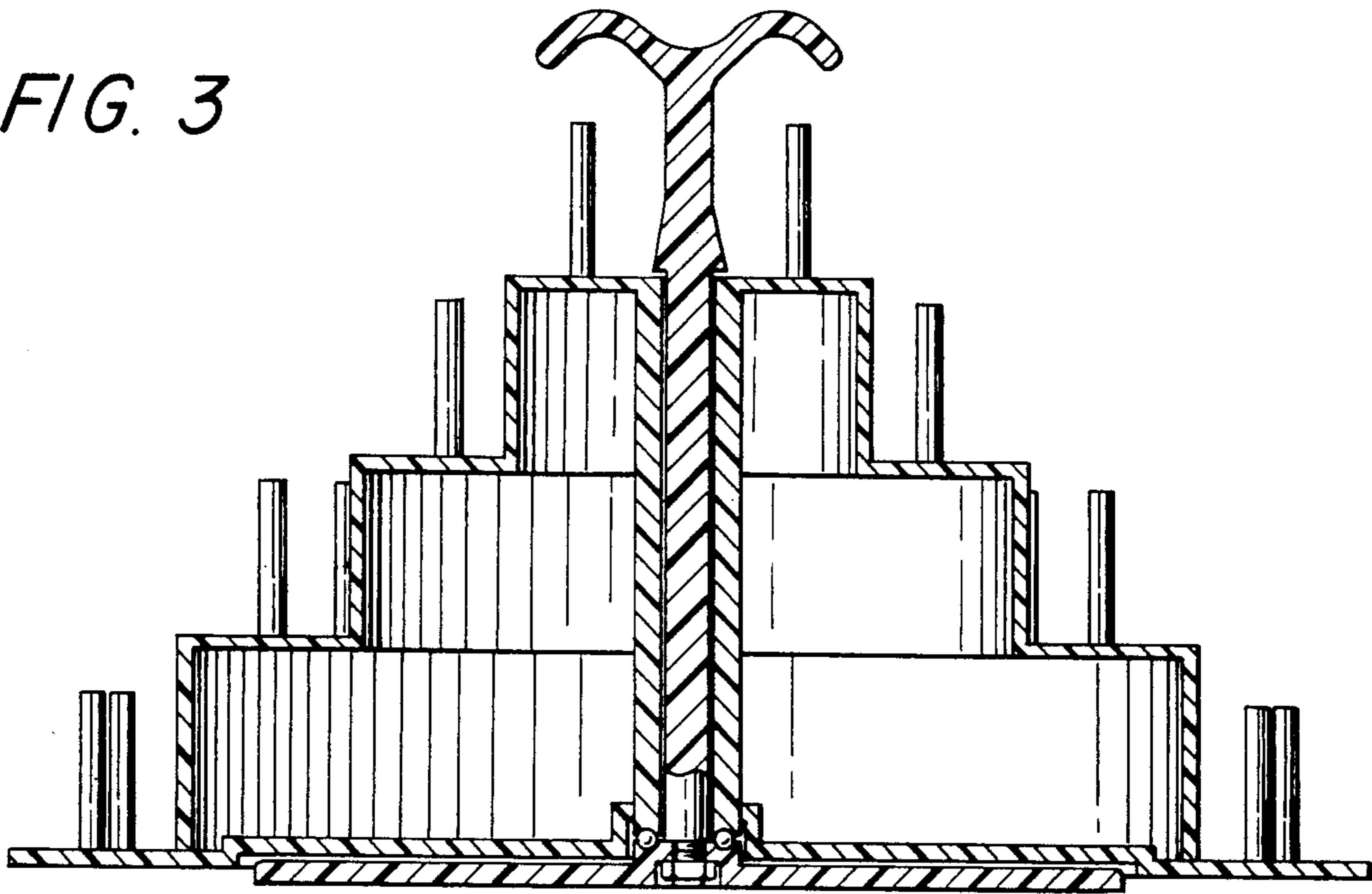


FIG. 4

