

[54] SPA HYDROTHERAPY POOL

[76] Inventor: **John W. Stangle**, 168 W. Avenida De Los Arboles, Thousand Oaks, Calif. 91360

[**] Term: **14 Years**

[21] Appl. No.: **614,258**

[22] Filed: **Sept. 17, 1975**

[51] Int. Cl. **D23—02; D24—02**

[52] U.S. Cl. **D24/38**

[58] Field of Search 4/173, 180; D83/1 C; D23/55, 56

[56]

References Cited

U.S. PATENT DOCUMENTS

3,559,634	2/1971	Lillywhite	4/173
3,736,924	6/1973	Jacuzzi et al.	4/180
D. 126,223	4/1941	Ille	D83/1 C
D. 237,709	11/1975	Jacuzzi et al.	D23/55

Primary Examiner—Bernard Ansher
Attorney, Agent, or Firm—Dennis L. Mangrum

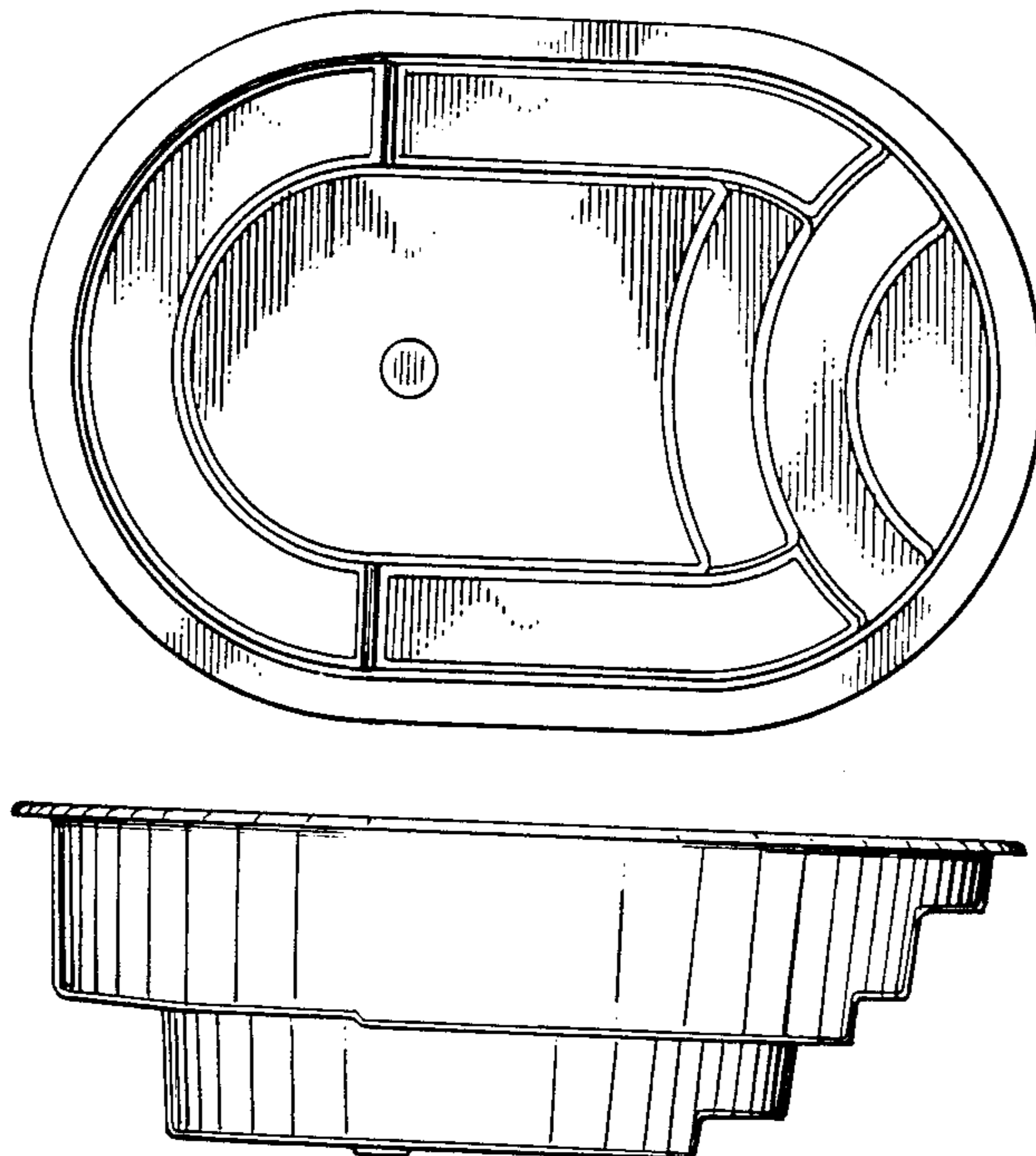
[57]

CLAIM

The ornamental design for a spa hydrotherapy pool, substantially as shown.

DESCRIPTION

FIG. 1 is a top view of the spa hydrotherapy pool illustrating the new design;
FIG. 2 is a side elevation view thereof;
FIG. 3 is an end elevation view thereof;
FIG. 4 is an end elevation view thereof;
FIG. 5 is a bottom view thereof.



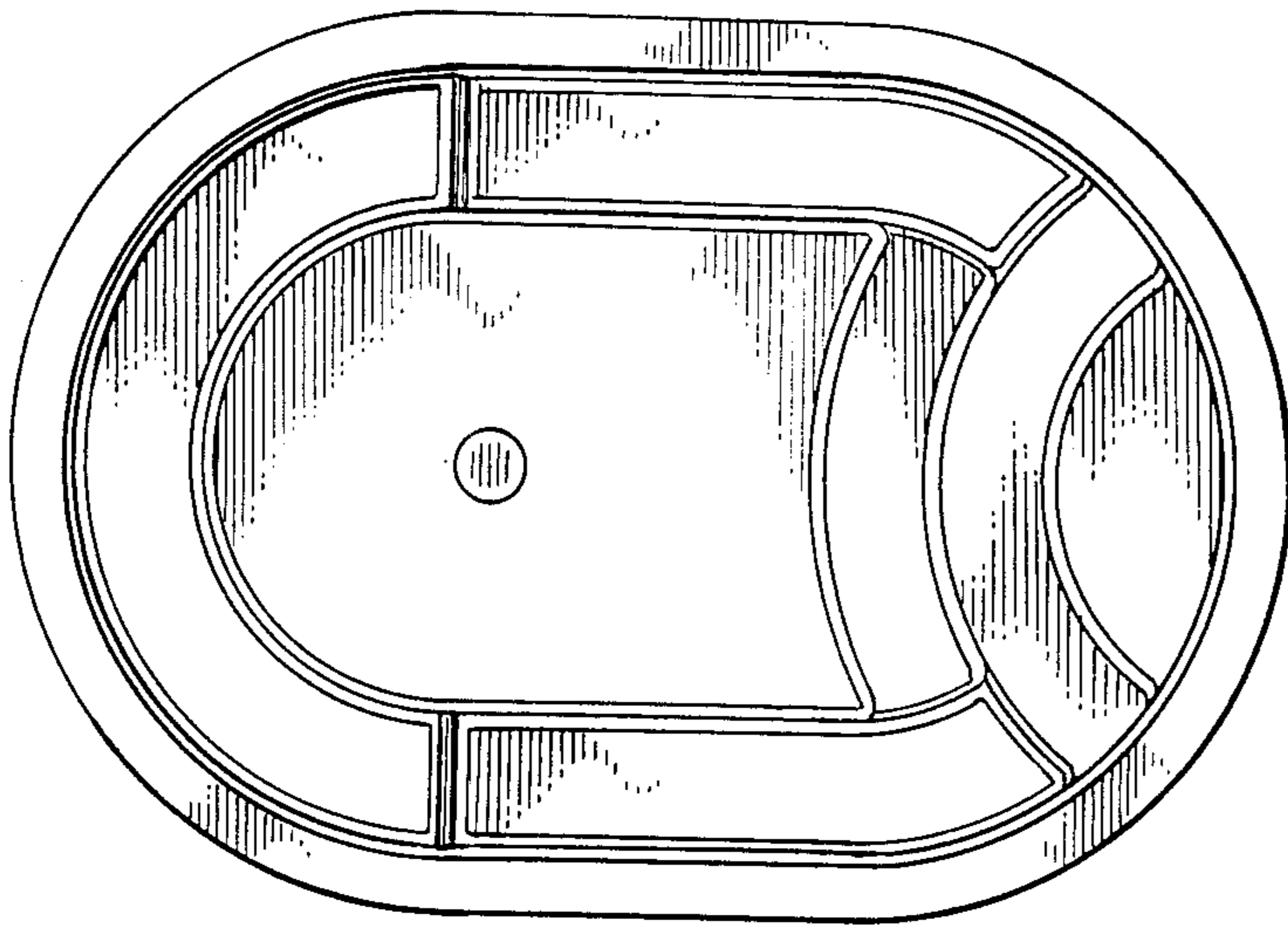


Fig. 1

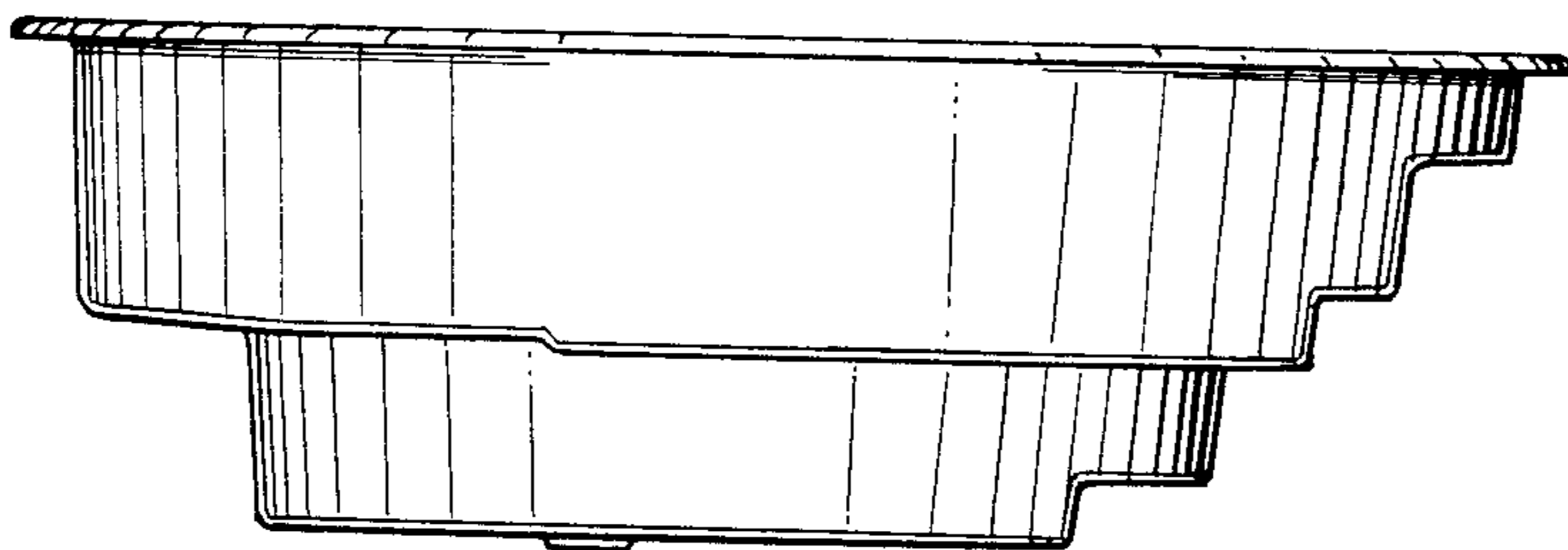


Fig. 2

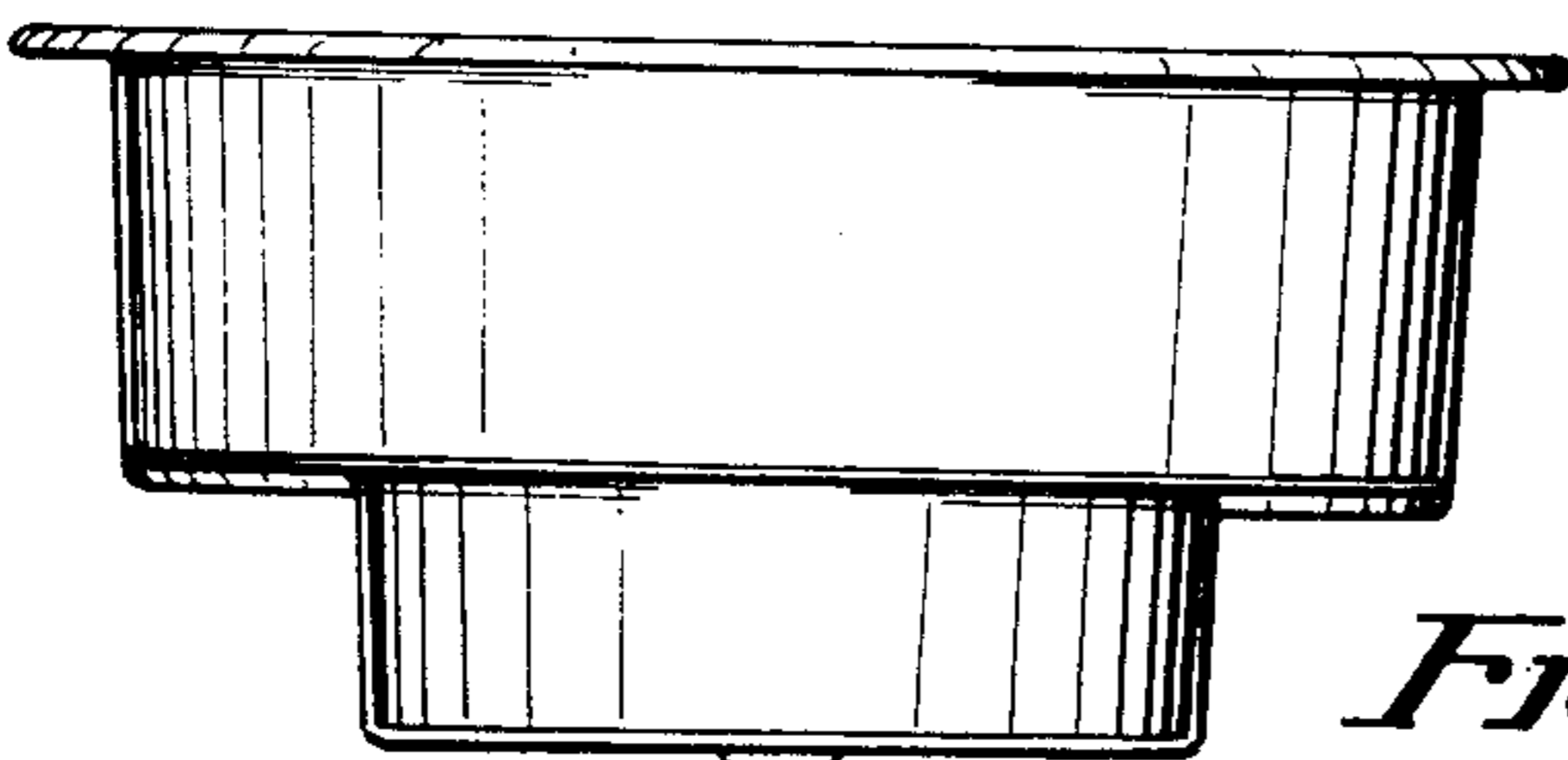


Fig. 3

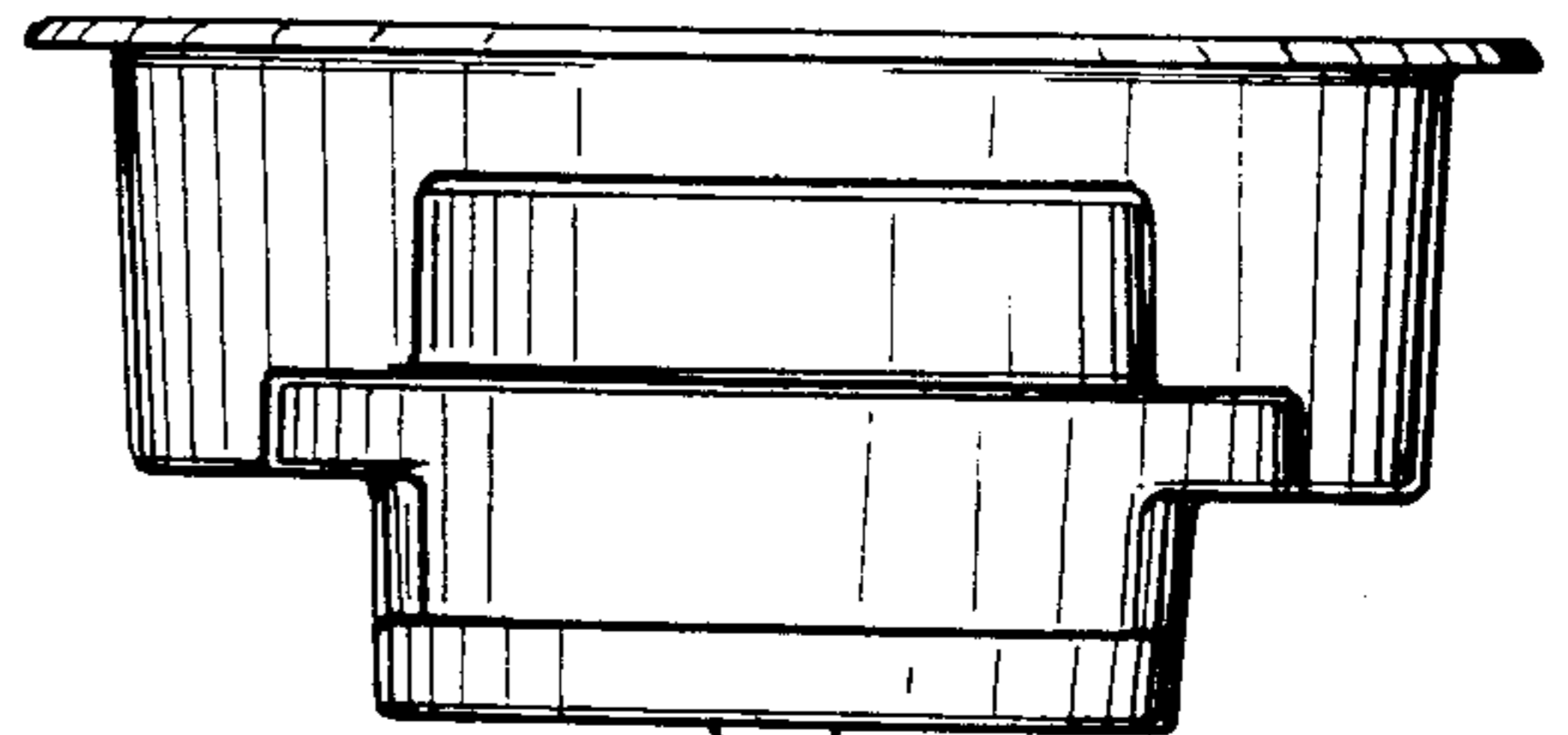


Fig. 4

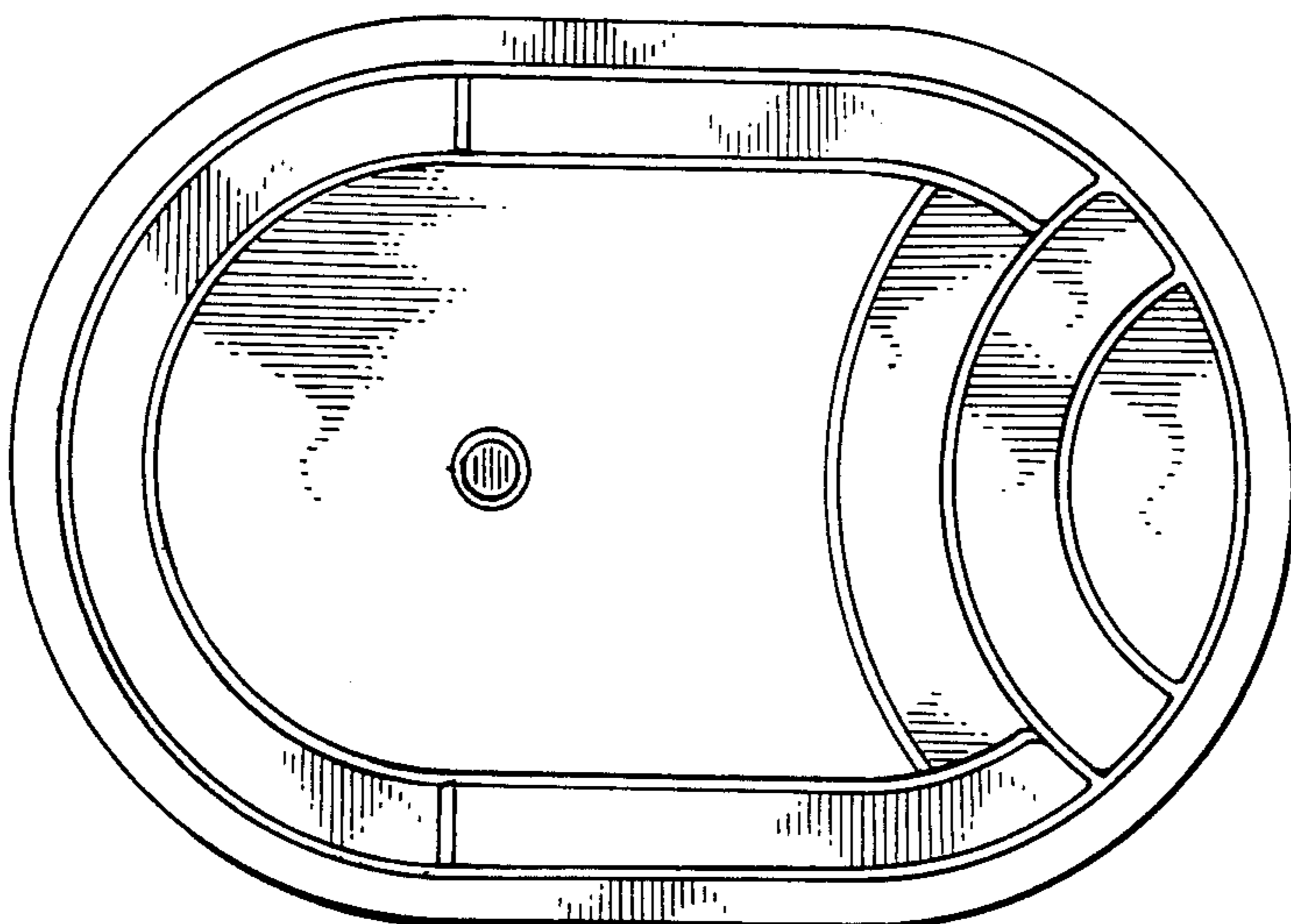


Fig. 5