

[54] CAR RADIO

[76] Inventor: **Hiromasa Imado**, Suite 101, 15th Bldg., 14 Oimatsu cho, Nishinomiya, Hyogo, Japan

[**] Term: **14 Years**

[21] Appl. No.: **619,610**

[22] Filed: **Oct. 6, 1975**

[30] **Foreign Application Priority Data**
Sept. 5, 1975 Japan 50-36255

[51] Int. Cl. **D14-03**

[52] U.S. Cl. **D14/5**

[58] **Field of Search** D56/4 R, 4 B; D26/14 B, D26/14 K, 14 L; 312/7 R; 325/352, 300, 311; 334/7; 179/100.11-100.12 A

[56] **References Cited**

U.S. PATENT DOCUMENTS

D. 224,544 8/1972 Nishimura D26/14 B
D. 241,069 8/1976 Sandberg D56/4 B

OTHER PUBLICATIONS

Premium Practice, July 1967, p. 65 - tenna car stereo.
Home Furnishings Daily, May 29, 1974, p. 12 - met-rosound in-dash car tape player/radio center right.

Primary Examiner—Joel Stearman
Assistant Examiner—Louis S. Zarfes
Attorney, Agent, or Firm—Dale R. Small

[57] **CLAIM**

The ornamental design for a car radio, substantially as shown.

DESCRIPTION

FIG. 1 is a front elevational view of a car radio showing my new design;
FIG. 2 is a perspective view of top side of the car radio;
FIG. 3 is a perspective view of bottom side of the car radio.

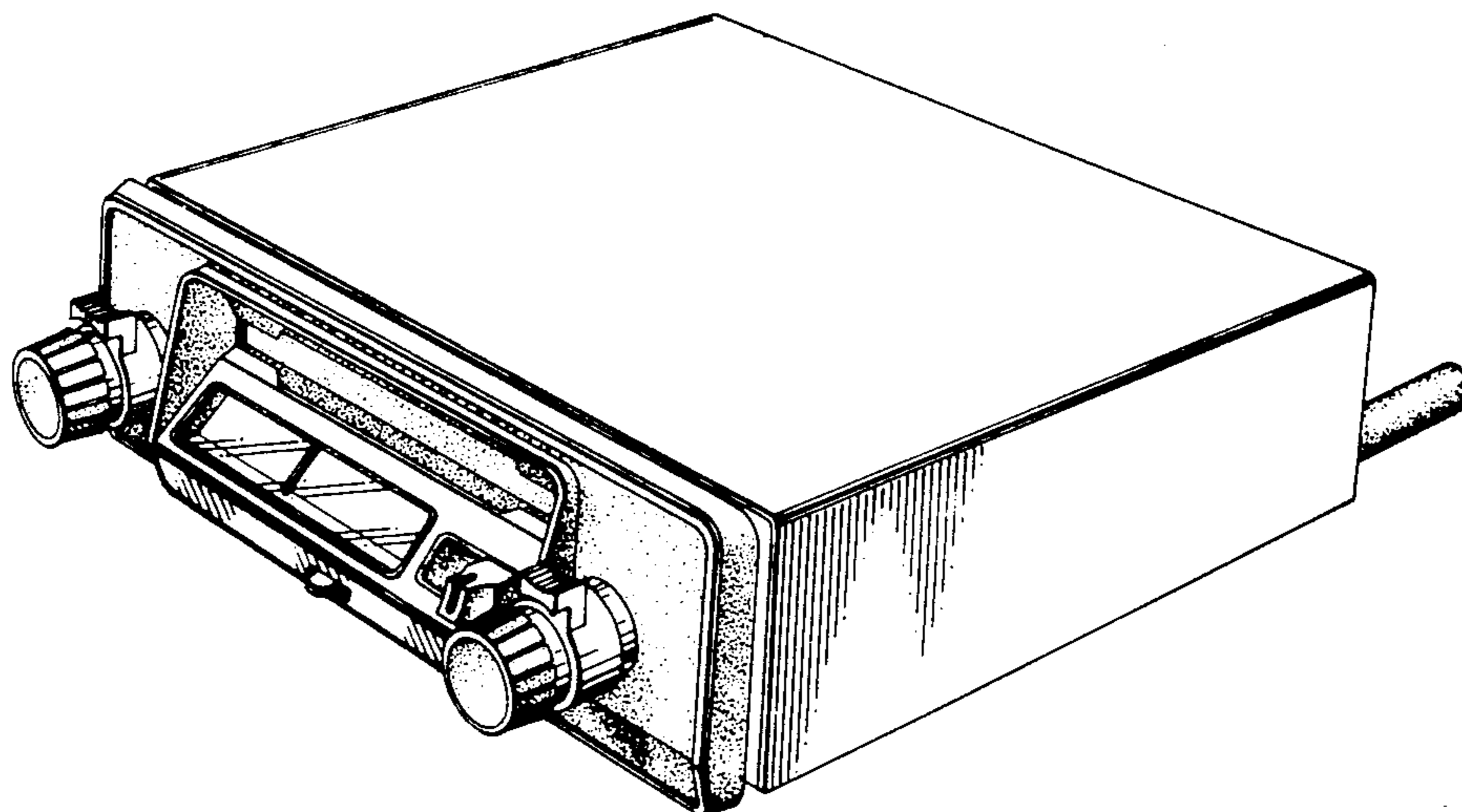


FIG. 1

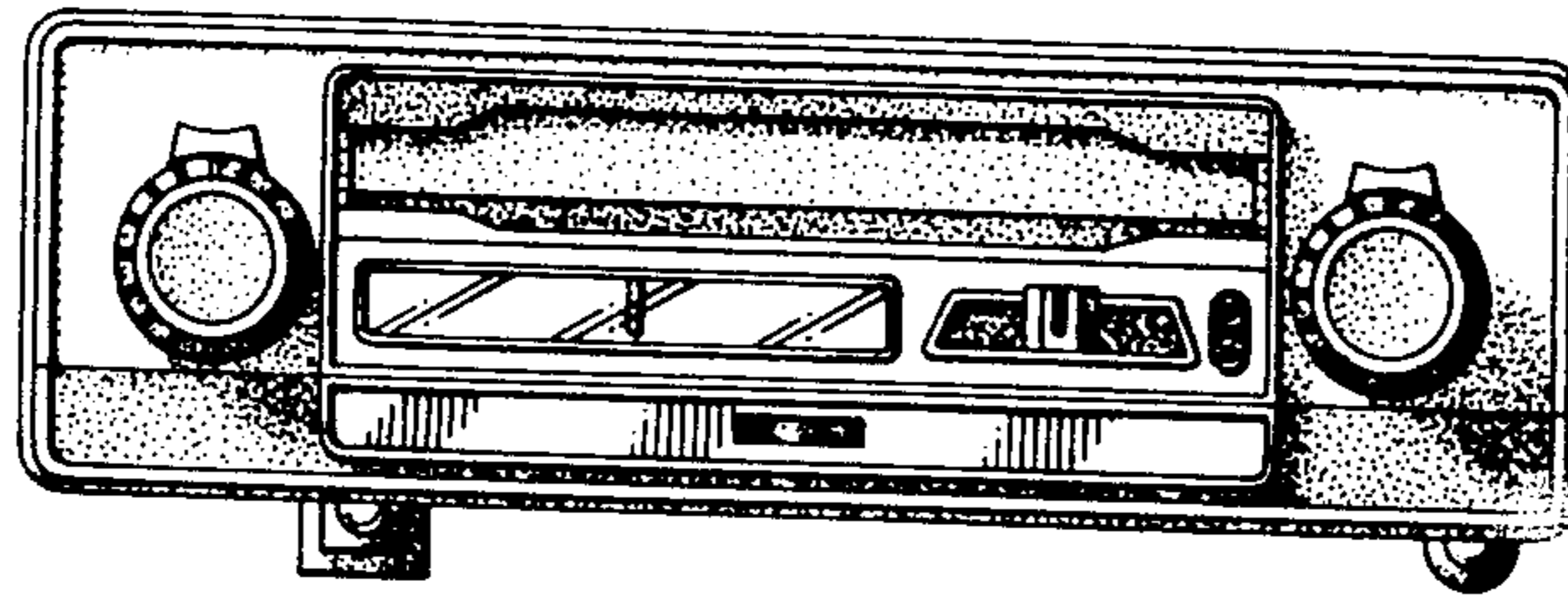


FIG. 2

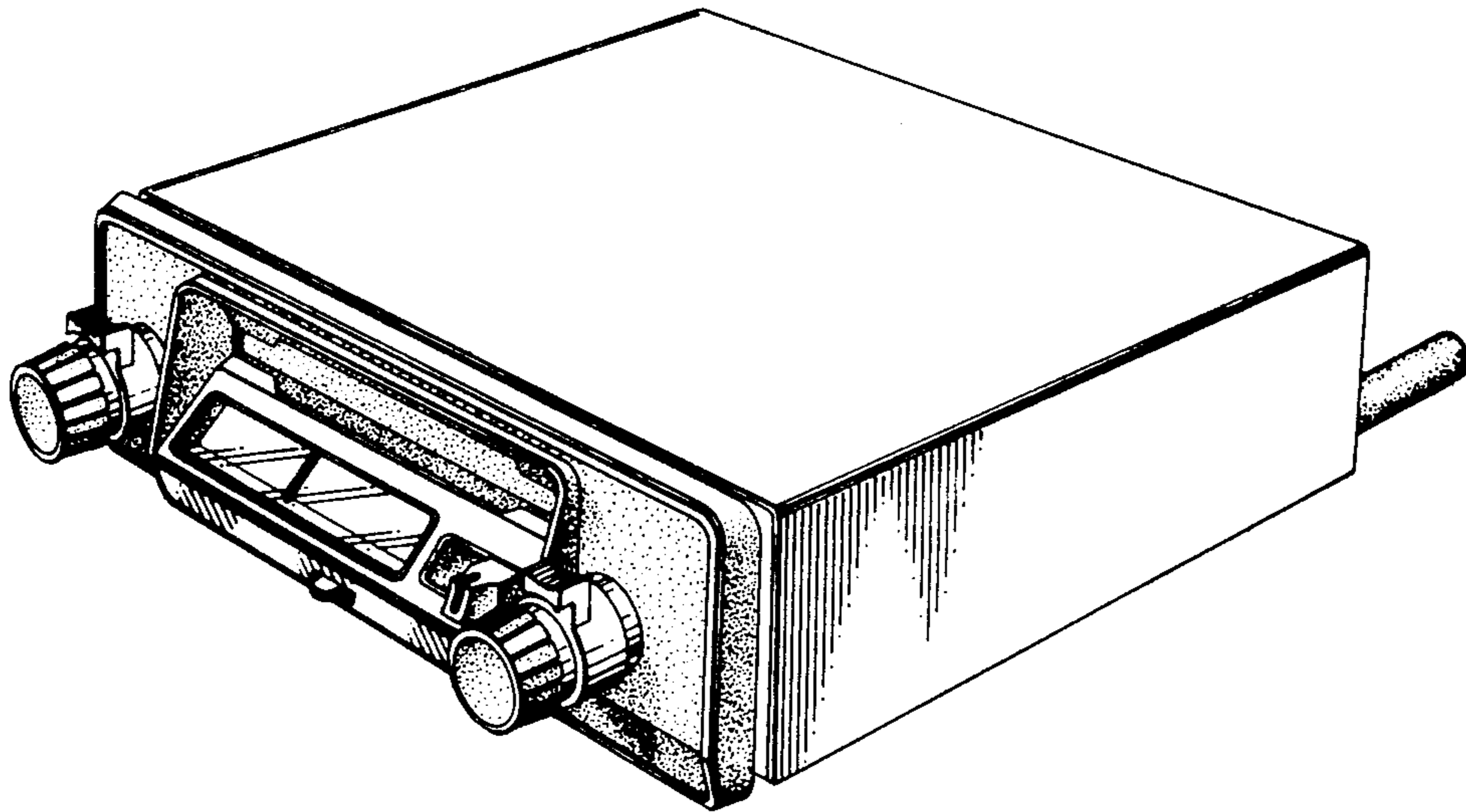


FIG. 3

