

[54] **GAME PROJECTILE LAUNCHER**

[76] Inventor: **Carl M. Henry**, 1956 Franklin Ave.,  
Toledo, Ohio 43624

[\*\*] Term: **14 Years**

[21] Appl. No.: **604,881**

[22] Filed: **Aug. 14, 1975**

[51] Int. Cl. .... **D21—01**

[52] U.S. Cl. .... **D34/15 PP**

[58] Field of Search ..... **D34/15 PP, 5 GP;**  
**273/95 F, 105 R, 95 R**

3,367,659 2/1968 Lopez ..... 273/95 F  
3,817,525 6/1974 Henry ..... 273/95 F

*Primary Examiner*—Melvin B. Feifer  
*Attorney, Agent, or Firm*—George R. Royer

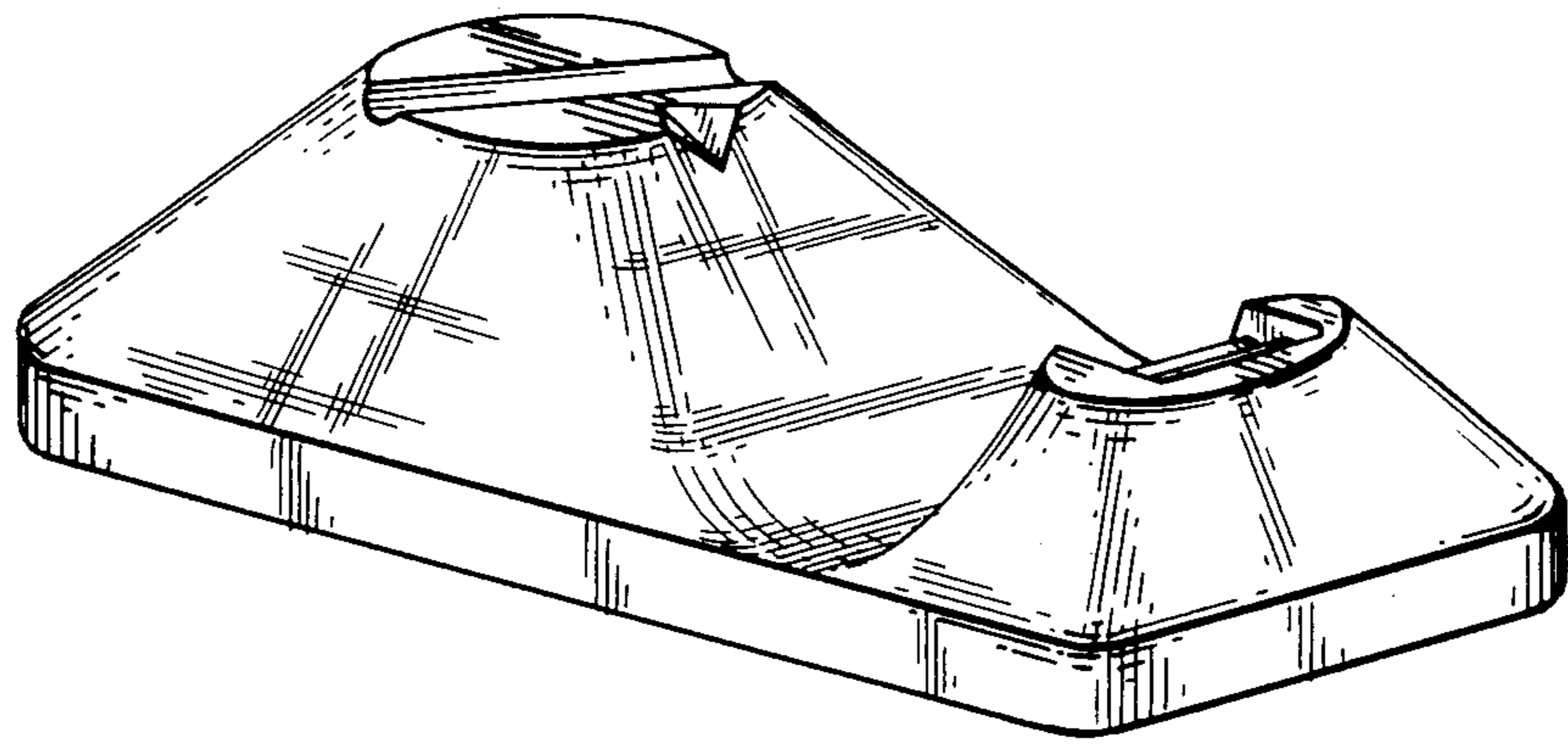
[57] **CLAIM**

The ornamental design for a game projectile launcher, as shown.

**DESCRIPTION**

FIG. 1 is a perspective view of a game projectile launcher showing my new design;  
FIG. 2 is a top plan view of the launcher;  
FIG. 3 is a sectional view taken along the line 3—3 in FIG. 2;  
FIG. 4 is an end elevational view of the launcher;  
FIG. 5 is an end elevational view of the launcher opposite from the end represented in FIG. 4.

[56] **References Cited**  
**U.S. PATENT DOCUMENTS**  
2,993,696 7/1961 Demaline ..... 273/95 F



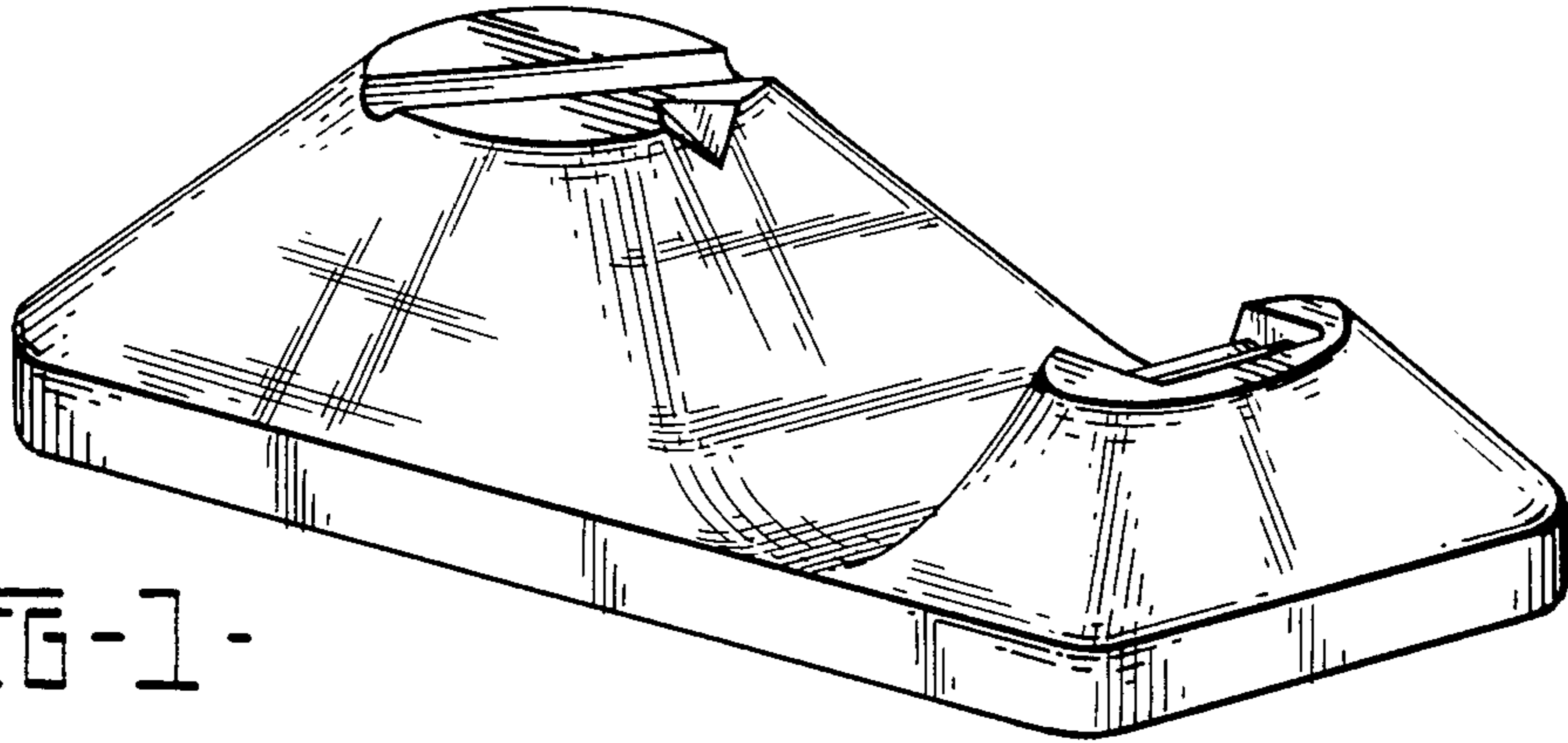


FIG-1-

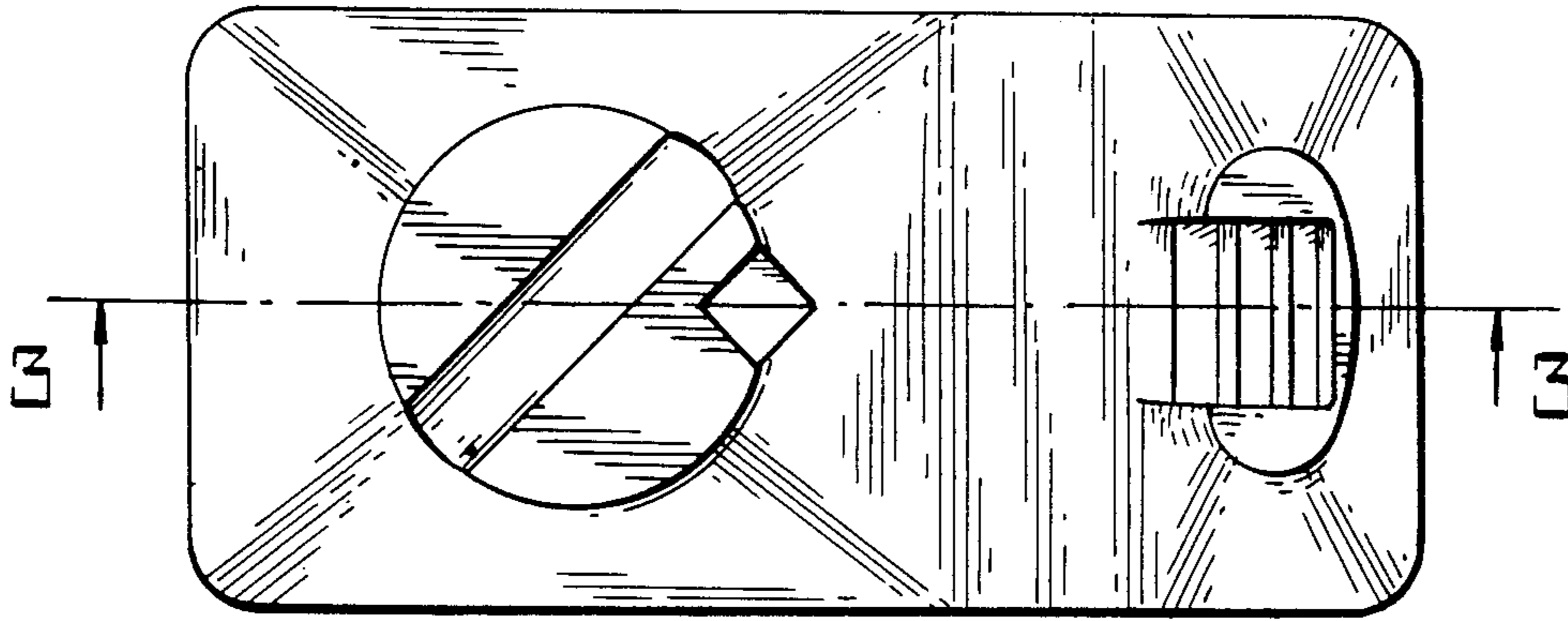


FIG-2-

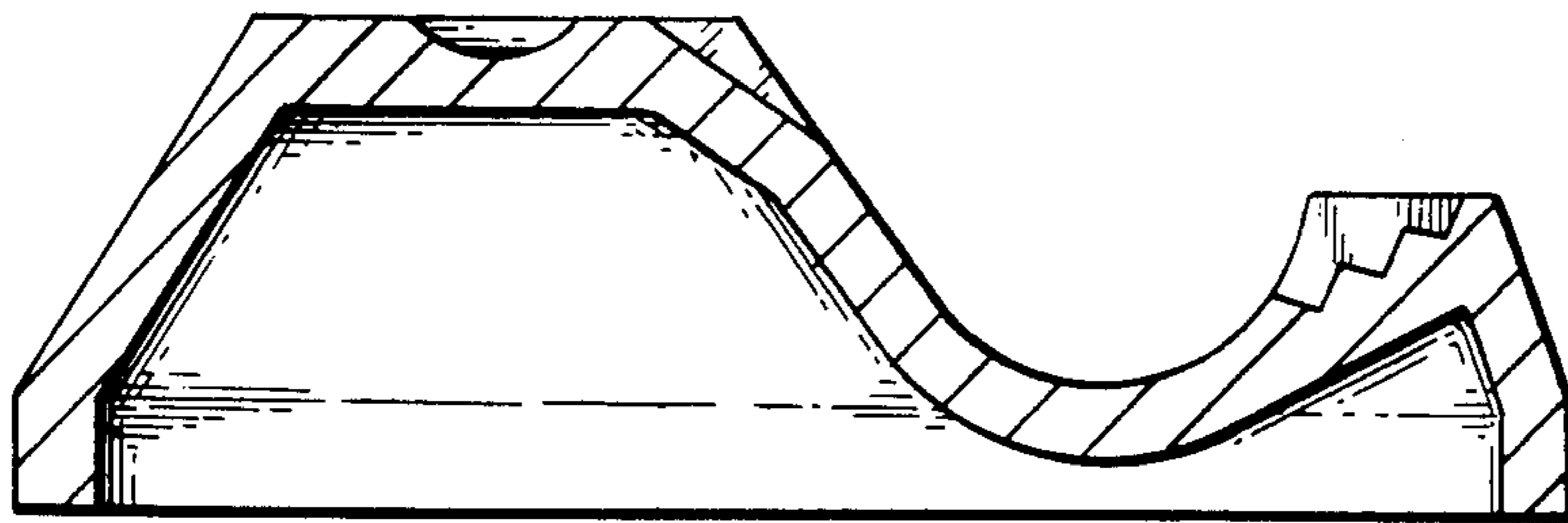


FIG-3-

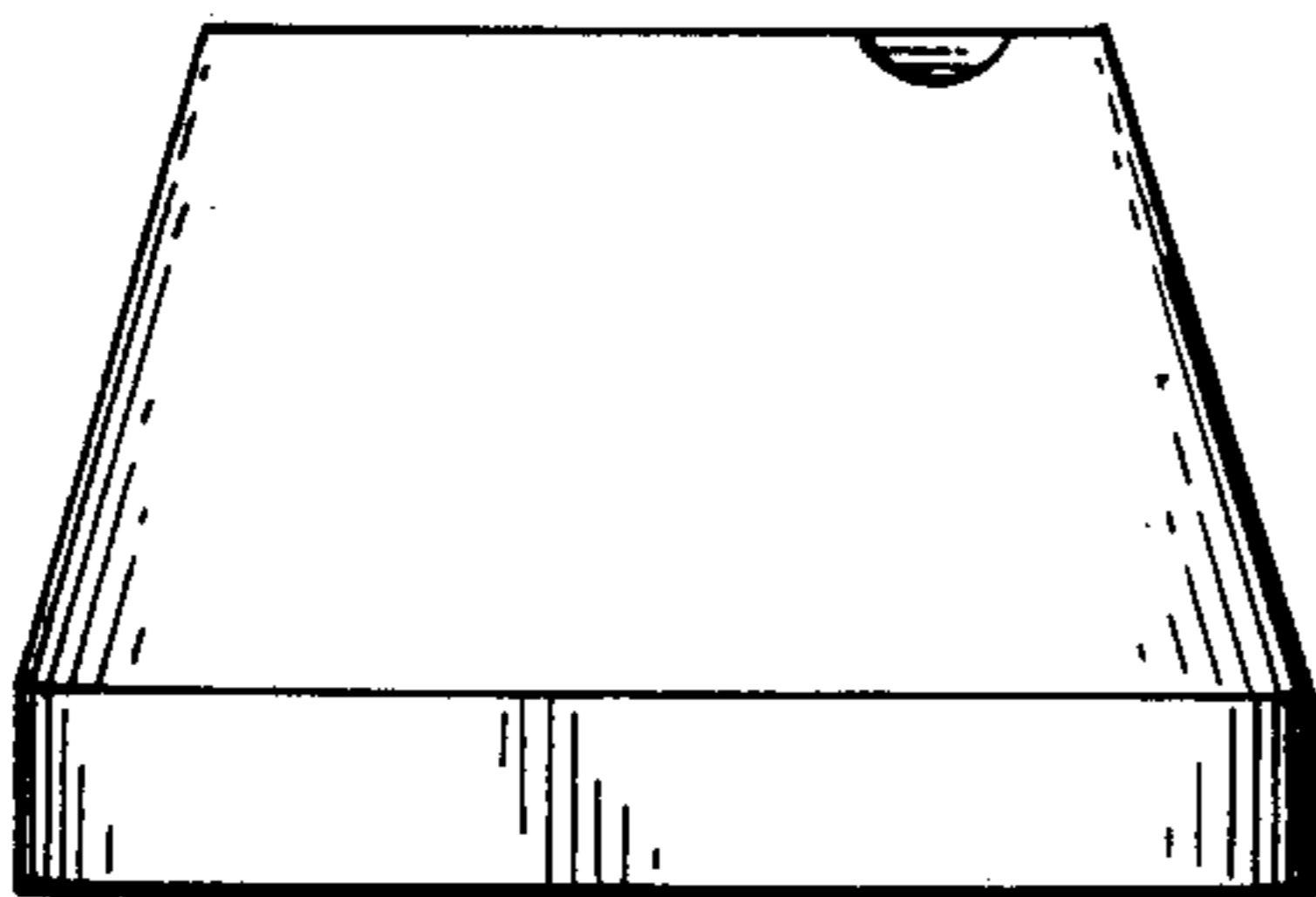


FIG-4-

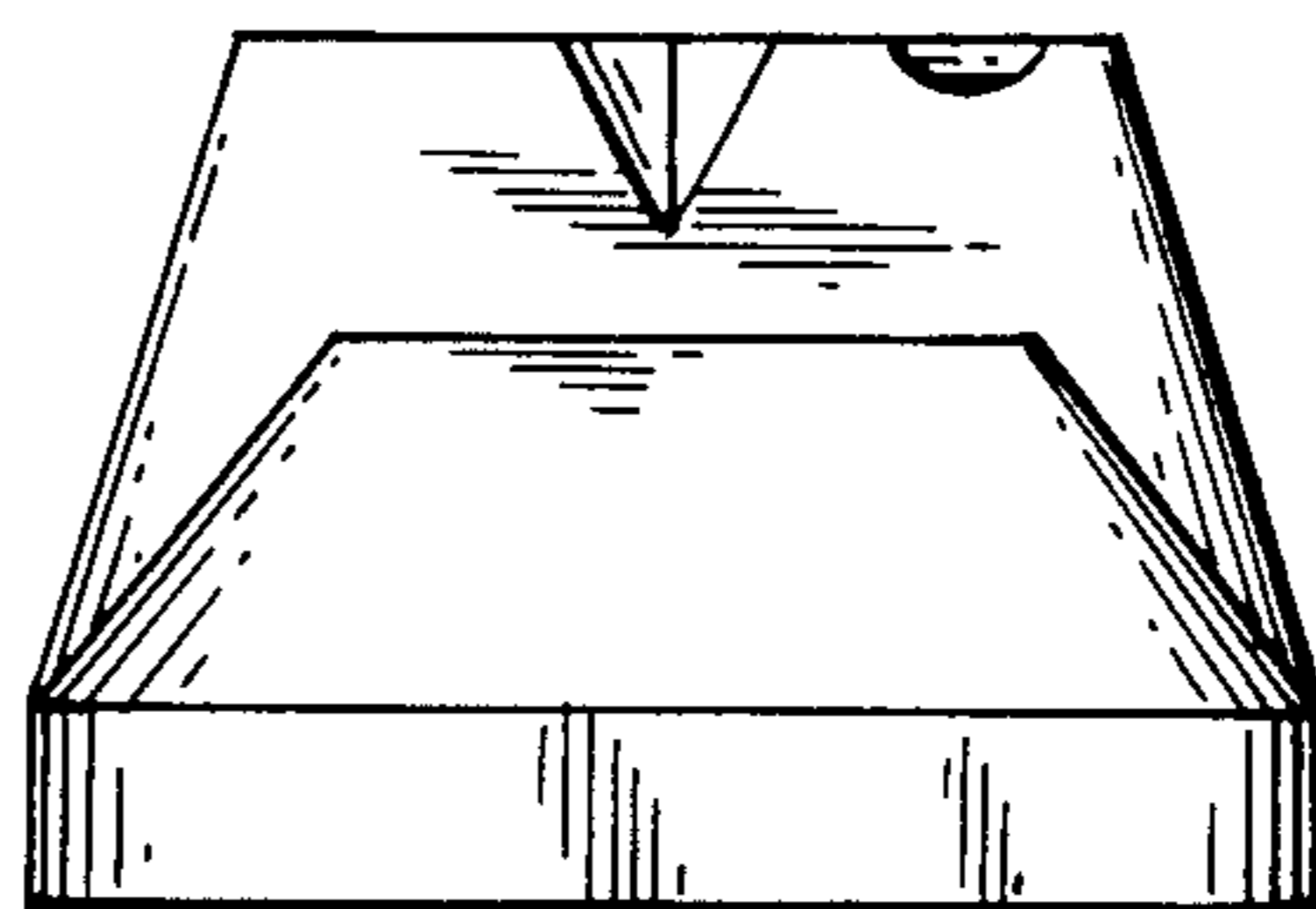


FIG-5-