

[54] INTERCONNECTING PIECE FOR AN EDUCATIONAL PEGBOARD

[75] Inventors: Robert Maddestra, Canton; David E. Munn, Framingham, both of Mass.

[73] Assignee: Damon Corporation, Needham Heights, Mass.

[**] Term: 14 Years

[21] Appl. No.: 595,320

[22] Filed: July 11, 1975

[51] Int. Cl. D21-01

[52] U.S. Cl. D34/15 GG

[58] Field of Search D34/15 GG; D19/59, 52; 46/27, 28, 29; 273/136 GB, 136 C; 35/73, 31 D, 31 F; D25/90

[56]

References Cited

U.S. PATENT DOCUMENTS

3,235,975 2/1966 Pierson 35/73
3,478,446 11/1969 McCutcheon 35/73

FOREIGN PATENT DOCUMENTS

99,158 6/1961 Norway 46/28

Primary Examiner—Melvin B. Feifer
Attorney, Agent, or Firm—Melvin R. Jenney

[57]

CLAIM

The ornamental design for an interconnecting piece for an educational pegboard, as shown.

DESCRIPTION

FIG. 1 is a perspective view of our new design for an interconnecting piece for an educational pegboard; FIG. 2 is a bottom plan view of the design shown in FIG. 1; FIG. 3 is a view of the male side of the new design; FIG. 4 is an end view of the new design along line 4-4 of FIG. 3.

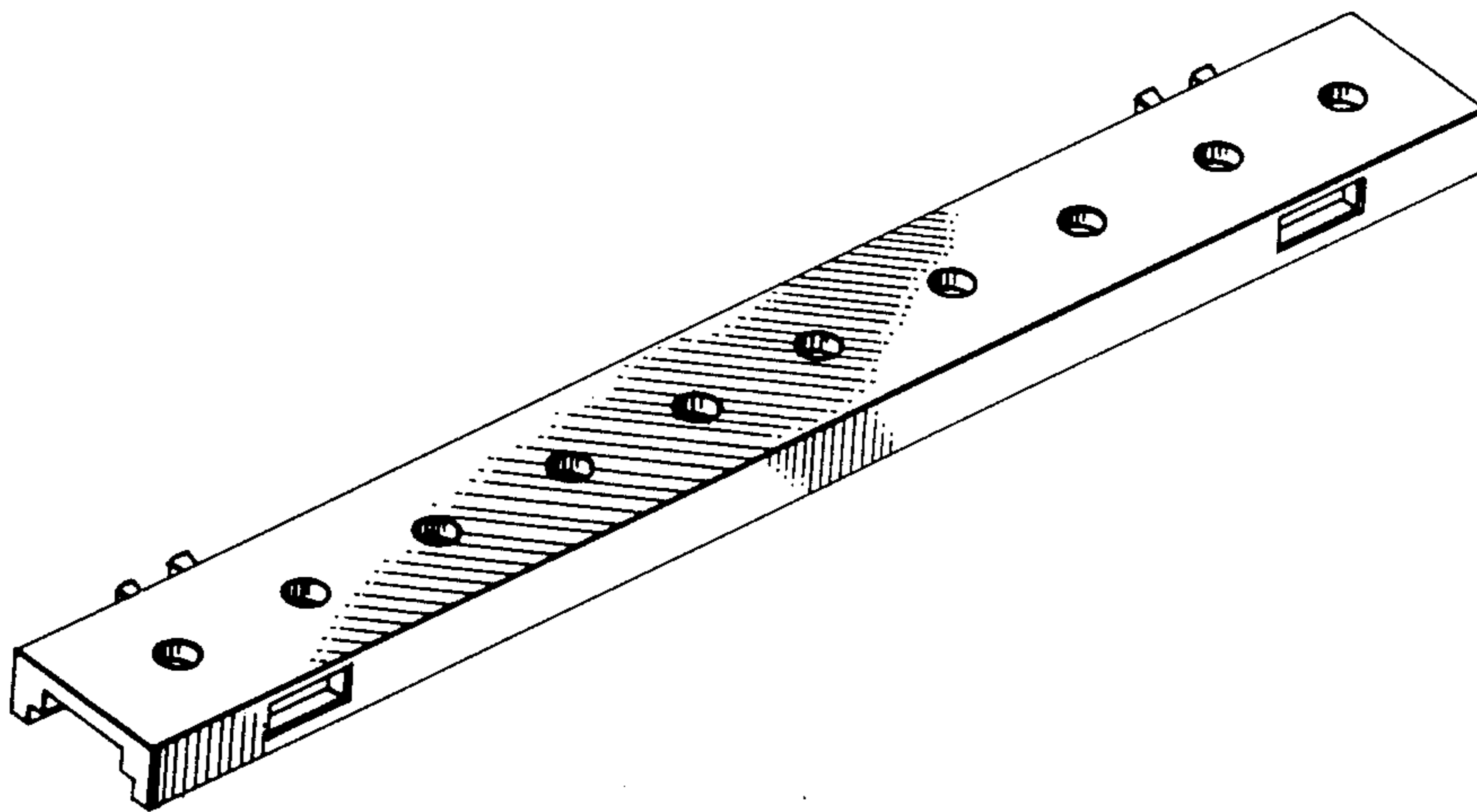


FIG. 1.

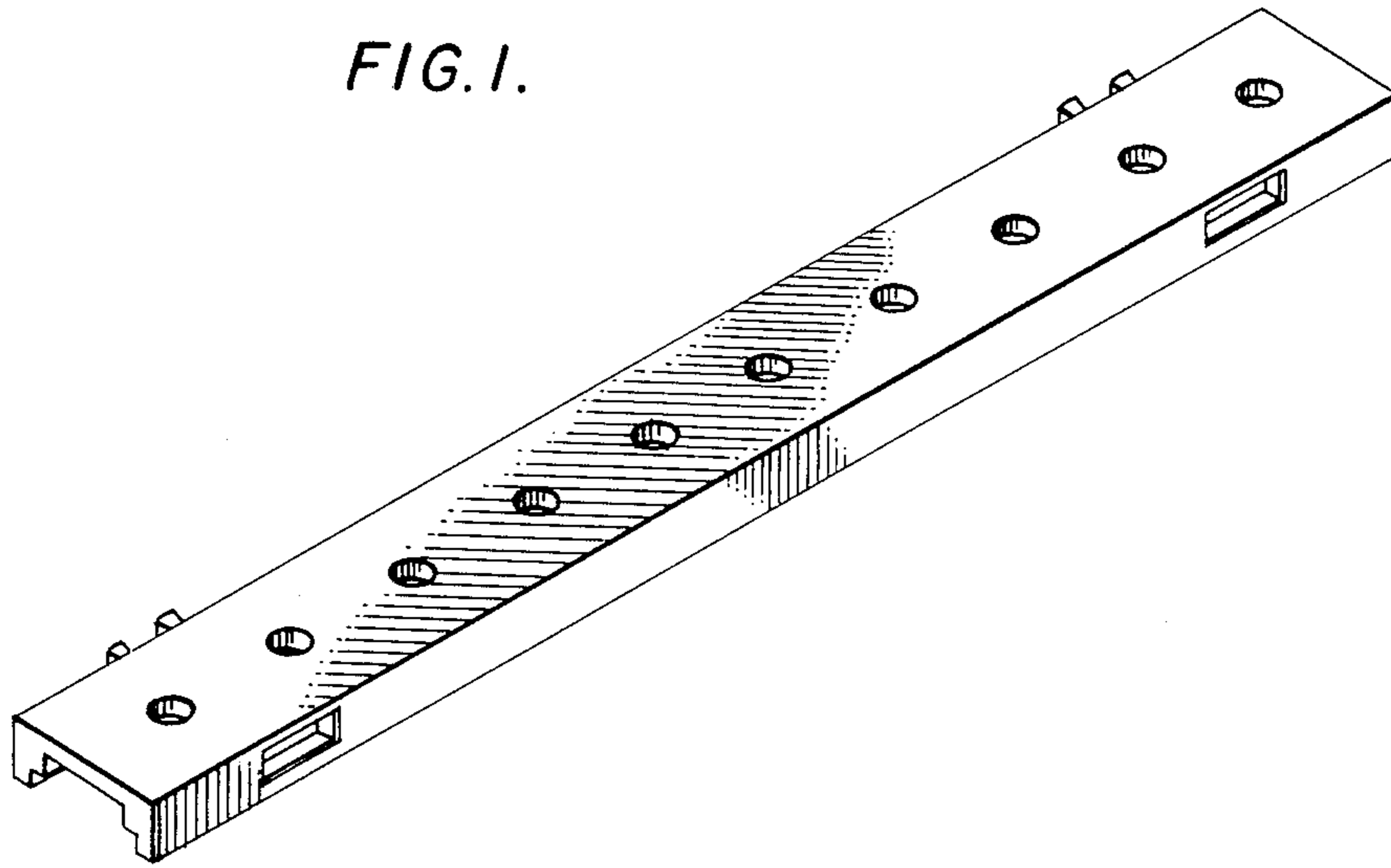


FIG. 2.

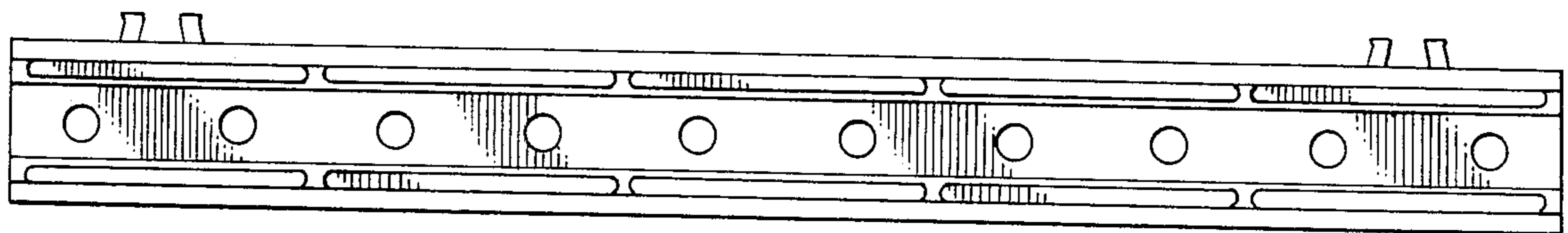


FIG. 3.

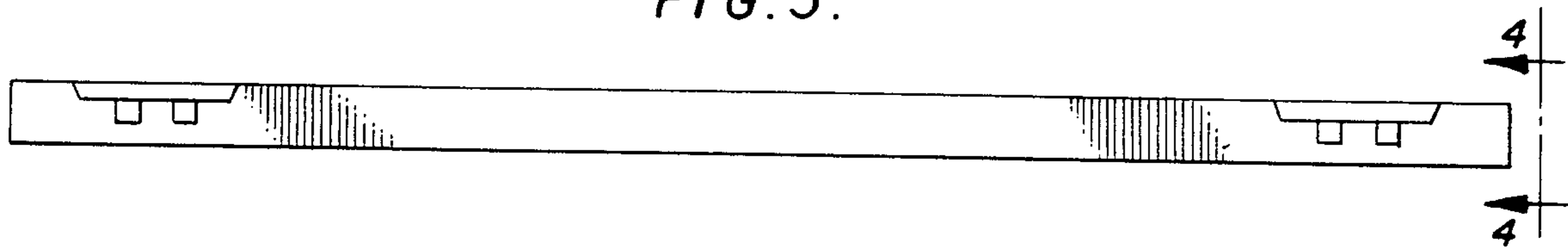


FIG. 4.

