

[54] JAI ALAI RACKET

[75] Inventor: Jeffery R. Bisch, Manhattan Beach, Calif.

[73] Assignee: Wham-O Mfg. Co., San Gabriel, Calif.

[**] Term: 14 Years

[21] Appl. No.: 639,471

[22] Filed: Dec. 10, 1975

[51] Int. Cl. D21-02

[52] U.S. Cl. D34/5 CT

[58] Field of Search D34/5 CT; 273/96 R, 273/129

[56]

References Cited

U.S. PATENT DOCUMENTS

2,029,790 2/1936 Philipp D34/5 CT
D. 110,863 8/1938 Hayes et al. D34/5 CT

Primary Examiner—Melvin B. Feifer
Attorney, Agent, or Firm—Robert L. Parker

[57]

CLAIM

The ornamental design for jai alai racket, substantially as shown and described.

DESCRIPTION

FIG. 1 is a perspective view of a jai alai racket showing my new design;

FIG. 2 is a front elevational view of the racket of FIG. 1;

FIG. 3 is a rear elevational view of the racket in FIG. 1;

FIG. 4 is a side elevational view of the racket of FIG. 1;

FIG. 5 is a bottom view of the racket of FIG. 1; and

FIG. 6 is a top view of the racket of FIG. 1.

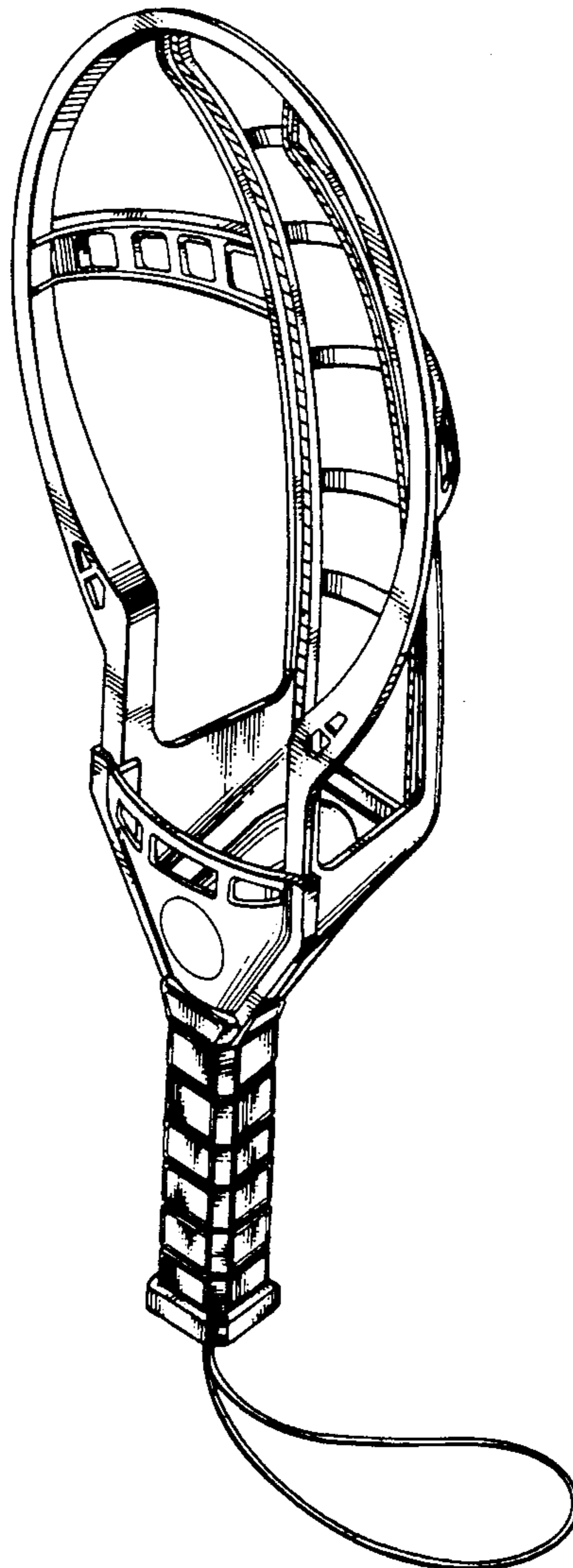
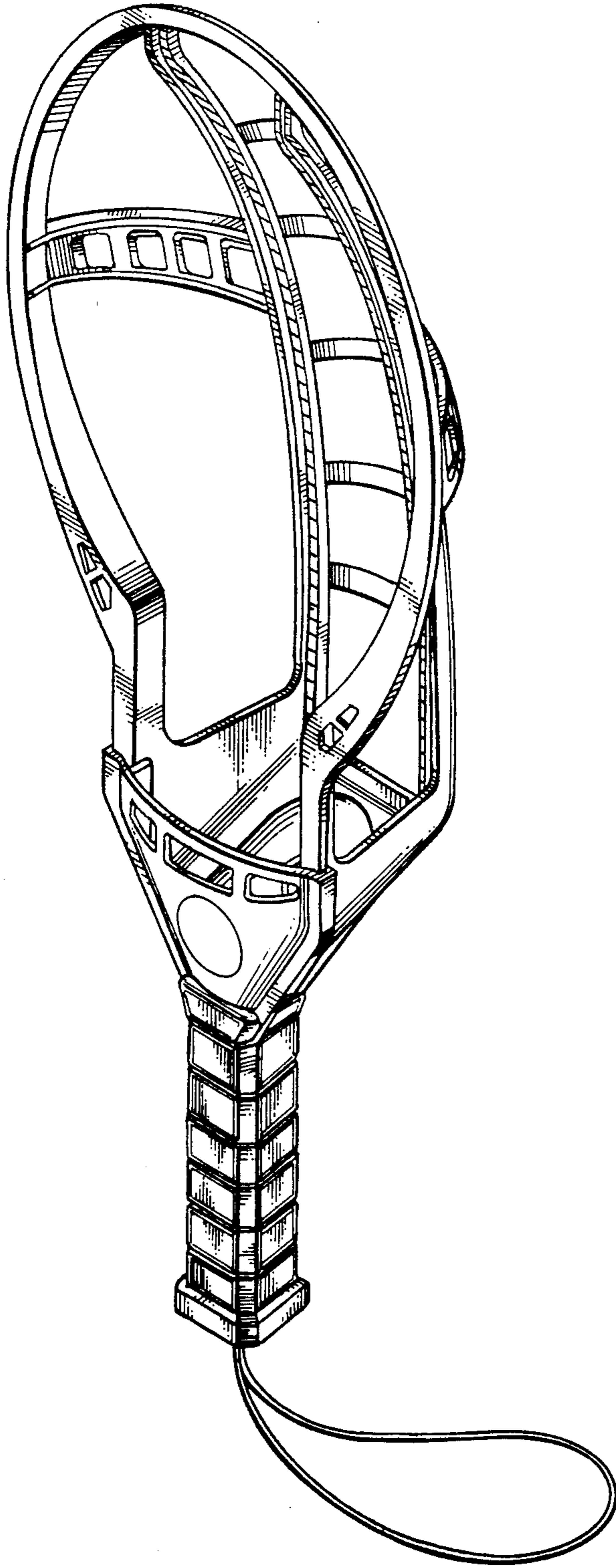


Fig. 1



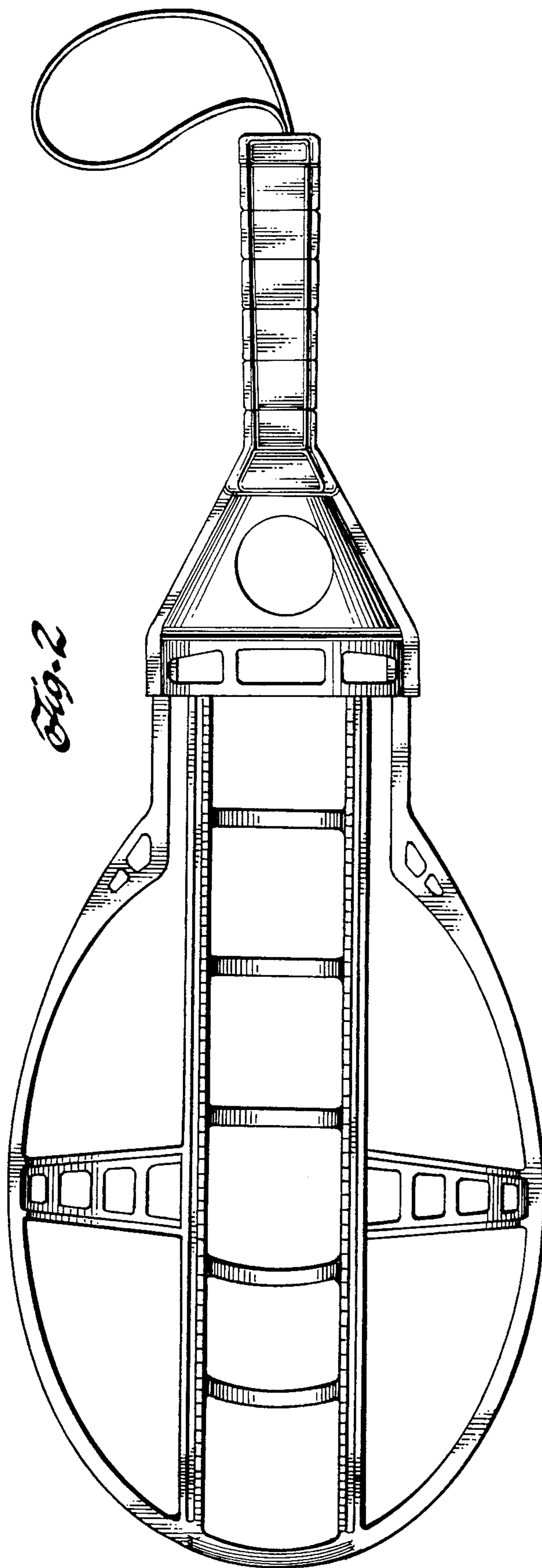


Fig. 3

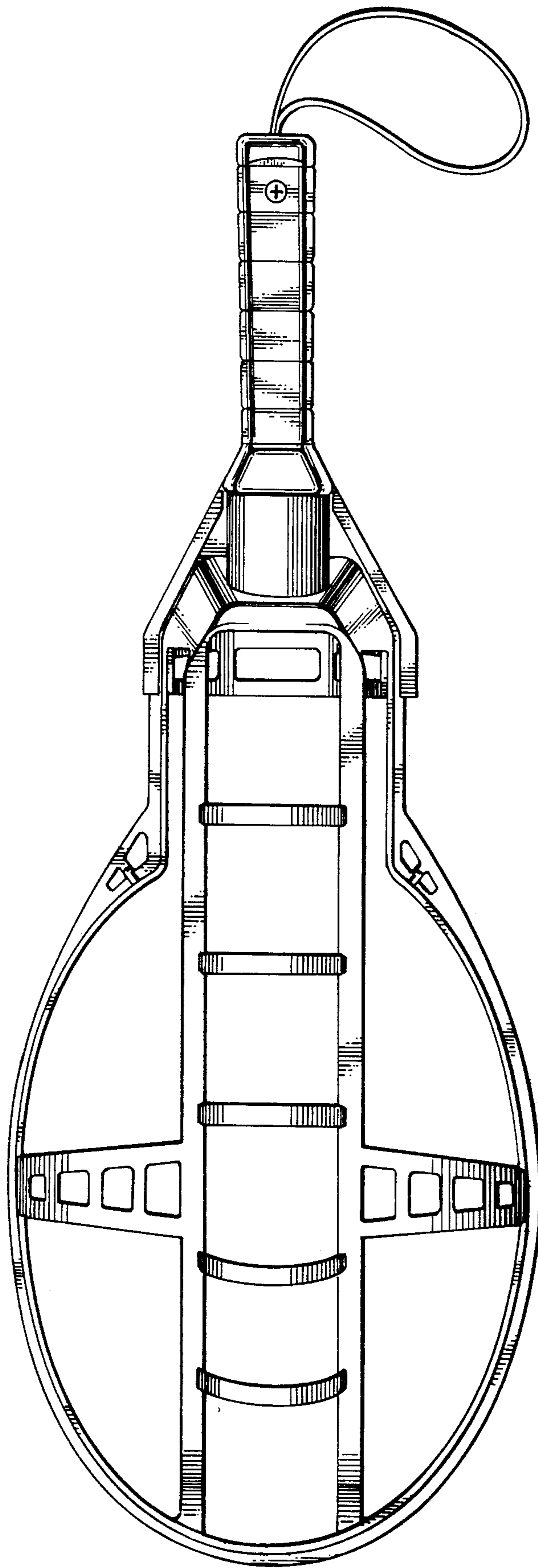


Fig. 1

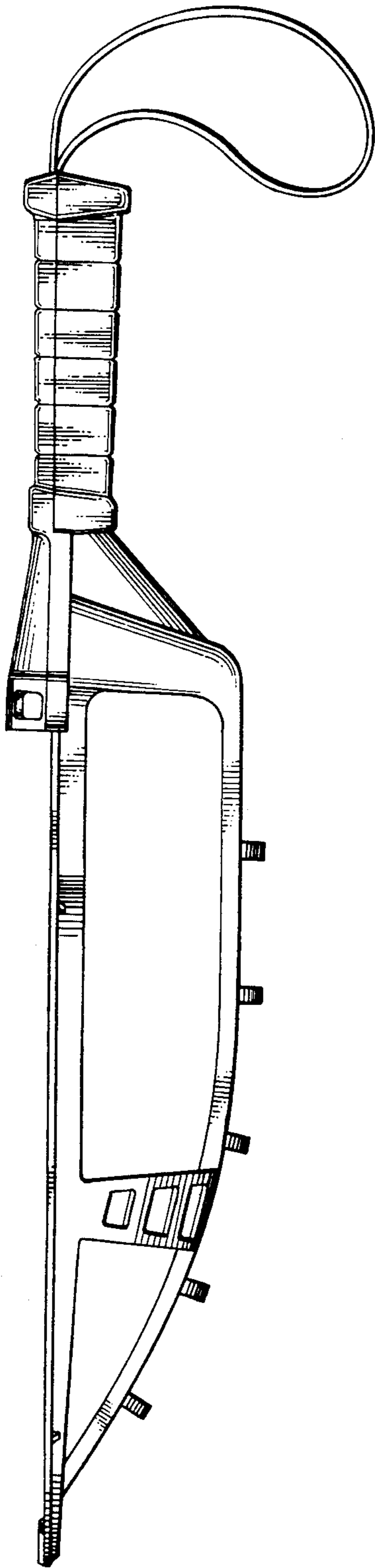


Fig. 5

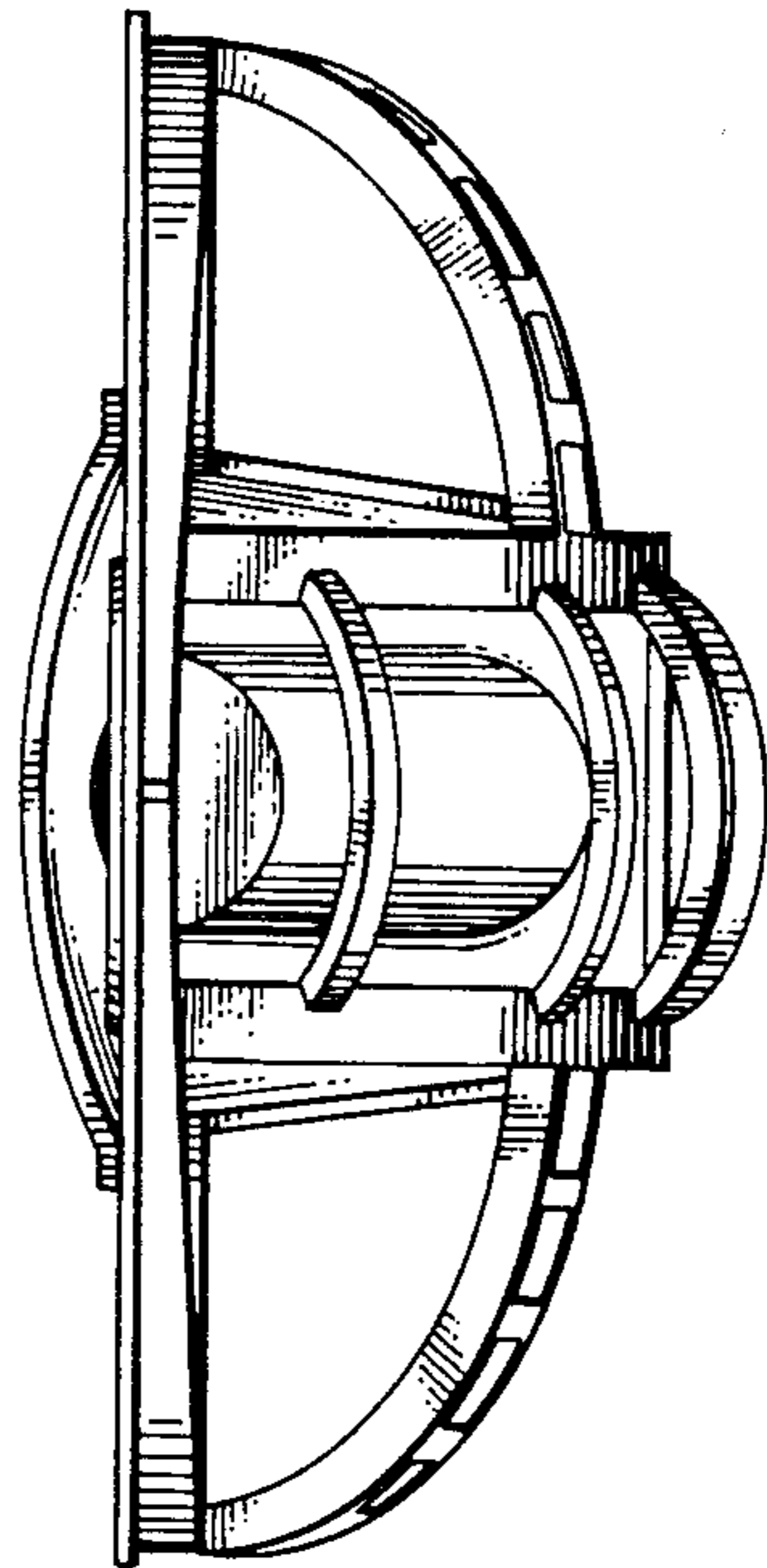


Fig. 6

