

[54] GOLF PUTTER OR SIMILAR ARTICLE

[76] Inventor: Nat Cabot, 300 W. Hallandale Beach Blvd., Hallandale, Fla. 33009

[**] Term: 14 Years

[21] Appl. No.: 585,472

[22] Filed: June 10, 1975

[51] Int. Cl. D21-02

[52] U.S. Cl. D34/5 GC

[58] Field of Search D34/5 GC, 5 GH; 273/167-175, 162 E, 163, 164, 186 A, 186 C, 186 R, 77, 78

[56] References Cited

U.S. PATENT DOCUMENTS

D. 229,622 12/1973 Bartron D34/5 GH
D. 231,373 4/1974 Pavelle D34/5 GH

FOREIGN PATENT DOCUMENTS

664,438 1/1952 United Kingdom D34/5 GH

Primary Examiner—Melvin B. Feifer
Attorney, Agent, or Firm—John B. Dickman, III

[57] CLAIM

The ornamental design for a golf putter or similar article, substantially as shown and described.

DESCRIPTION

FIG. 1 is a perspective view of the golf putter, showing my new design.

FIG. 2 is a top plan view of the putter.

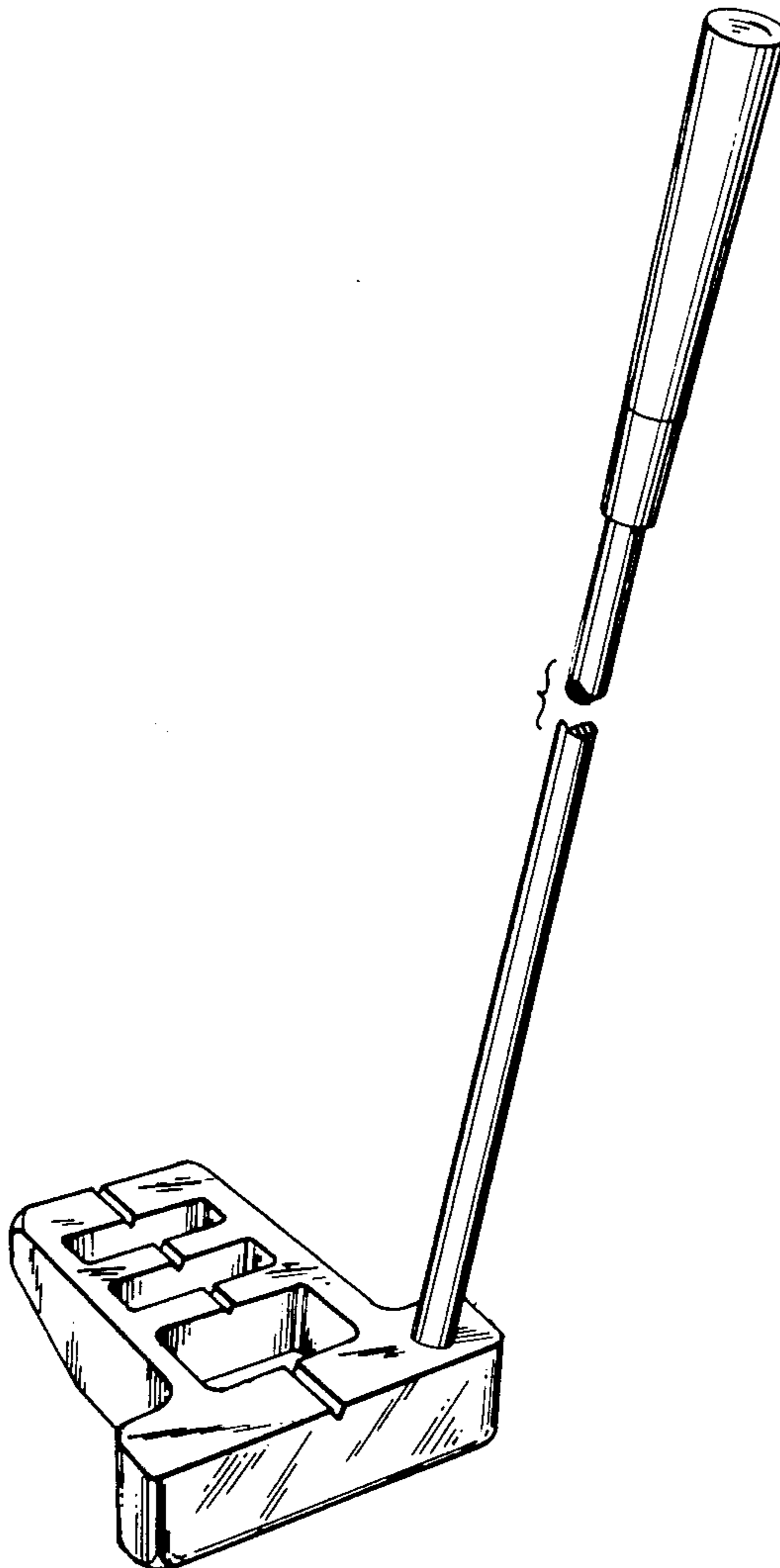
FIG. 3 is a front elevational view of the putter, showing the impact face of the putter.

FIG. 4 is a bottom view of the putter.

FIG. 5 is a rear elevational view of the putter.

FIG. 6 is a side elevational view of the putter.

FIGS. 2 through 6 are shown fragmentarily for convenience of illustration.



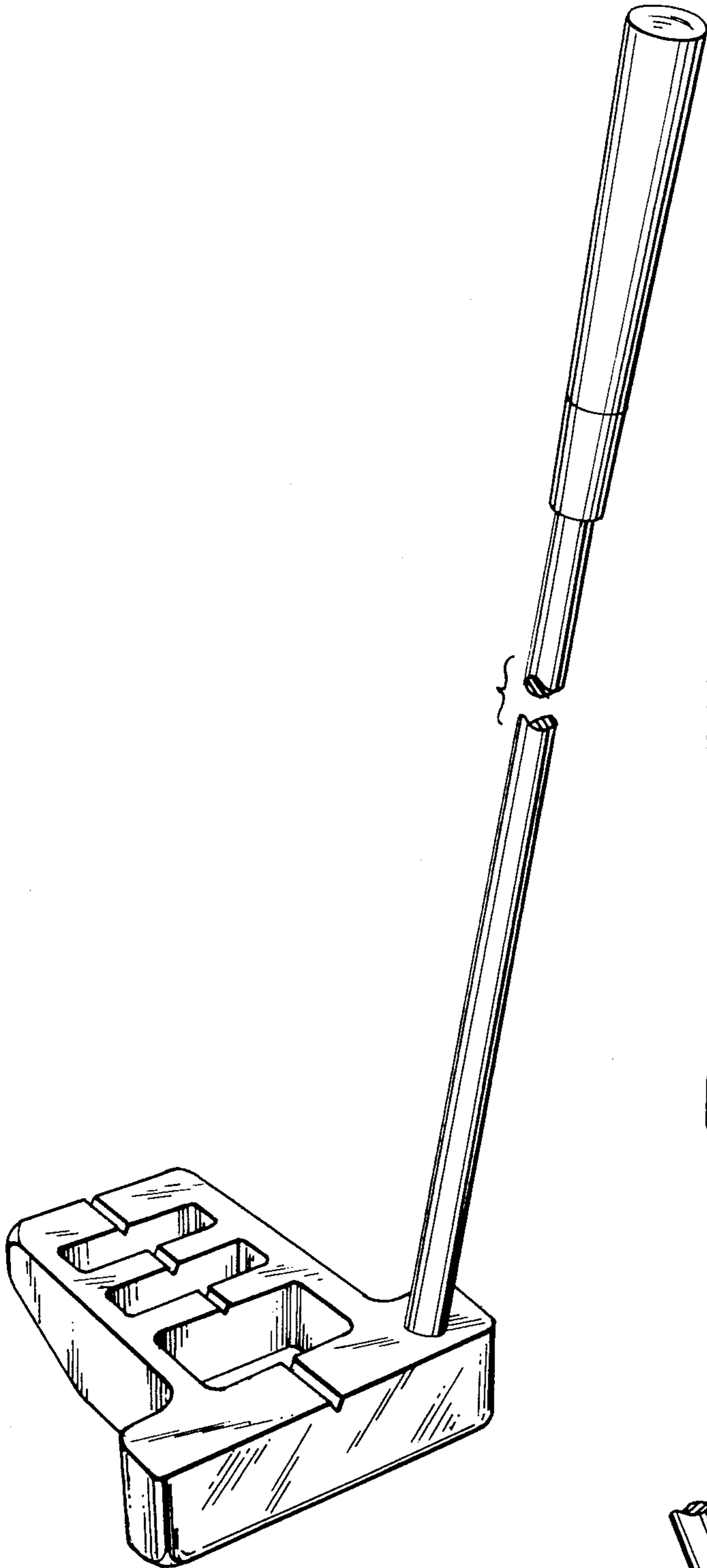


FIG. 1

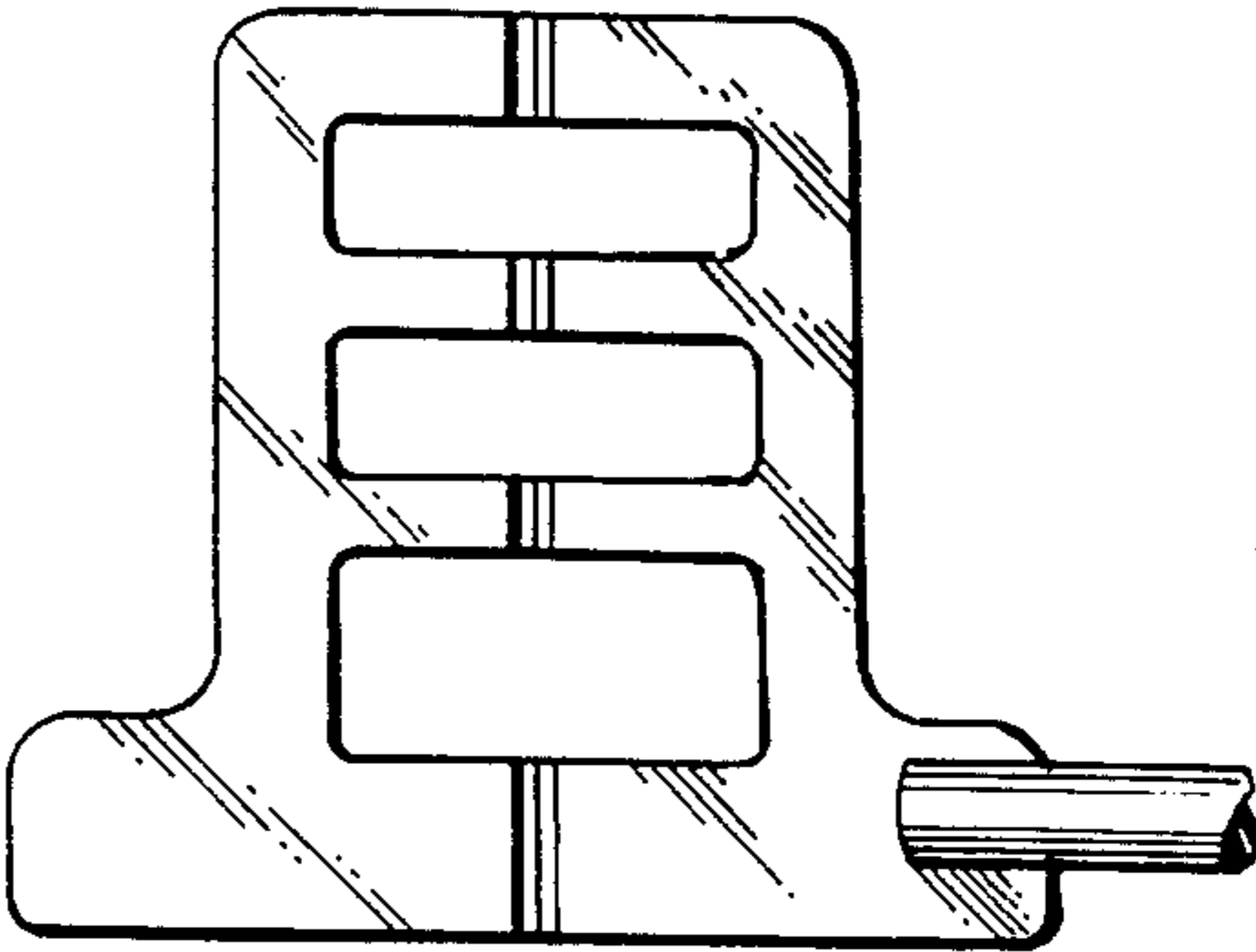


FIG. 2

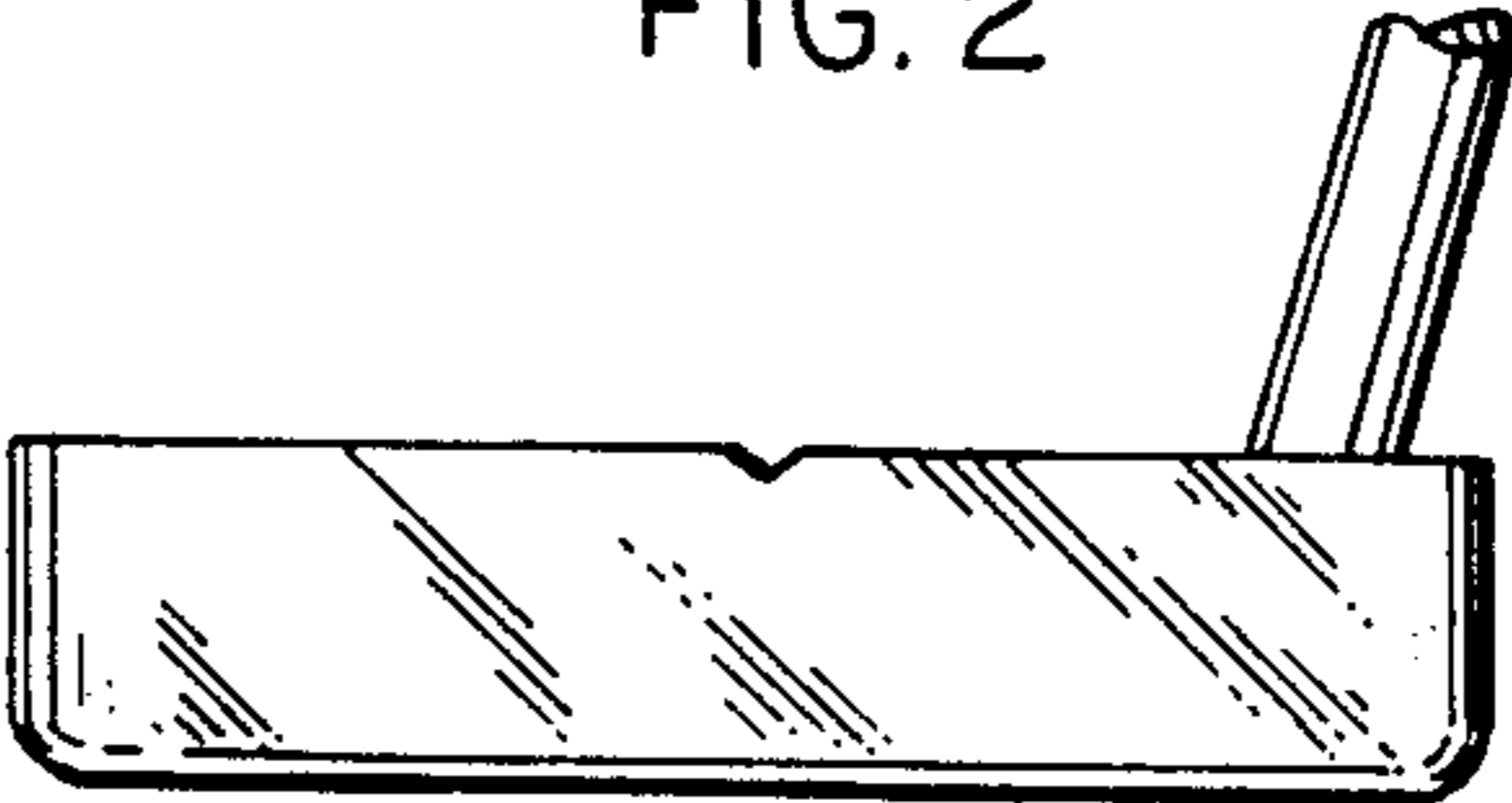


FIG. 3

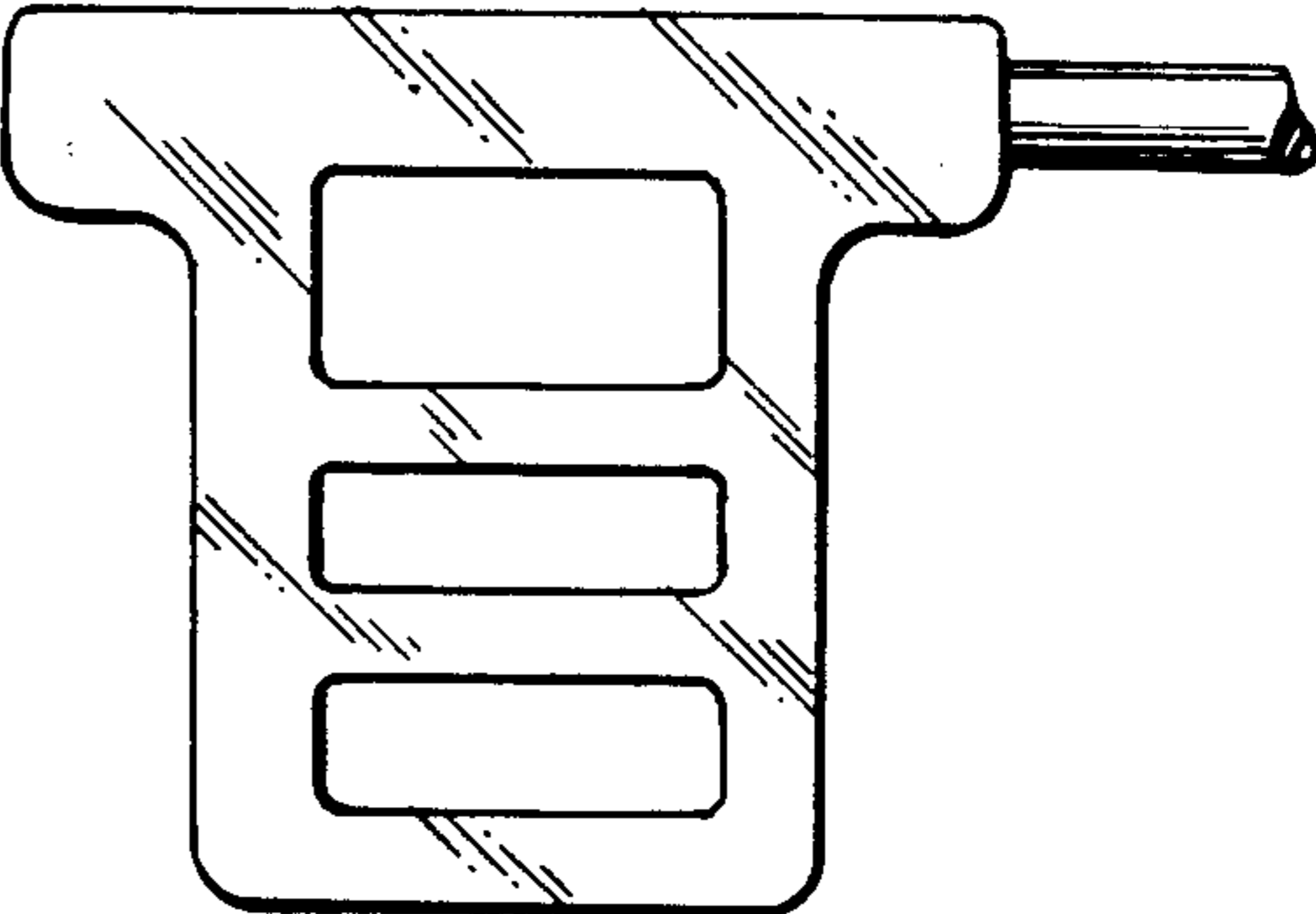


FIG. 4

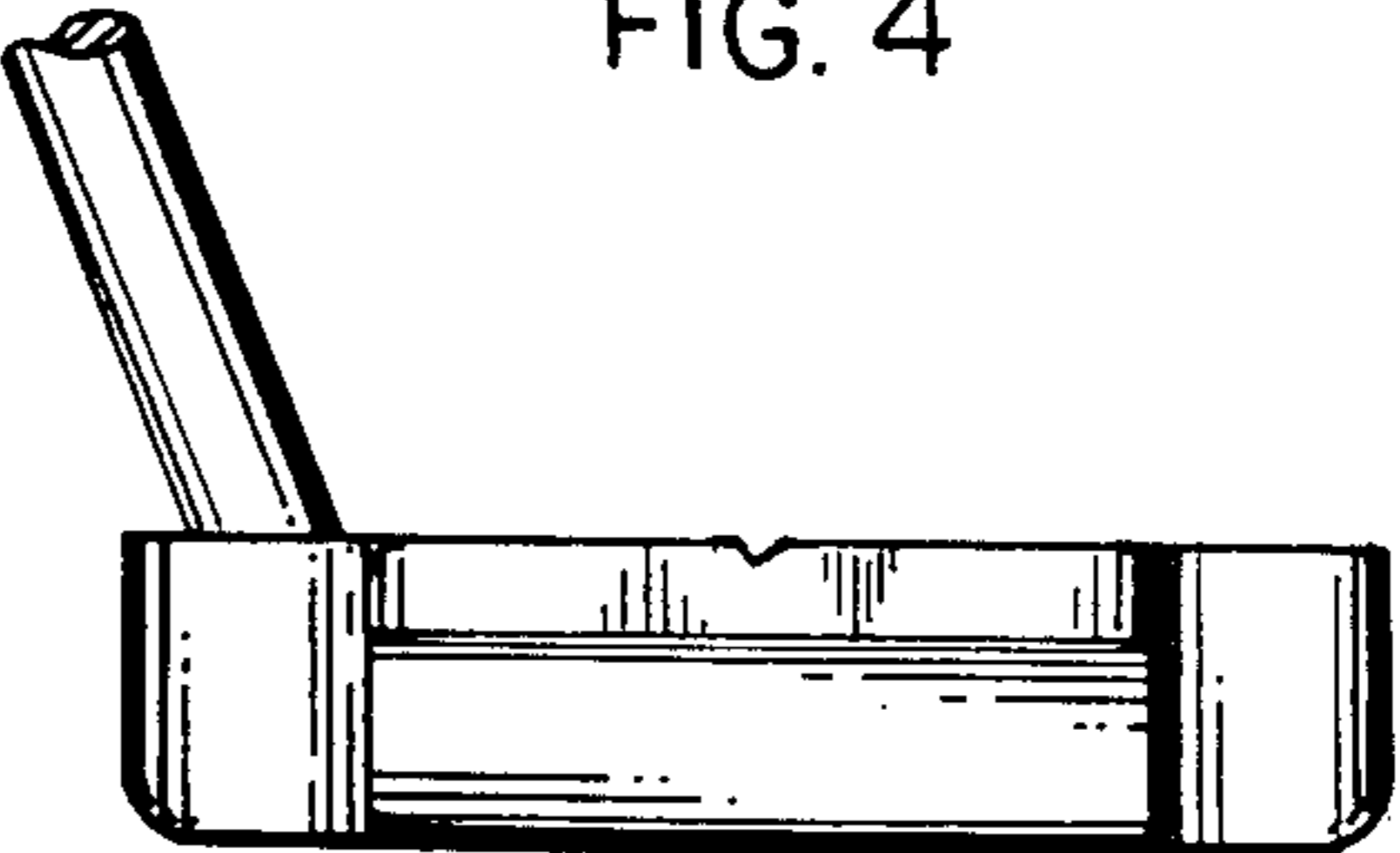


FIG. 5

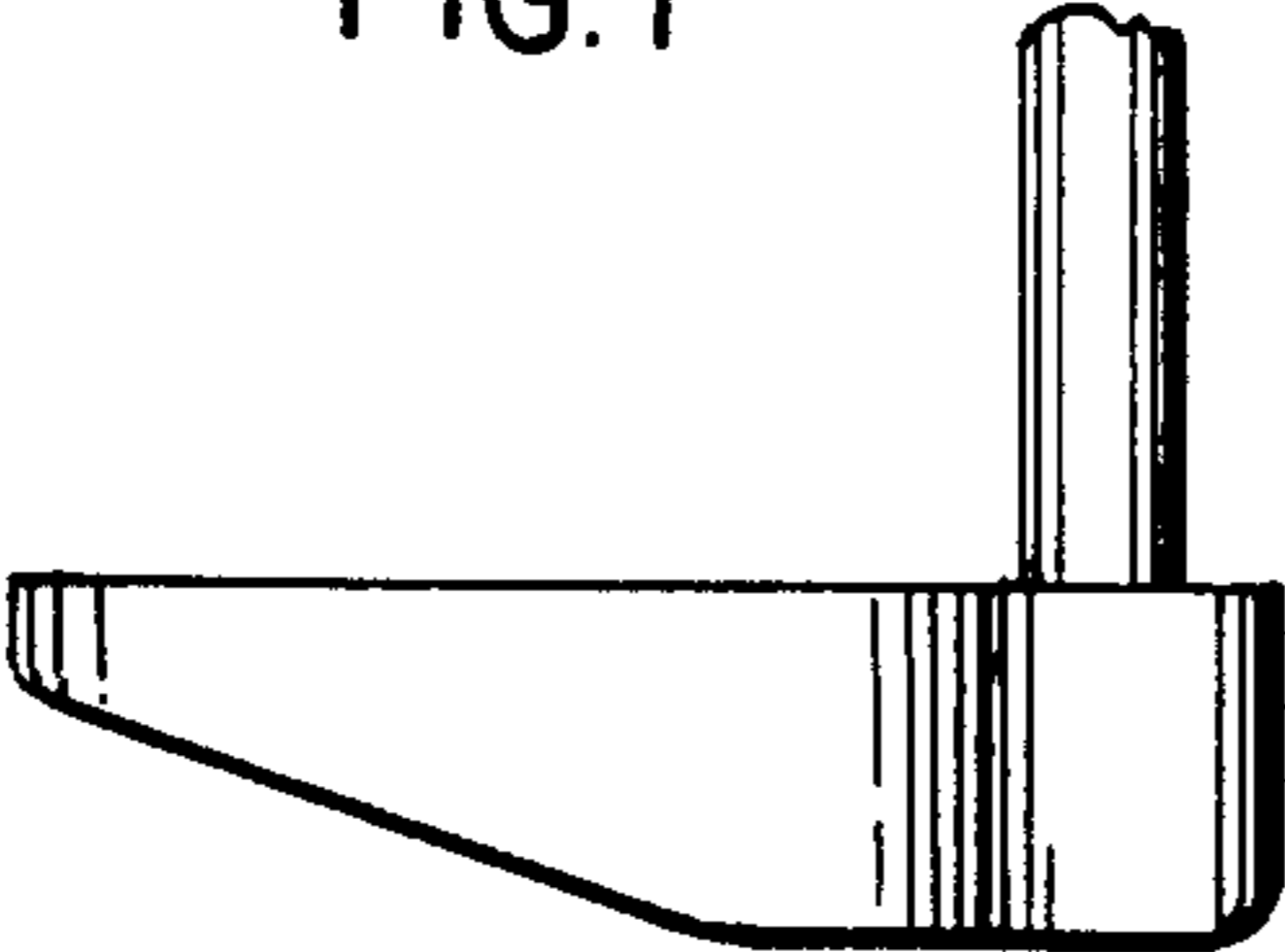


FIG. 6