

[54] ASH TRAY FOR AUTOMOBILE

[76] Inventor: Winford Bradley, 602 N. Pine St., Sebring, Fla. 33870

[**] Term: 14 Years

[21] Appl. No.: 560,146

[22] Filed: Mar. 20, 1975

[51] Int. Cl. D27-03

[52] U.S. Cl. D27/14

[58] Field of Search D27/8-10, D27/12-15, 25-27; D85/2 H, 2 J, 2 L; 131/170 R, 170 A, 171 R, 171 A, 231, 232, 235 R, 236, 238, 256; 211/87, 88; 248/208, 318; D7/70

[56] References Cited

U.S. PATENT DOCUMENTS

D. 226,623 4/1973 Shuford D7/70

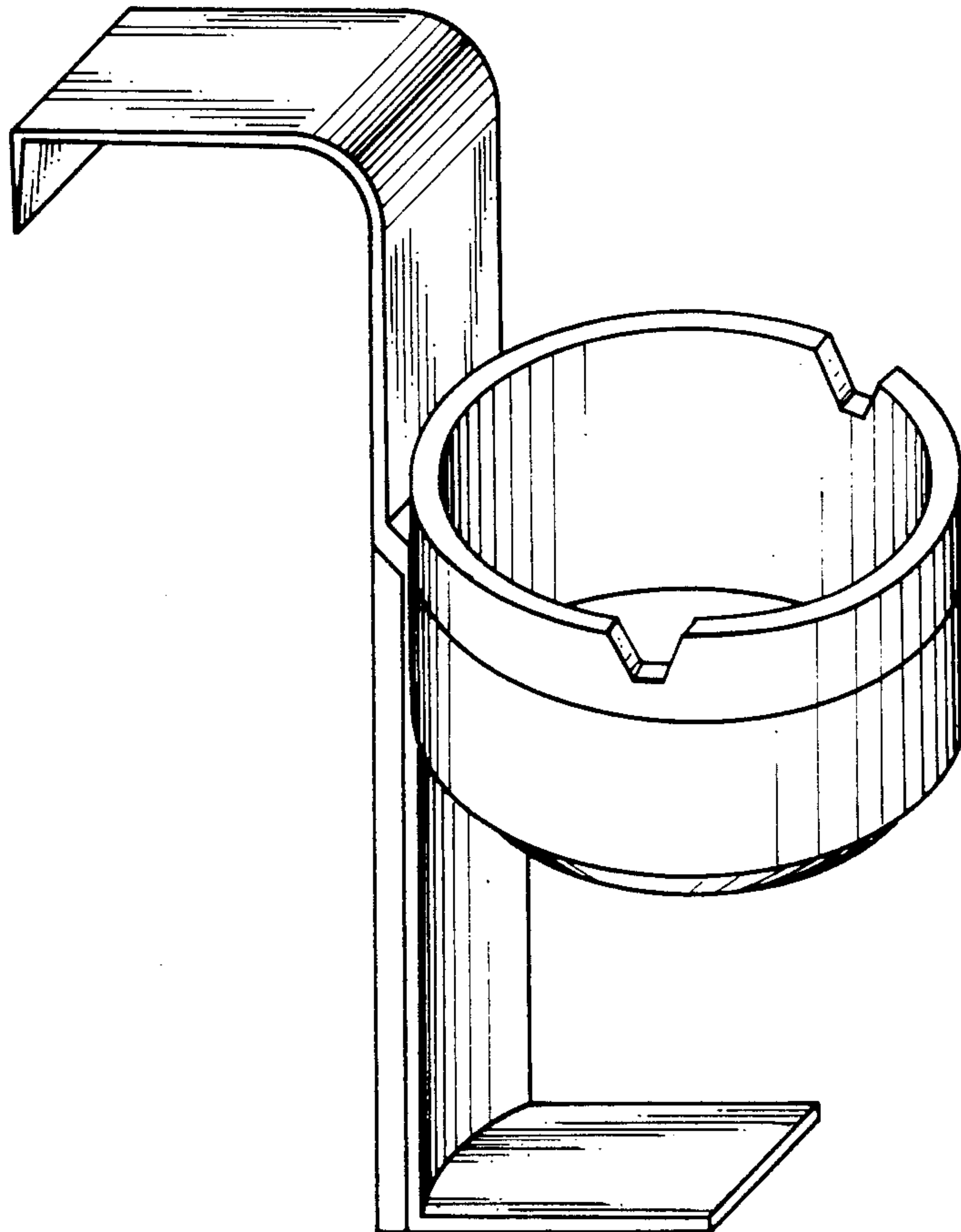
Primary Examiner—Joel Stearman
Assistant Examiner—Louis S. Zarfes
Attorney, Agent, or Firm—George B. Oujevolk

[57] CLAIM

The ornamental design for an ash tray for automobile, substantially as shown and described.

DESCRIPTION

FIG. 1 is a perspective view of an ash tray for automobile showing my new design;
FIG. 2 is a left side elevational view thereof;
FIG. 3 is a right side elevational view thereof;
FIG. 4 is a bottom plan view thereof; and,
FIG. 5 is a top plan view thereof.
The rear of the ashtray is unornamented.



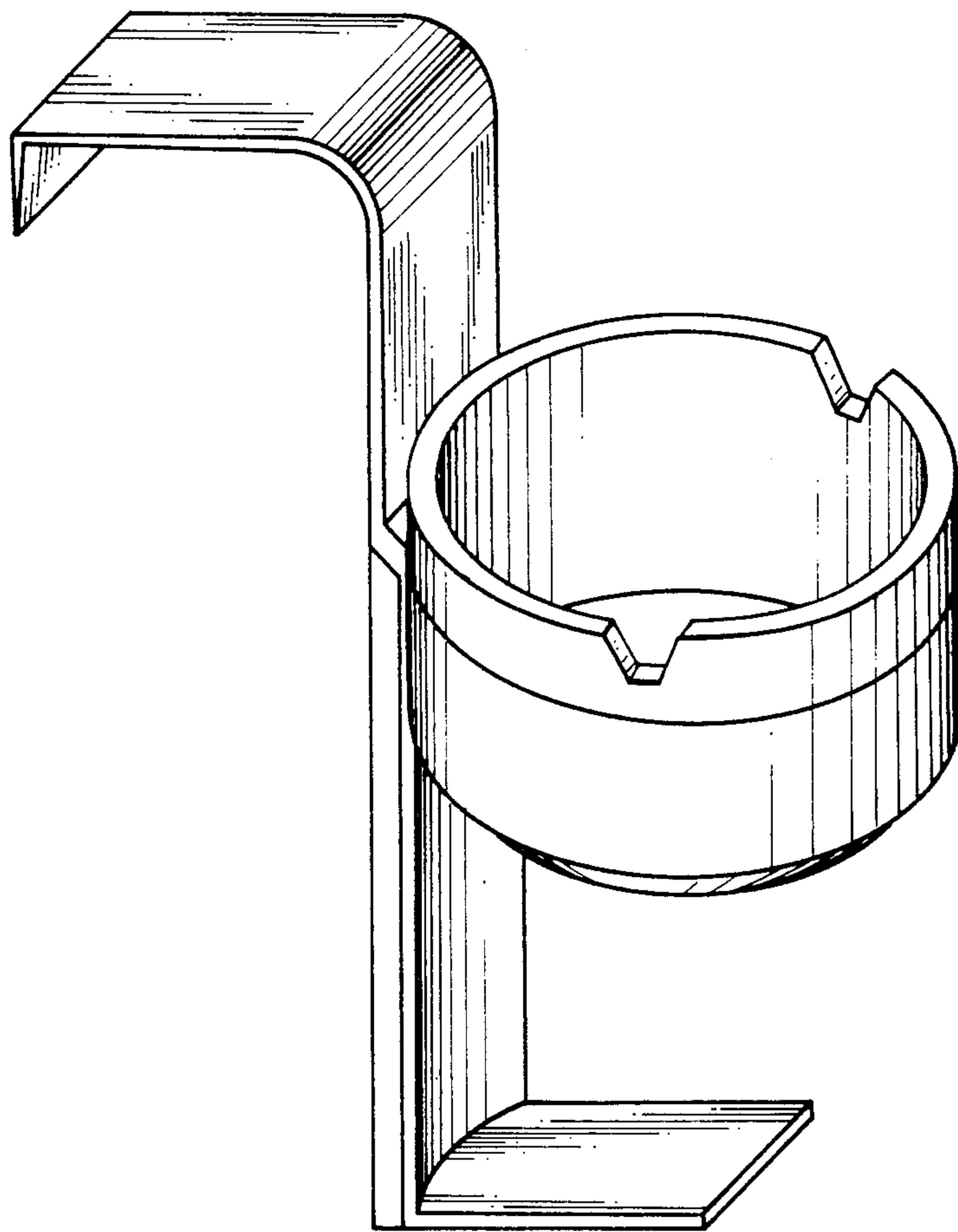


FIG. 1

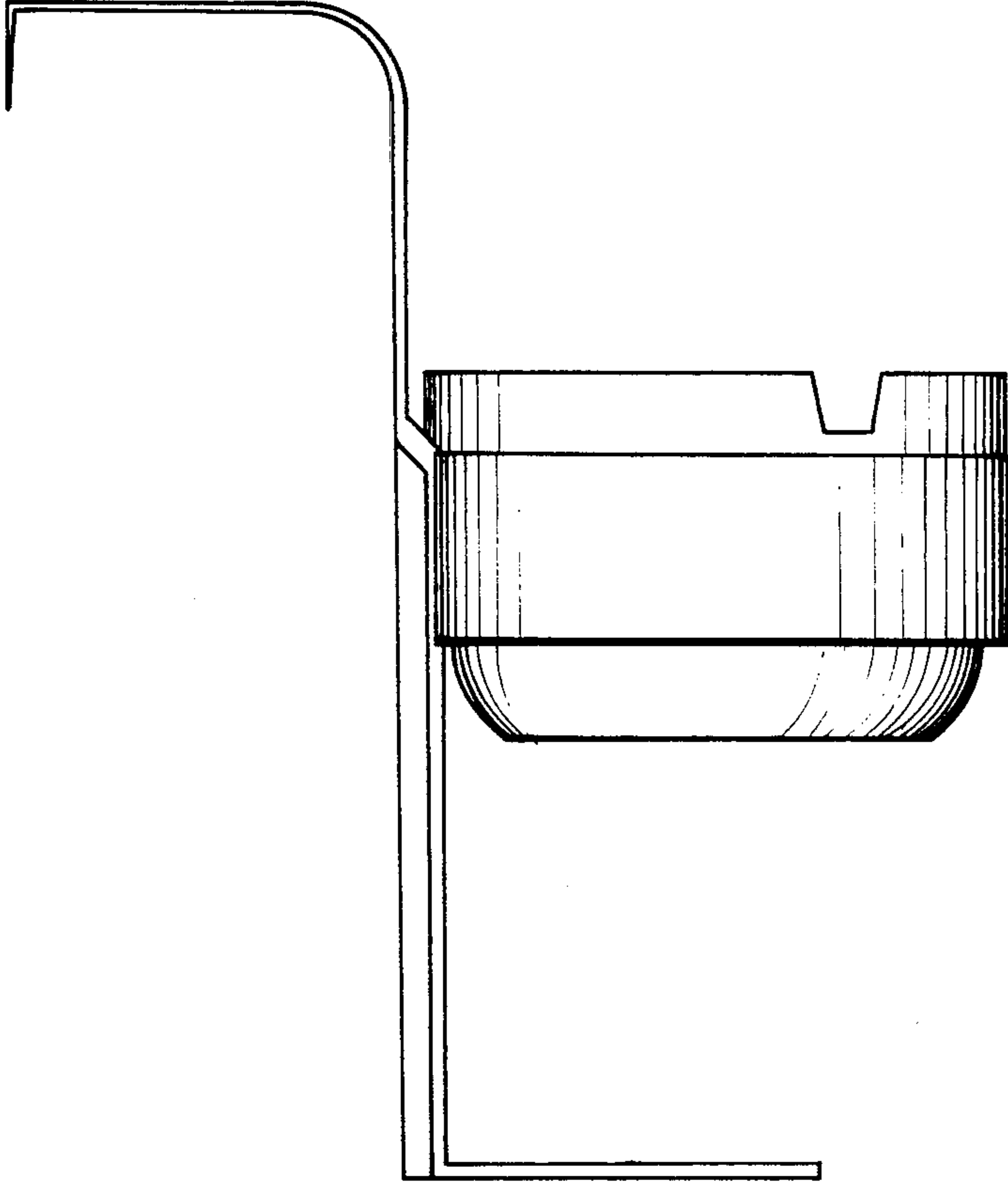


FIG. 2

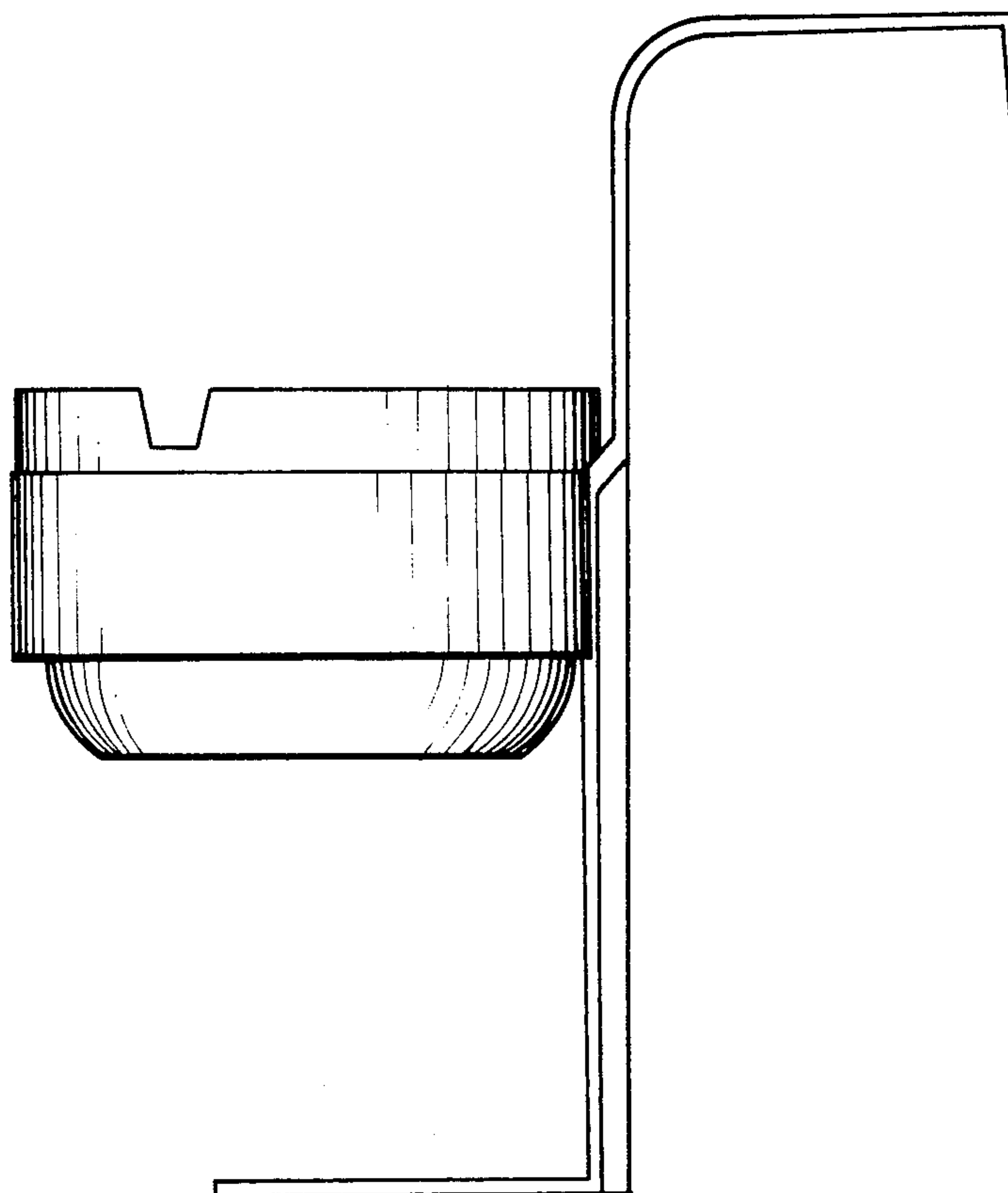


FIG. 3

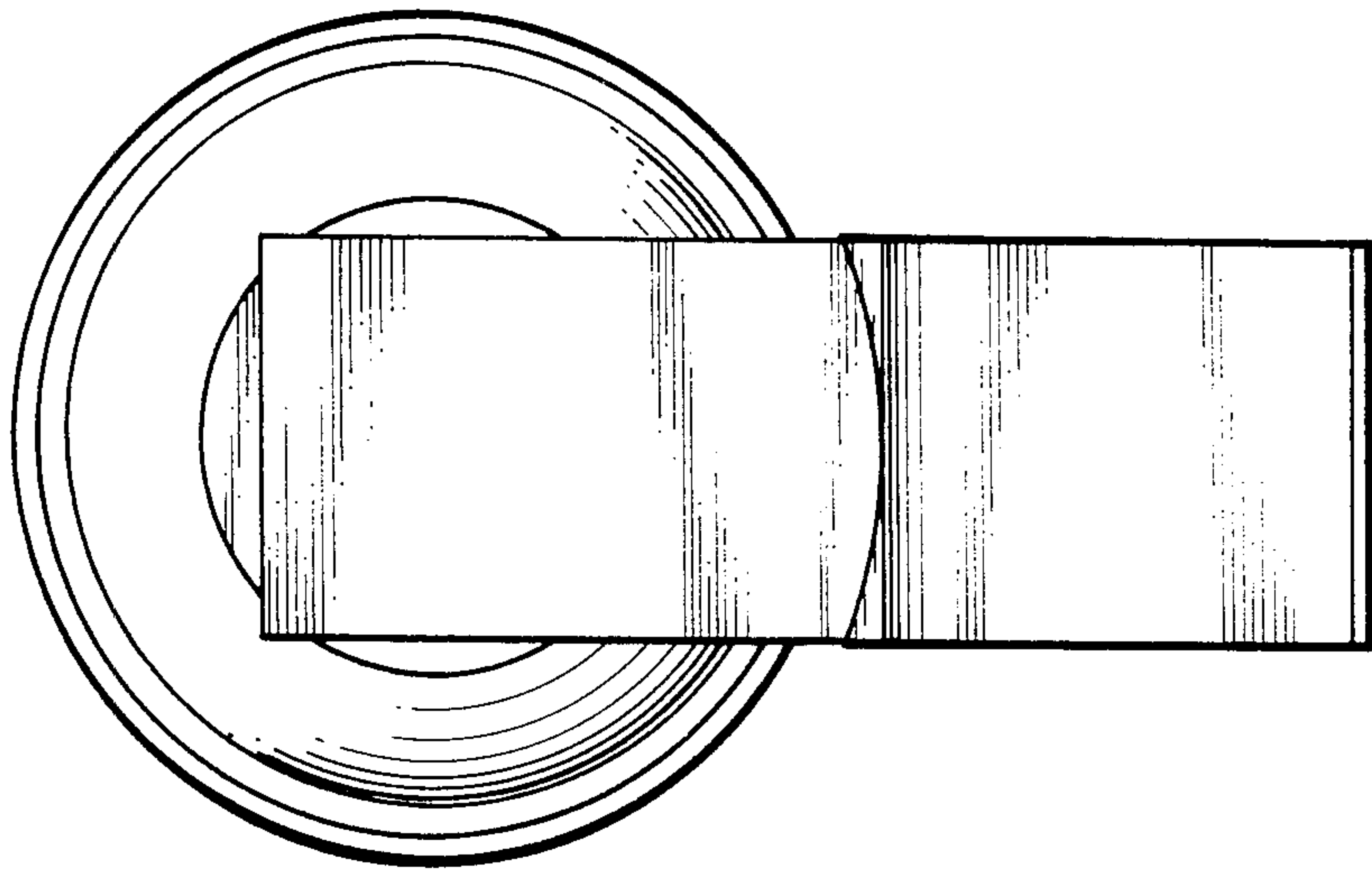


FIG. 4

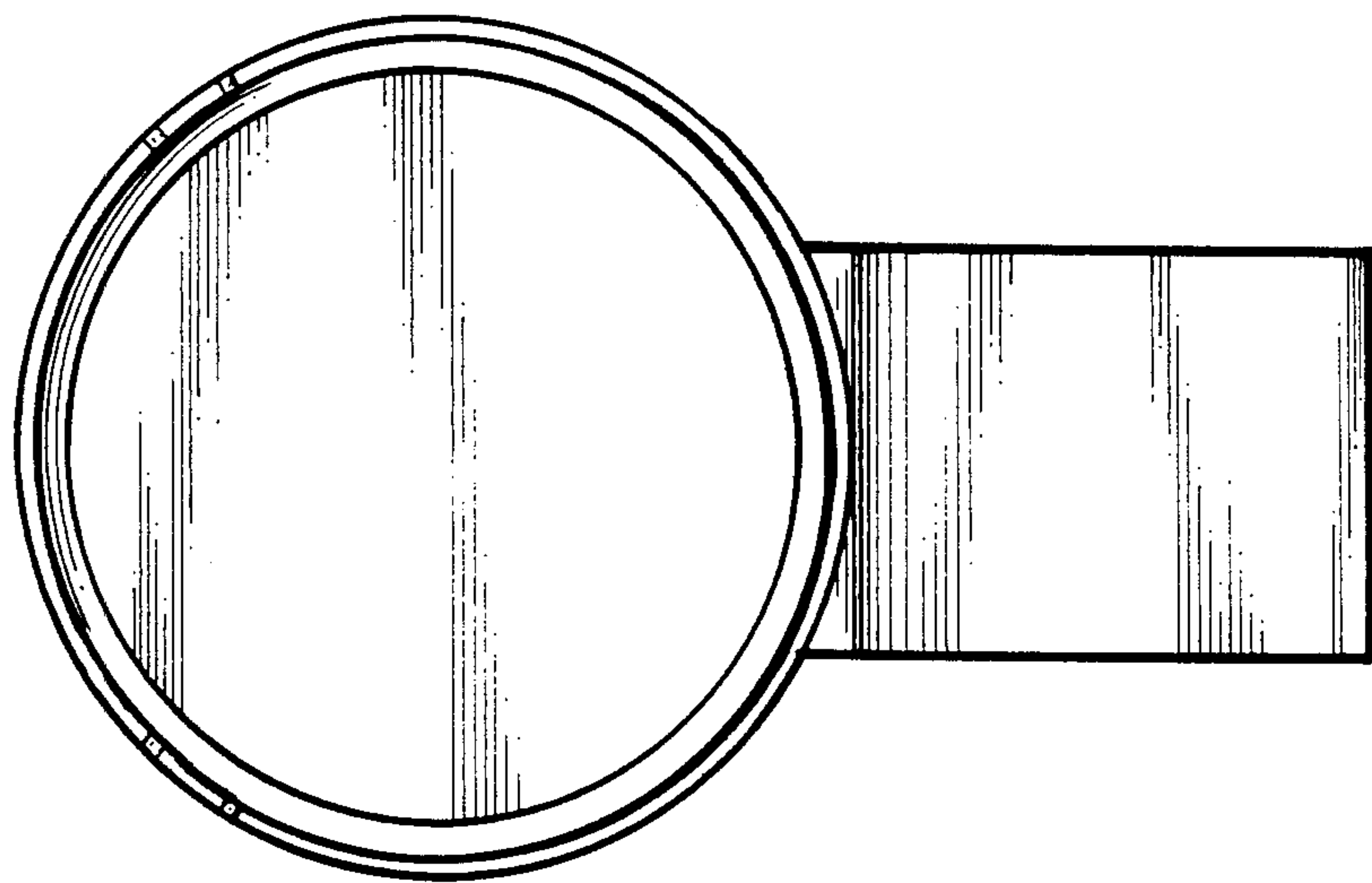


FIG. 5