

[54] HEADPHONE

[75] Inventor: Joseph C. Besasie, Shorewood, Wis.

[73] Assignee: Koss Corporation, Milwaukee, Wis.

[\*\*] Term: 7 Years

[21] Appl. No.: 694,980

[22] Filed: June 11, 1976

[51] Int. Cl. .... D14-03

[52] U.S. Cl. .... D14/36

[58] Field of Search ..... 179/182, 156; 181/129, 181/128, 137; D26/14 H

[56]

References Cited

U.S. PATENT DOCUMENTS

3,447,160	6/1969	Teder .....	179/156 R
3,454,964	7/1969	Brinkhoff .....	179/182 R
3,681,540	8/1972	Thomson .....	179/156 R
D. 218,103	7/1970	Kliewer .....	D26/14 H
D. 222,547	11/1971	Kantor .....	D26/14 H

Primary Examiner—Bernard Ansher  
Attorney, Agent, or Firm—Allan W. Leiser

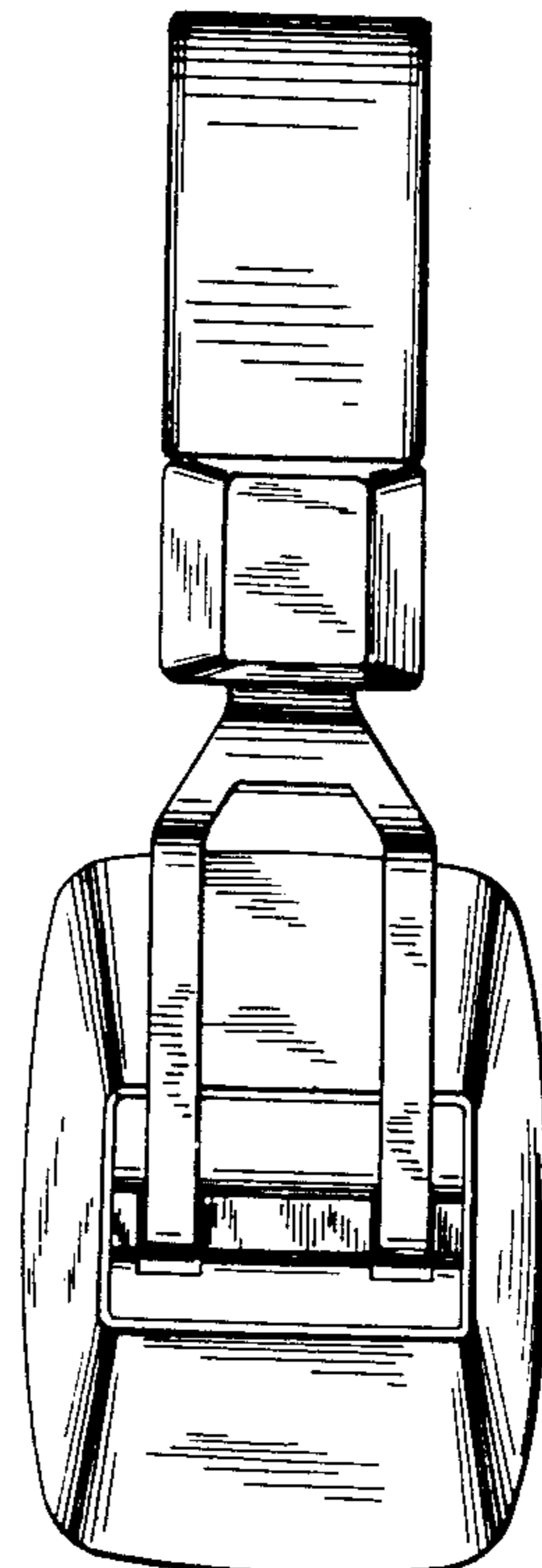
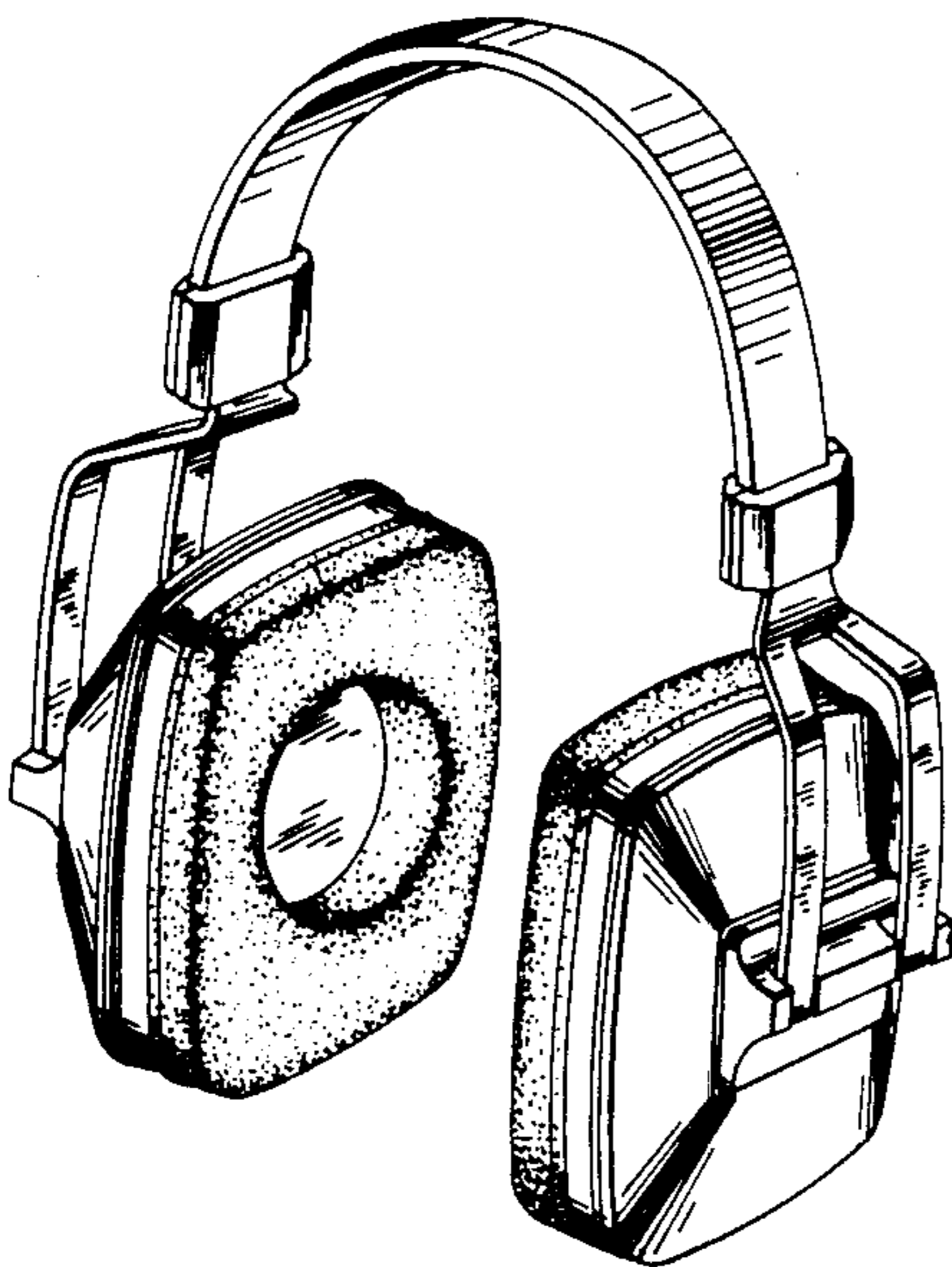
[57]

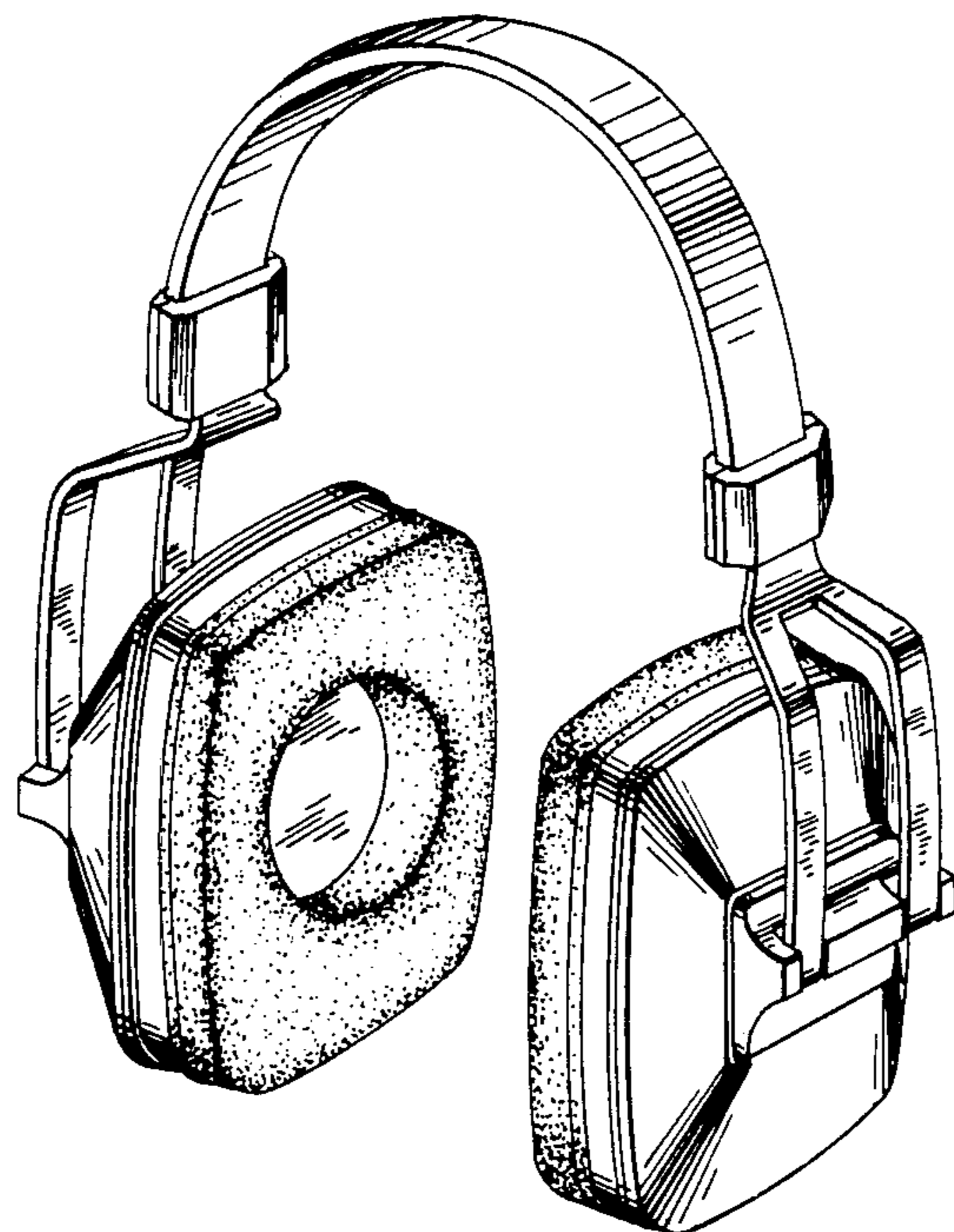
CLAIM

The ornamental design for a headphone, as shown.

DESCRIPTION

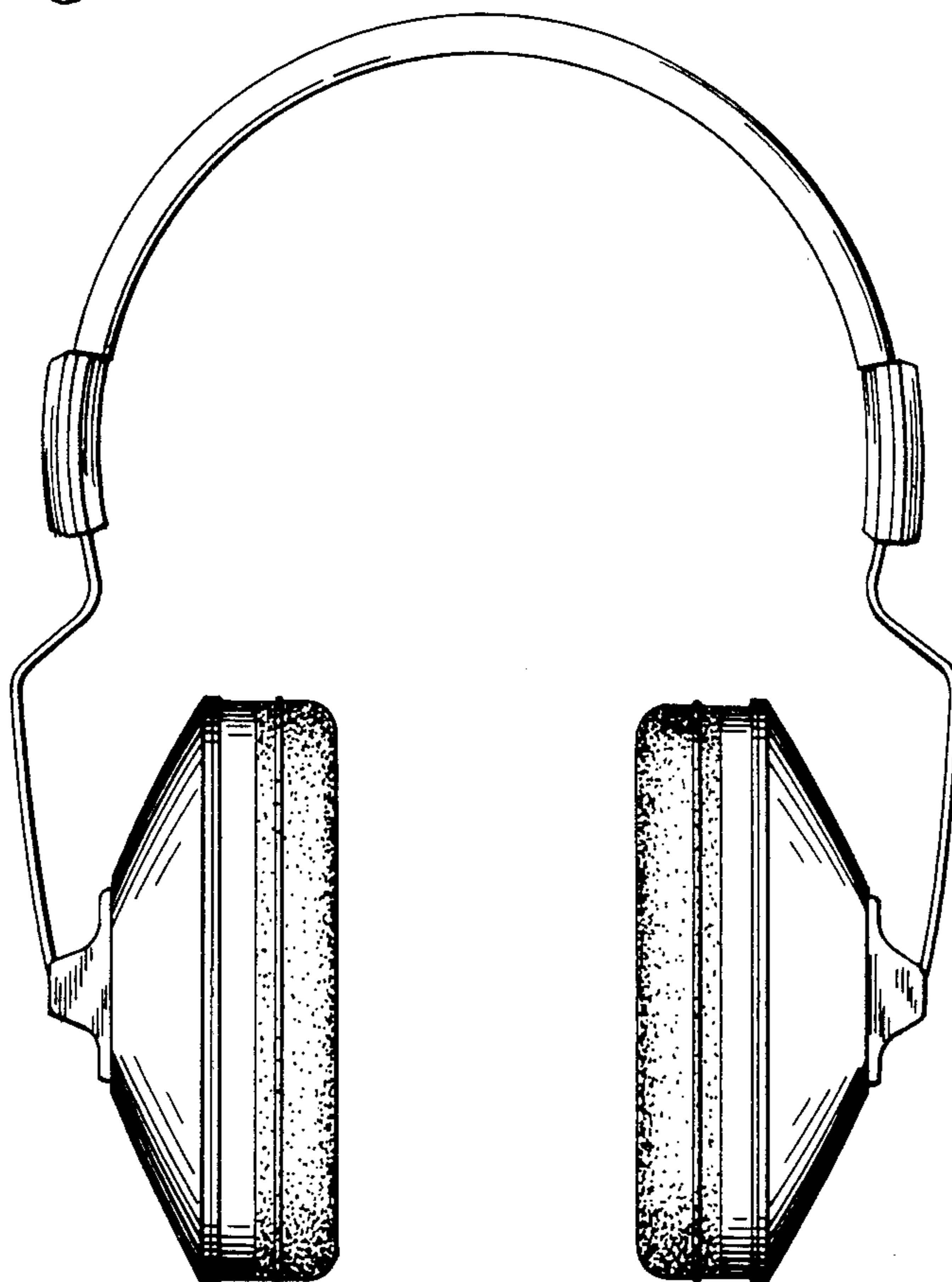
FIG. 1 is a perspective view of a headphone embodying my new design;  
FIG. 2 is a front elevational view thereof;  
FIG. 3 is a side elevational view thereof;  
FIG. 4 is a top plan view thereof; and  
FIG. 5 is a bottom plan view thereof.



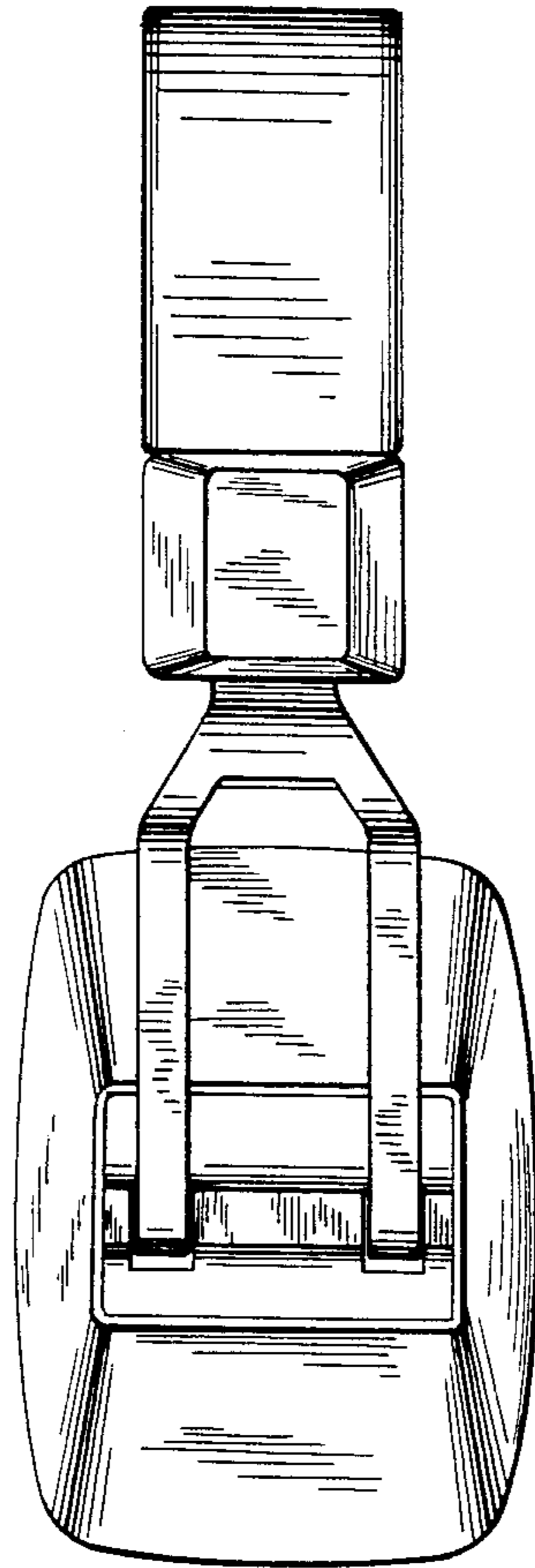


*Fig. 1*

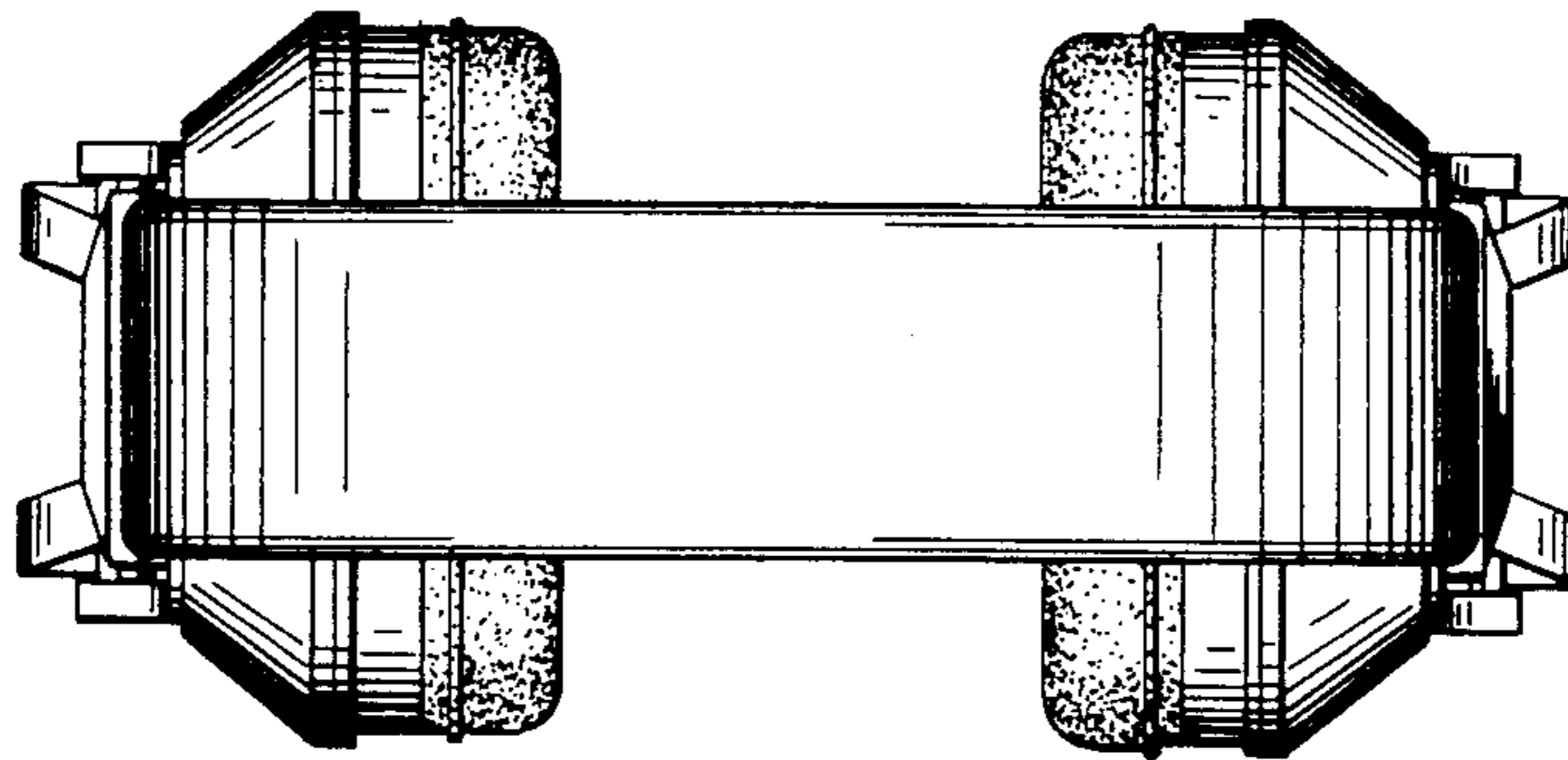
*Fig. 2*



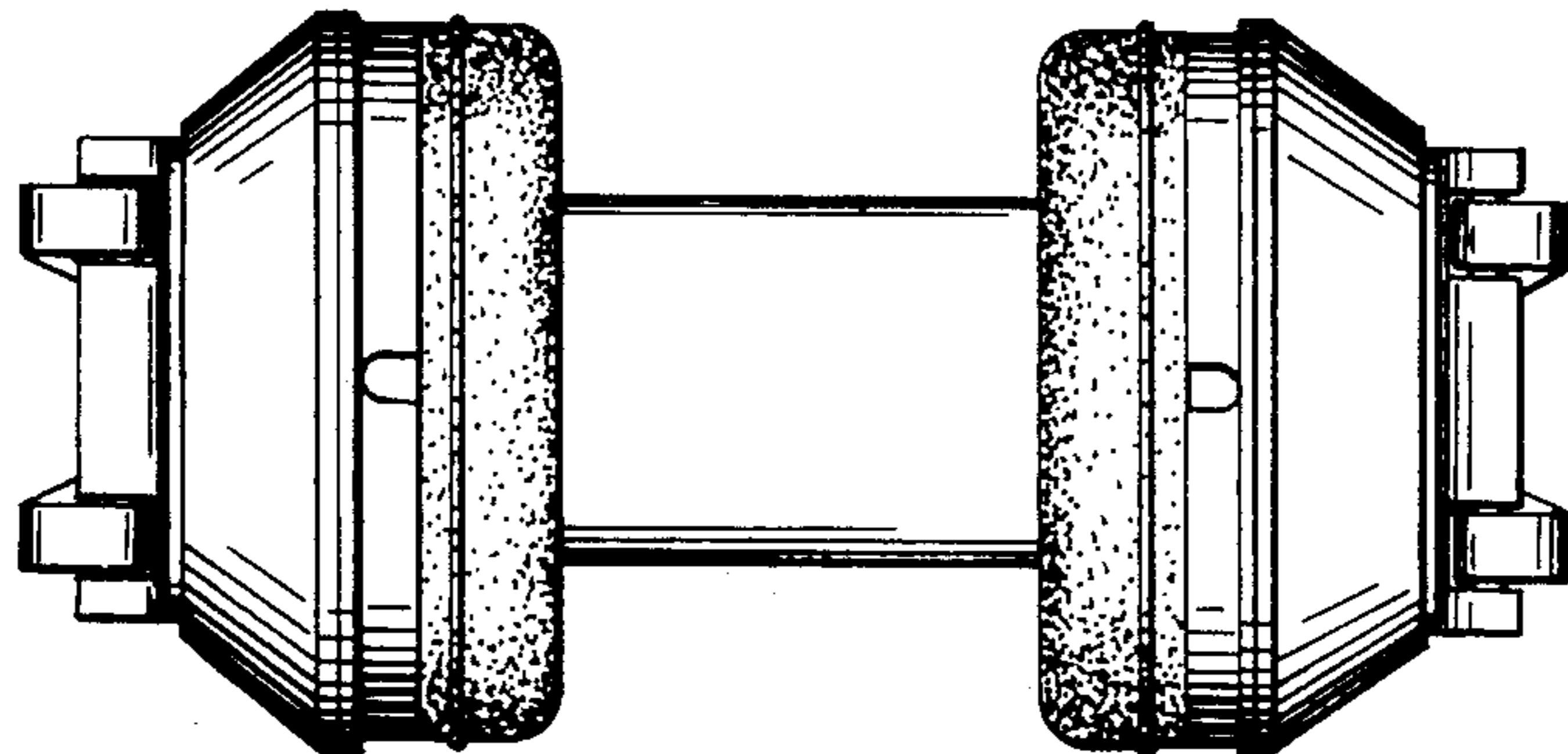
*Fig. 3*



*Fig. 4*



*Fig. 5*



UNITED STATES PATENT OFFICE  
CERTIFICATE OF CORRECTION

PATENT NO. : Des. 244,300  
DATED : May 10, 1977  
INVENTOR(S) : Joseph C. Besasie

It is certified that error appears in the above-identified patent and that said Letters Patent are hereby corrected as shown below:

Change "Term: 7 Years" to --Term: 14 Years"

**Signed and Sealed this**

*Twenty-fifth Day of October 1977*

[SEAL]

*Attest:*

**RUTH C. MASON**  
*Attesting Officer*

**LUTRELLE F. PARKER**  
*Acting Commissioner of Patents and Trademarks*