

[54] **BATHTUB**

[76] Inventor: **Louis H. Ridgeway, R.F.D. 1,**
Jonesville, S.C. 29353

[**] Term: **14 Years**

[21] Appl. No.: **697,053**

[22] Filed: **June 17, 1976**

[51] Int. Cl. **D23-02**

[52] U.S. Cl. **D23/55**

[58] Field of Search **D23/48-50,**
D23/55-57; 4/1-5, 10, 146, 148, 152-155,
172, 173, 178, 180

[56] **References Cited**

U.S. PATENT DOCUMENTS

1,445,243	2/1923	Spaleck	4/173
3,736,924	6/1973	Jacuzzi et al.	4/180 UX
D. 109,713	5/1938	Houston	D23/55

D. 143,204	12/1945	Fleischhauer	D23/55
D. 214,270	5/1969	Bonsack	D23/55
D. 226,607	4/1973	Lawrence	D23/55
D. 227,101	6/1973	Primault	D23/55
D. 229,180	11/1973	Mollerstedt	D23/55
D. 230,021	1/1974	Primault	D23/55

Primary Examiner—James R. Largen
Attorney, Agent, or Firm—Luke J. Wilburn, Jr.

[57] **CLAIM**

The ornamental design for a bathtub, as shown and described.

DESCRIPTION

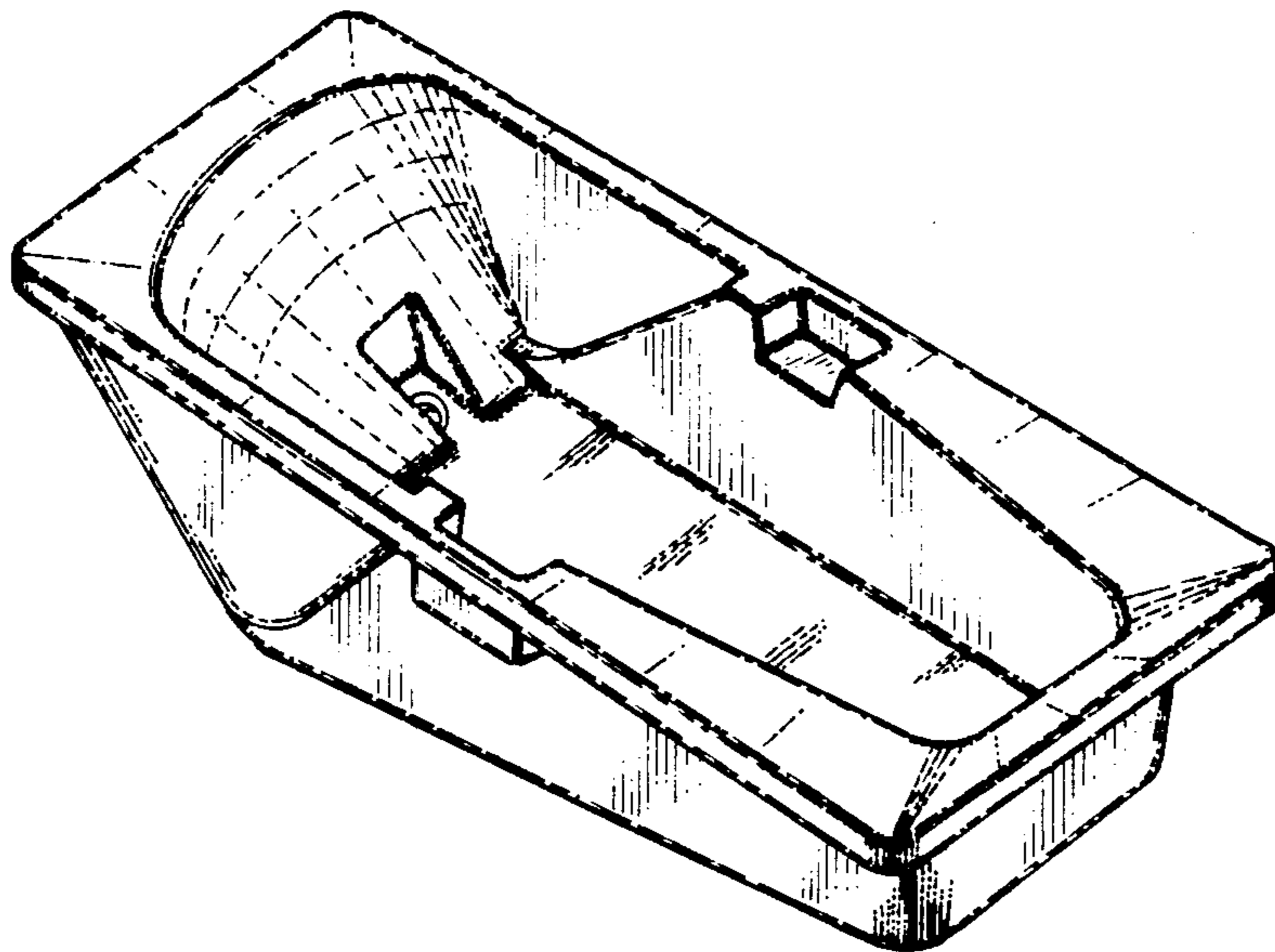
FIG. 1 is a top perspective view of a bathtub showing my new design.

FIG. 2 is a left end elevational view thereof.

FIG. 3 is a side elevational view thereof, the opposite side being a mirror image of the side shown.

FIG. 4 is a right end elevational view thereof.

FIG. 5 is a top plan view thereof.



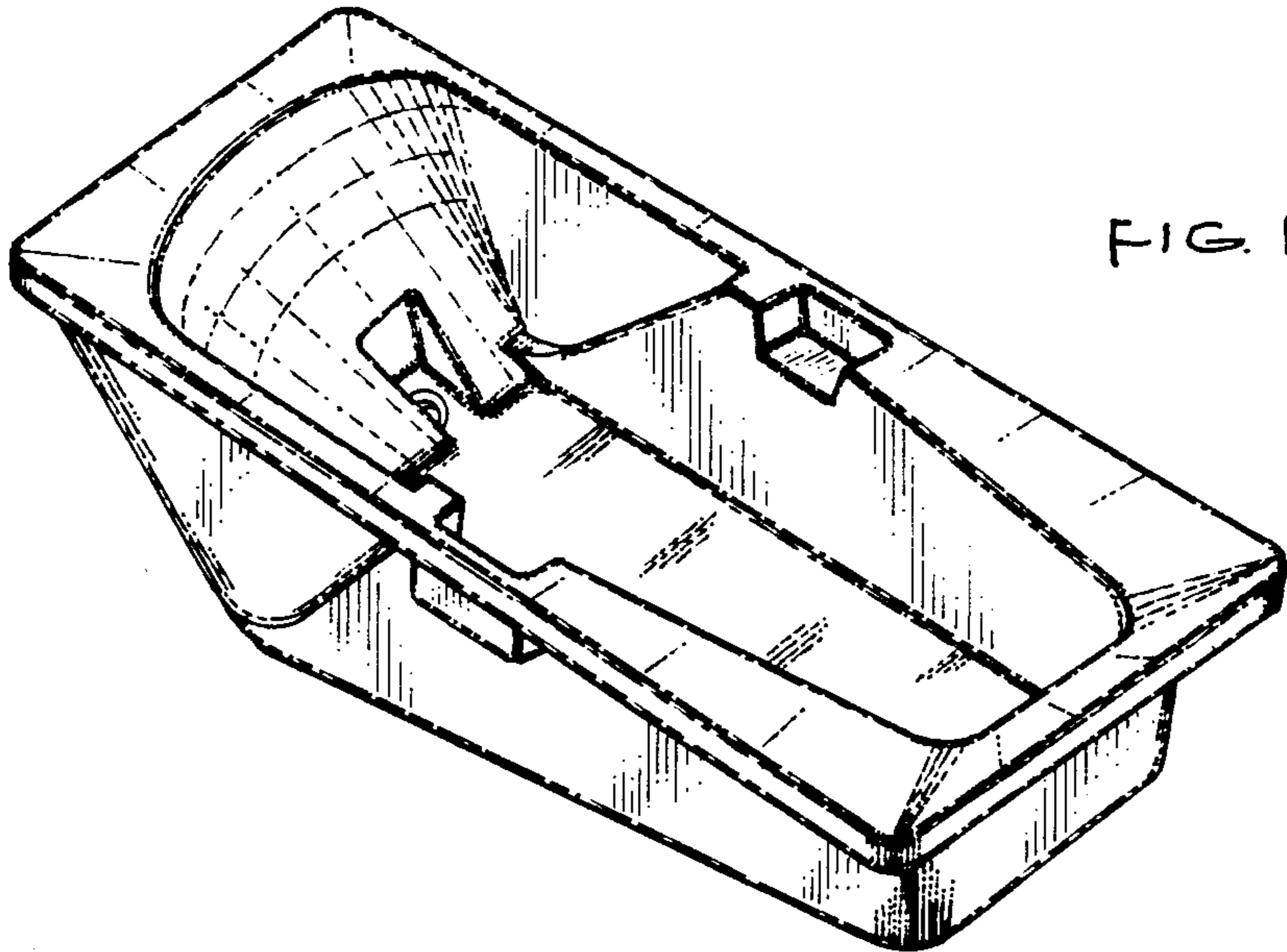


FIG. 1



FIG. 2

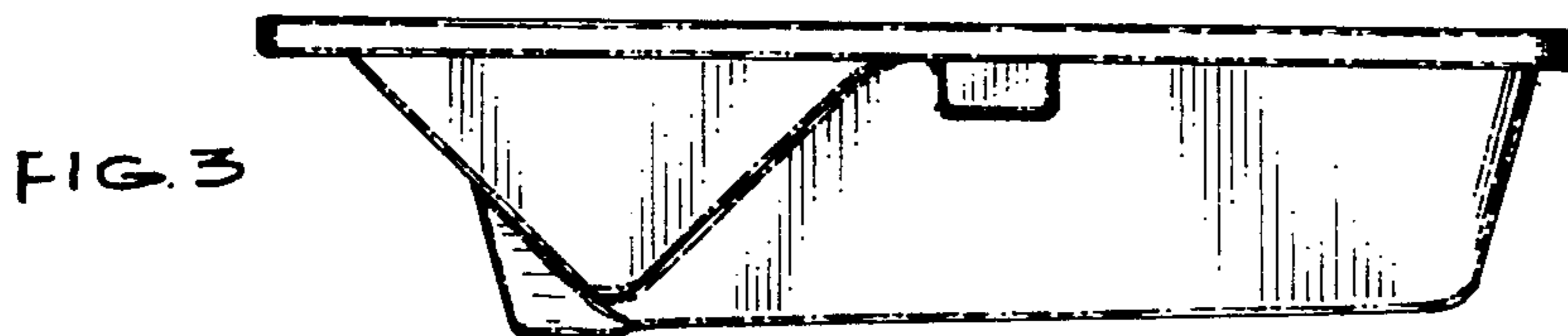


FIG. 3

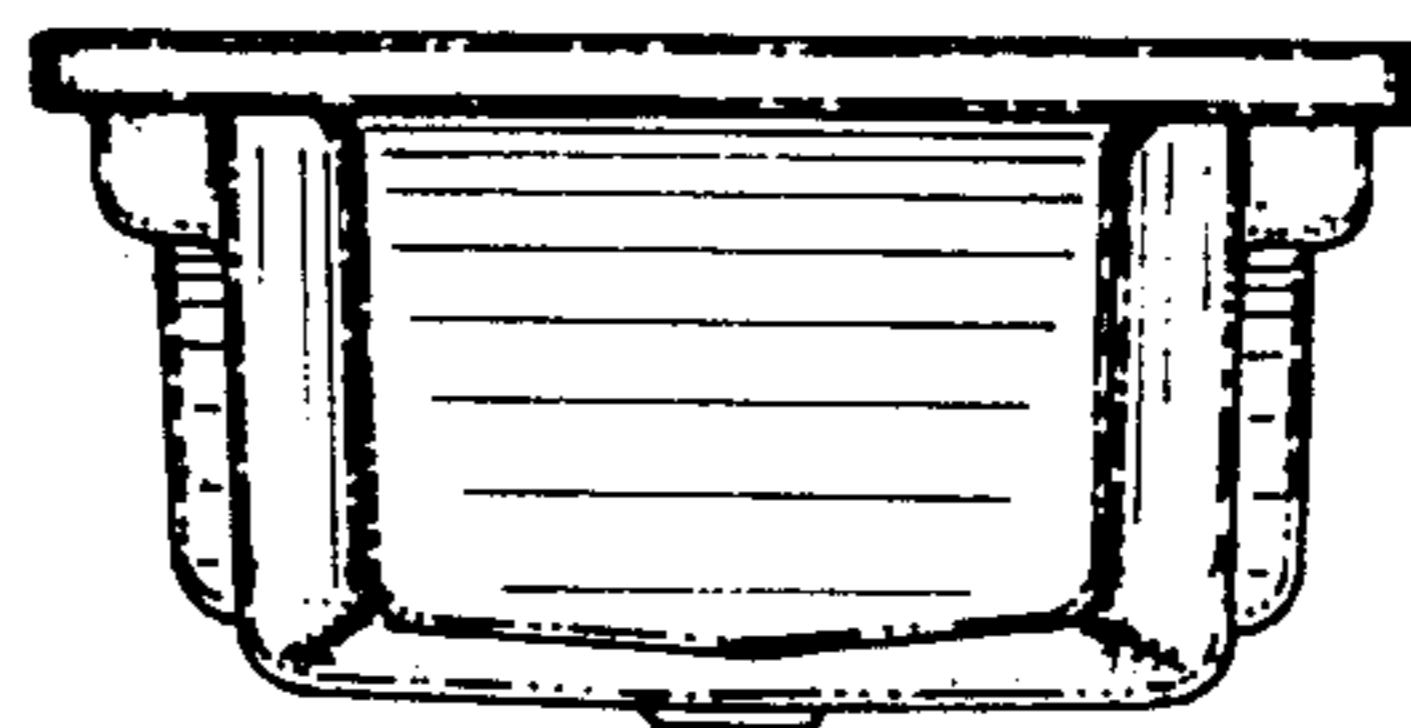


FIG. 4

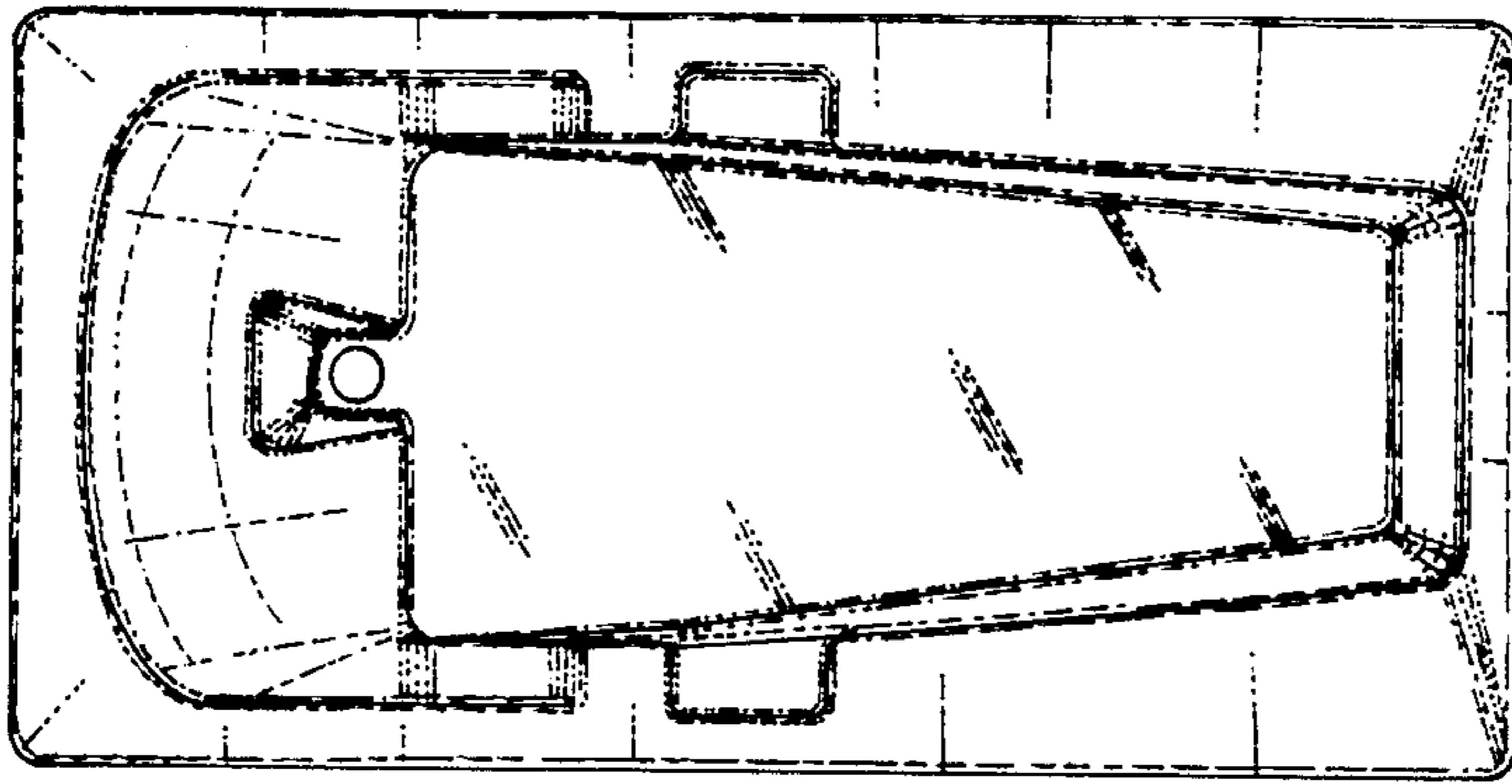


FIG. 5