

United States Patent [19]

[11] **Des. 244,285**

Sofinowski

[45]** **May 10, 1977**

- [54] **PUSHER FOLLOWER FOR CARTRIDGE MAGAZINES**
- [75] Inventor: **Jacob Sofinowski**, Baltimore County, Md.
- [73] Assignee: **AAI Corporation**, Cockeysville, Md.
- [**] Term: **14 Years**
- [21] Appl. No.: **645,591**
- [22] Filed: **Dec. 31, 1975**
- [51] Int. Cl. **D22-05**
- [52] U.S. Cl. **D22/7**
- [58] Field of Search **42/50; D22/7**

Attorney, Agent, or Firm—Reginald F. Pippin, Jr.

[57] **CLAIM**

The ornamental design for a pusher follower for cartridge magazines, substantially as shown.

DESCRIPTION

FIG. 1 is a bottom perspective view of a pusher follower for cartridge magazines according to the invention.

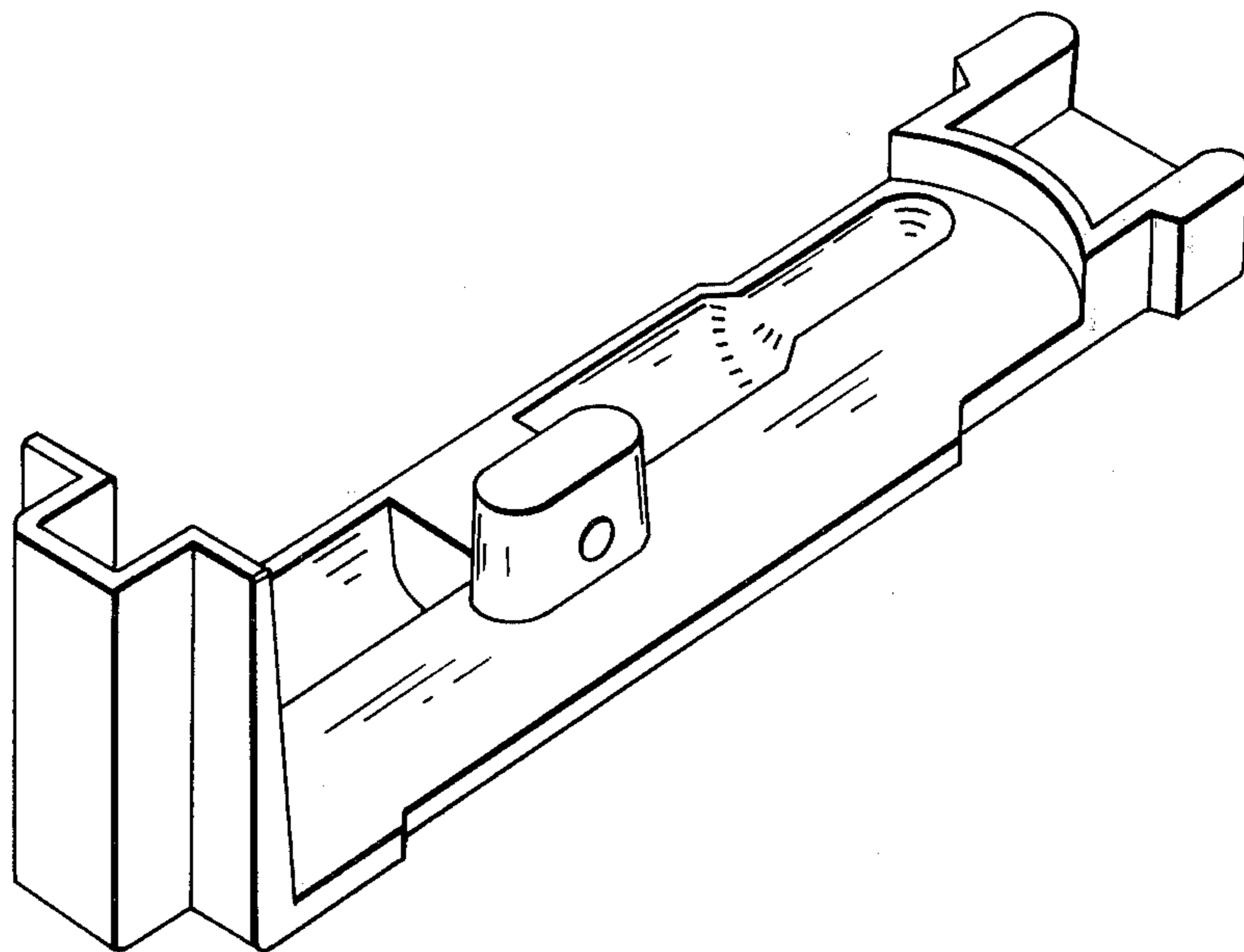
FIG. 2 is a top perspective view of the pusher follower of FIG. 1.

FIG. 3 is a bottom perspective view similar to that of FIG. 1 as viewed from the opposite end of the pusher follower.

FIGS. 4 and 5 are opposite end views of the pusher follower of FIG. 1.

FIGS. 6 and 7 are bottom and top plan views, respectively, of the pusher follower according to the invention.

- [56] **References Cited**
 - U.S. PATENT DOCUMENTS**
 - 3,905,142 9/1975 Haskell 42/50 X
- Primary Examiner*—William N. Wertman



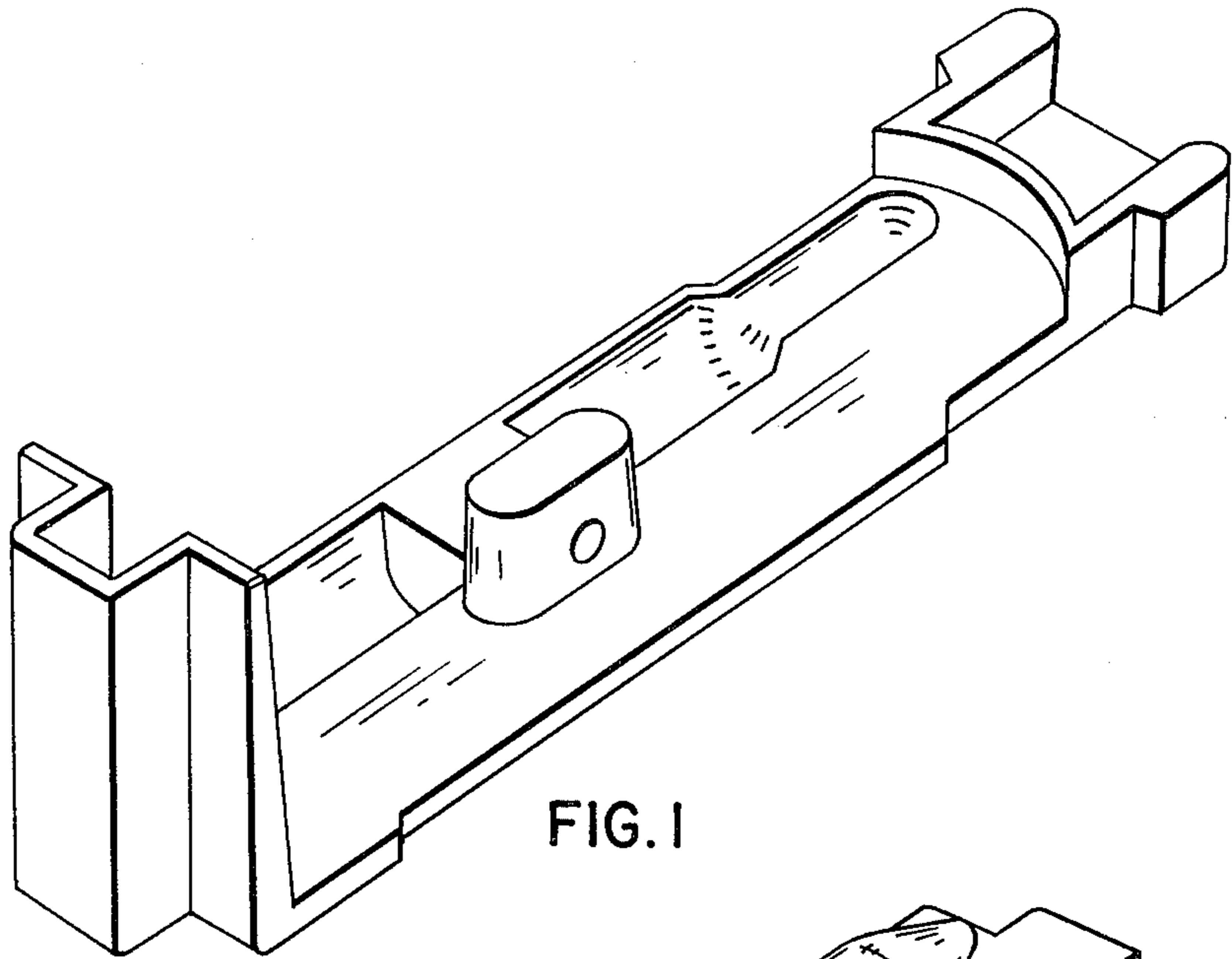


FIG. 1

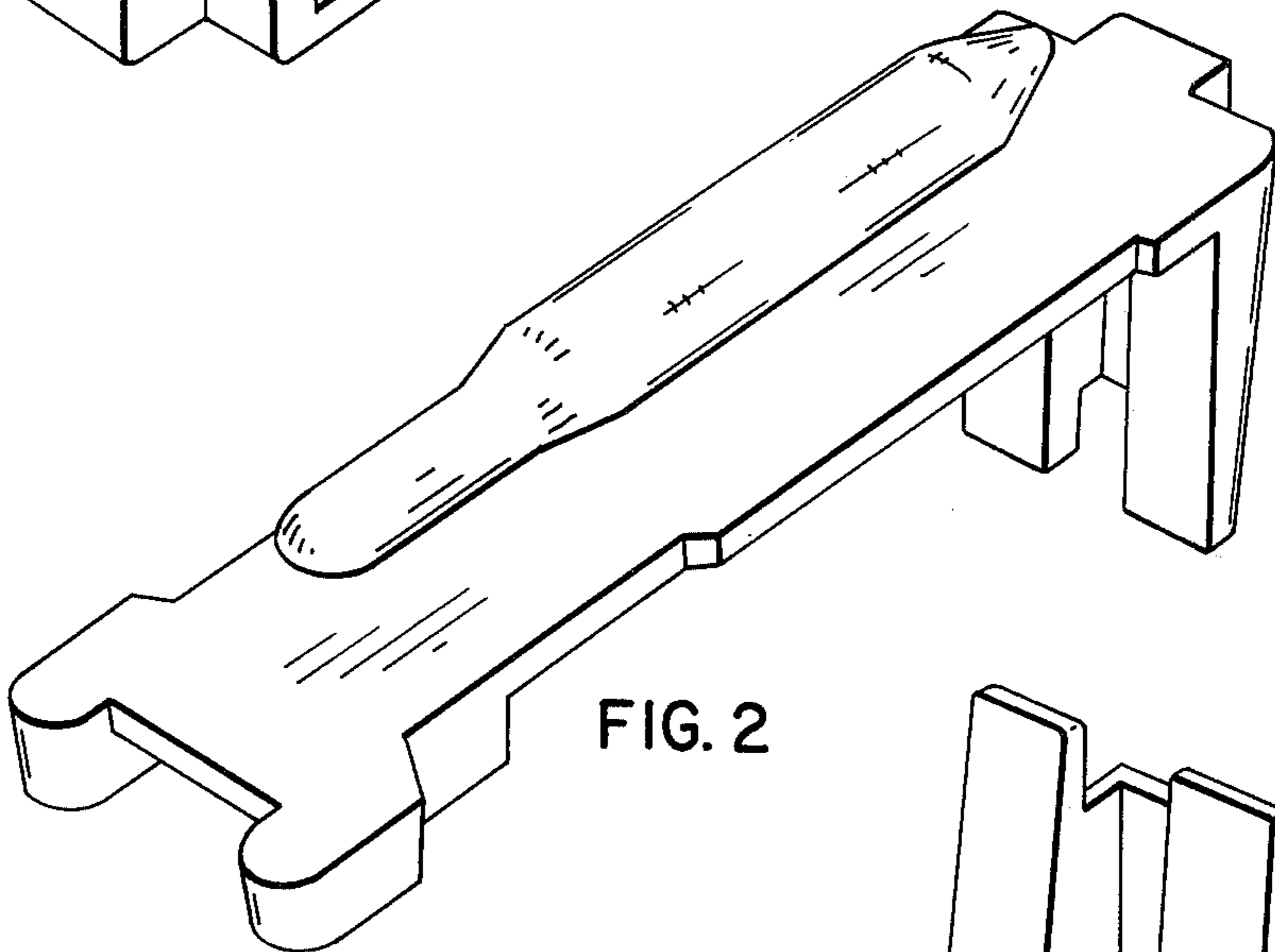


FIG. 2

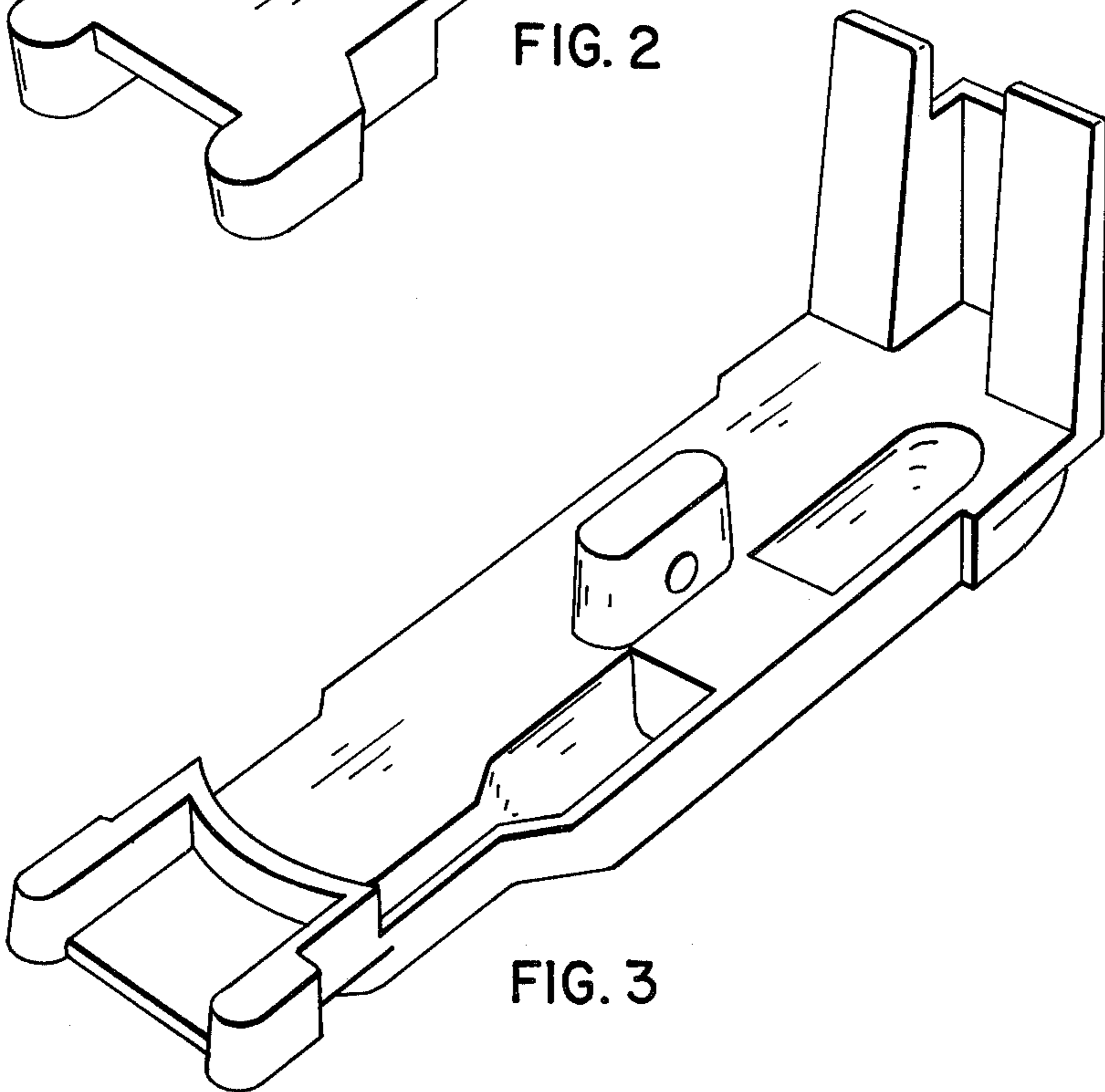


FIG. 3

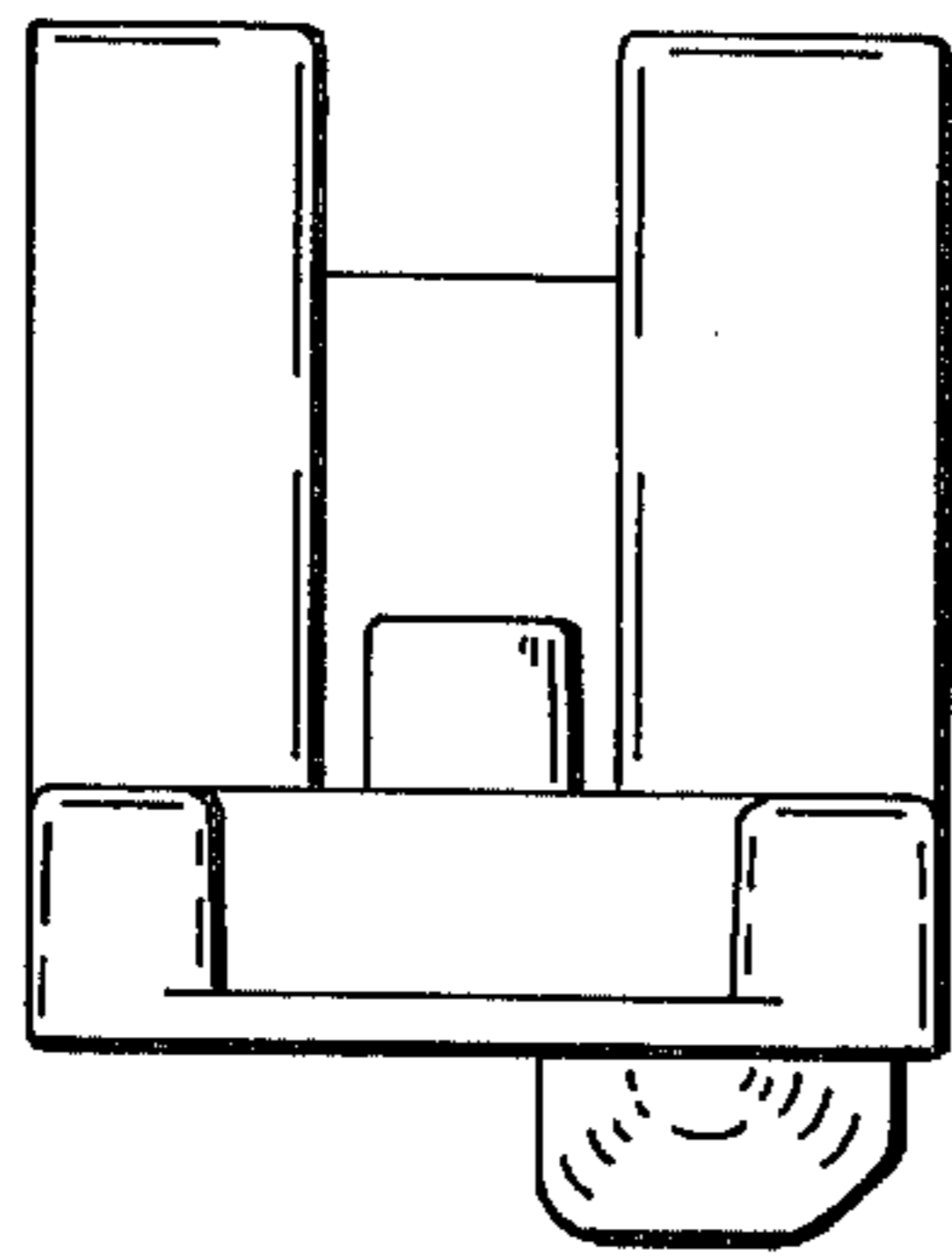


FIG. 4

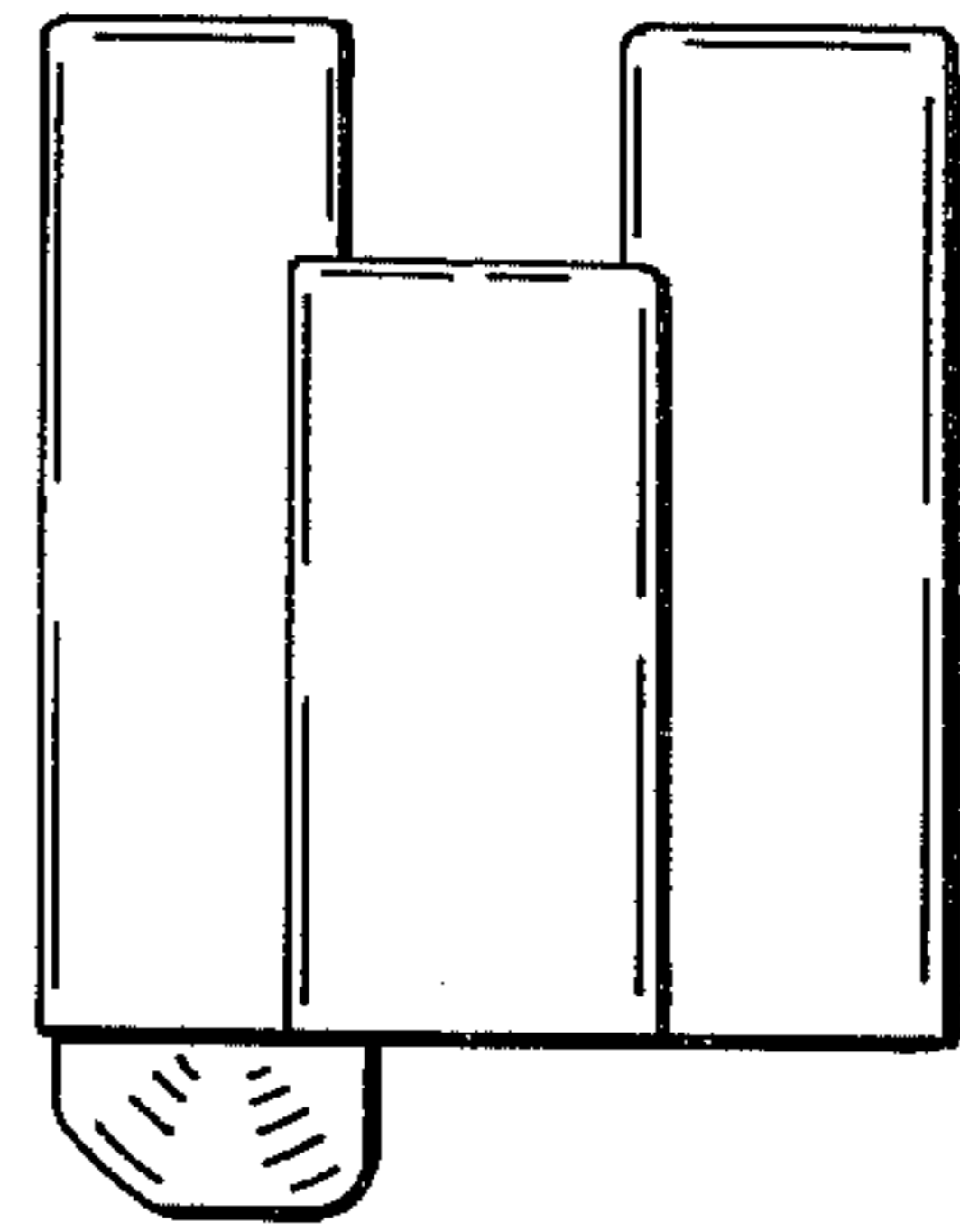


FIG. 5

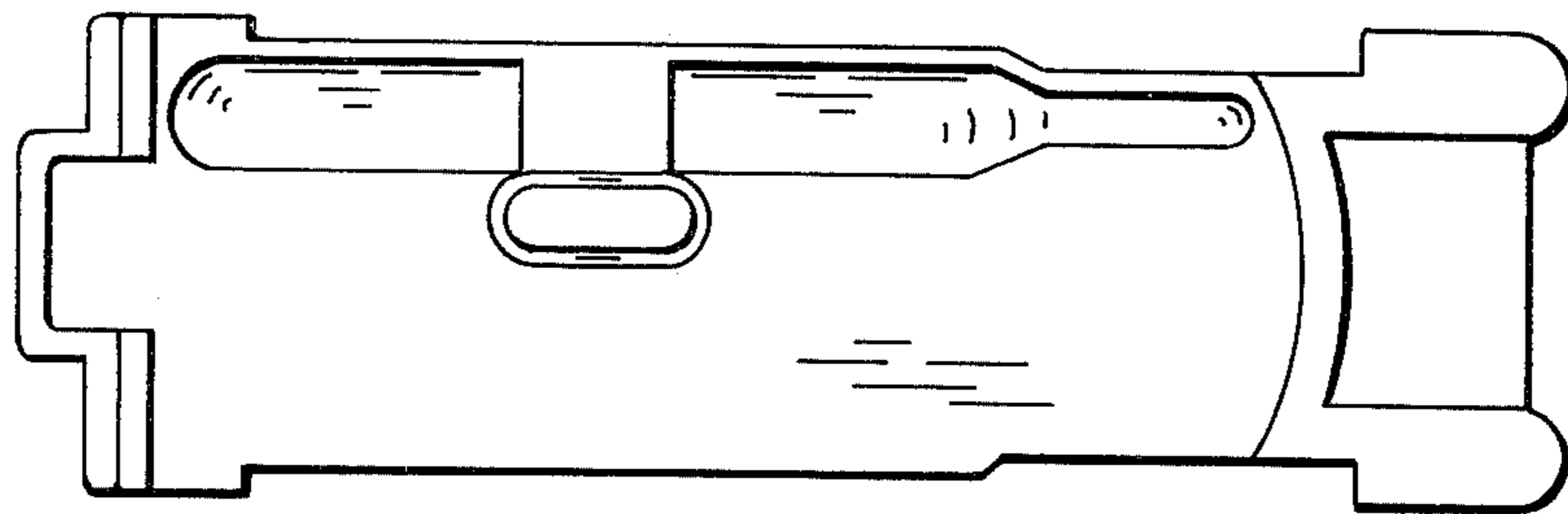


FIG. 6

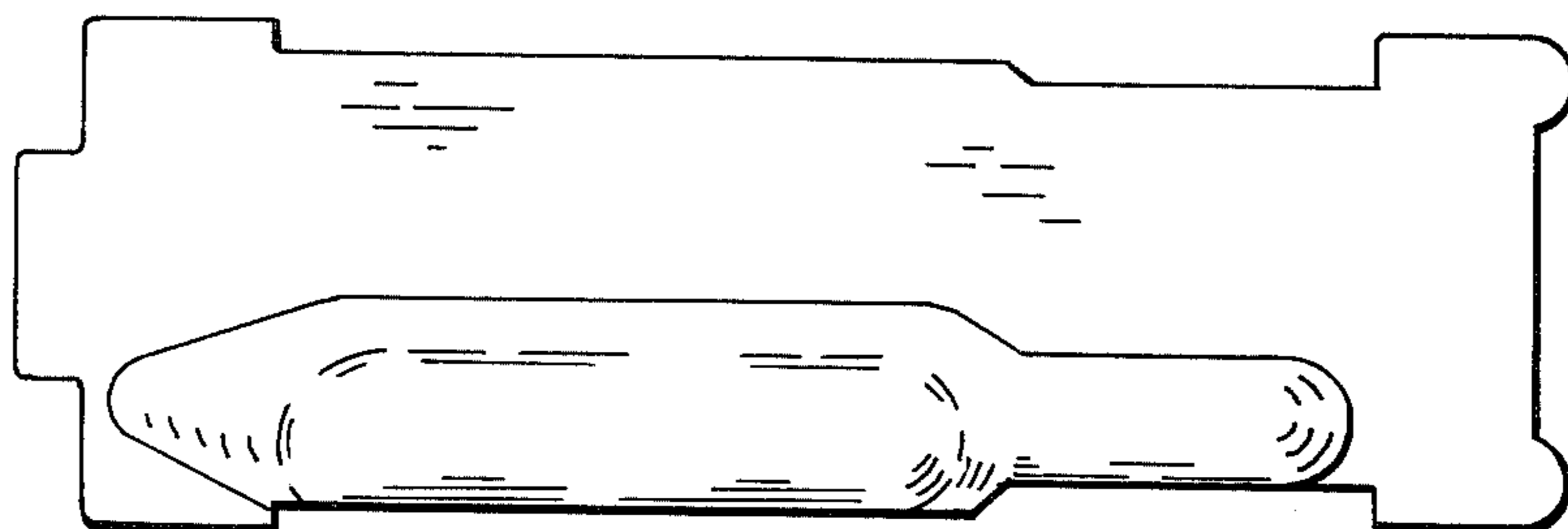


FIG. 7