

[54] DUST CATCHER FOR GRINDING OPERATIONS OR THE LIKE

[76] Inventor: Mesrop Der-Avanessian, 2020 Sunset Blvd., Los Angeles, Calif. 90036

[**] Term: 14 Years

[21] Appl. No.: 673,281

[22] Filed: Apr. 2, 1976

Related U.S. Application Data

[63] Continuation-in-part of Ser. No. 644,536, Dec. 29, 1975.

[51] Int. Cl. D15-09

[52] U.S. Cl. D15/126

[58] Field of Search D37/1 R; 51/270, 268

[56] References Cited

U.S. PATENT DOCUMENTS

- 1,393,892 10/1921 Luden 51/270
- 2,059,039 10/1936 Sandman 51/270
- D. 233,164 10/1974 Hominick D15/126

FOREIGN PATENT DOCUMENTS

480,516 5/1953 Italy 51/270

Primary Examiner—Alan P. Douglas
Attorney, Agent, or Firm—John D. Bauersfeld

[57] CLAIM

The ornamental design for a dust catcher for grinding operations or the like, substantially as shown and described.

DESCRIPTION

FIG. 1 is a perspective view from one side of a dust catcher embodying my new design;
 FIG. 2 is a sign elevational view thereof, viewed from the opposite side of FIG. 1;
 FIG. 3 is a top plan view thereof;
 FIG. 4 is a bottom plan view thereof;
 FIG. 5 is a perspective view from one side of a second embodiment of a dust catcher embodying my new design;
 FIG. 6 is a side elevational view of the embodiment of FIG. 5, and viewed from the opposite side of FIG. 5;
 FIG. 7 is a top plan view of the embodiment of FIG. 5;
 FIG. 8 is a bottom plan view of the embodiment of FIG. 5.

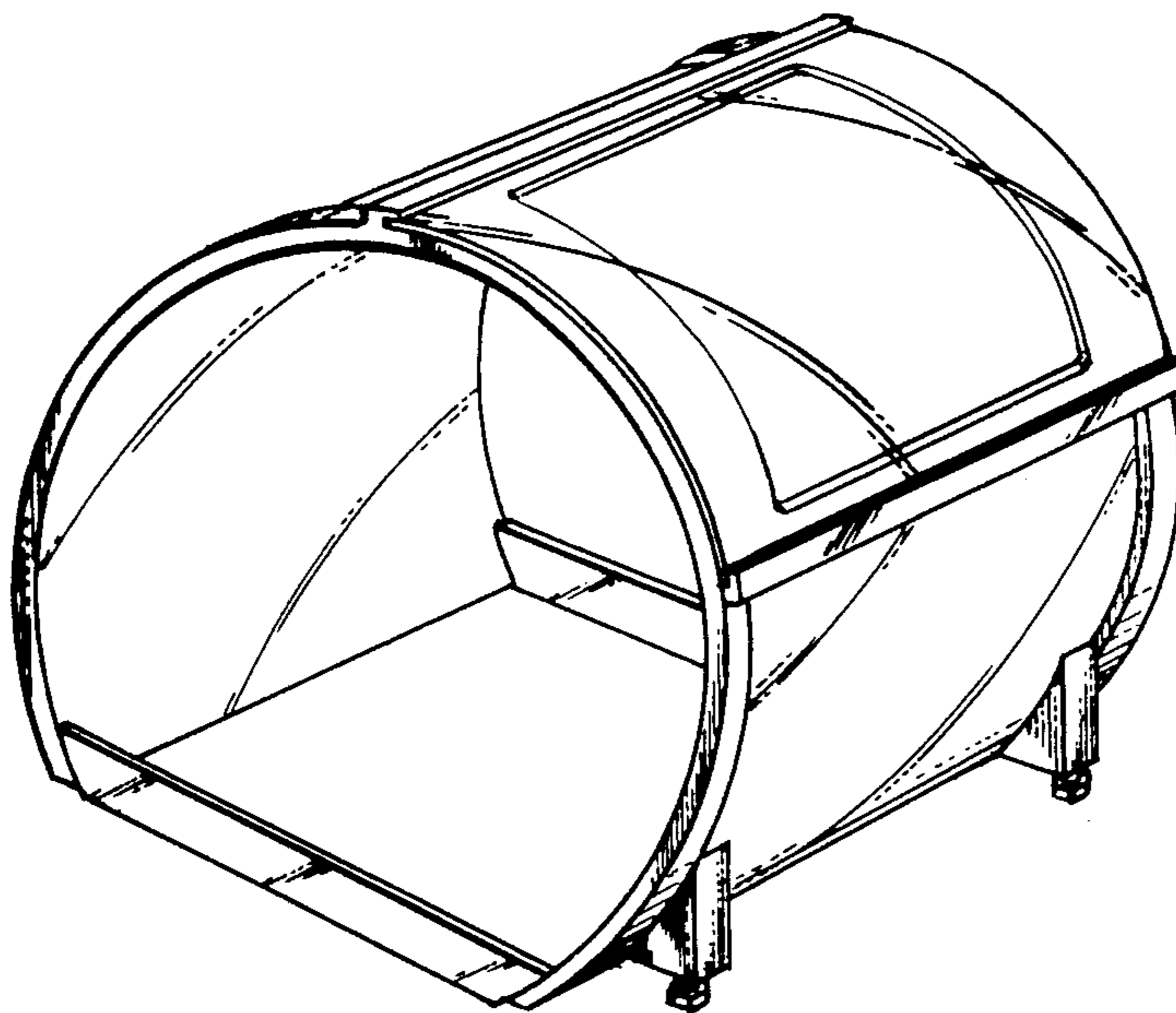


Fig. 1

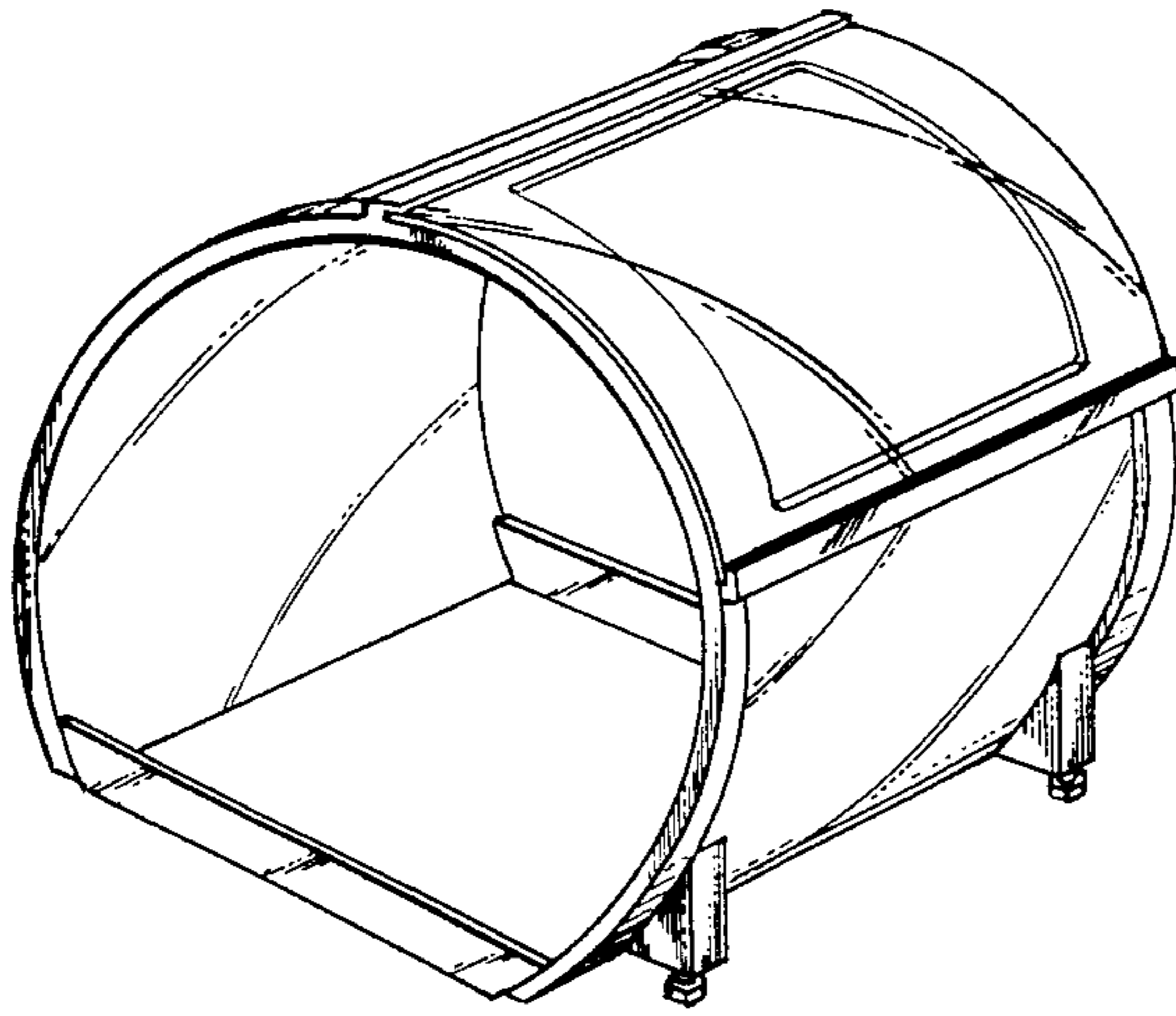


Fig. 2

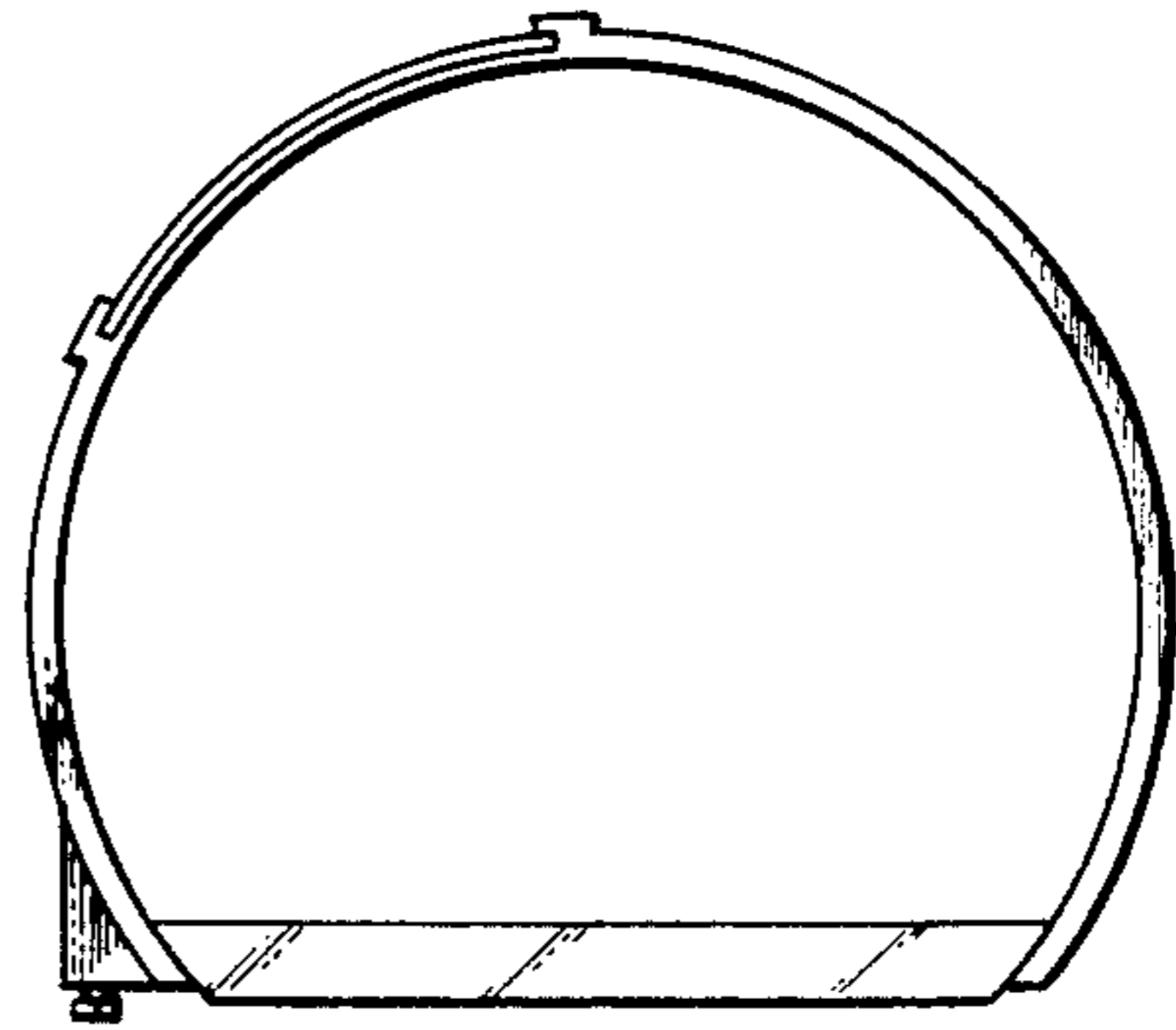


Fig. 3

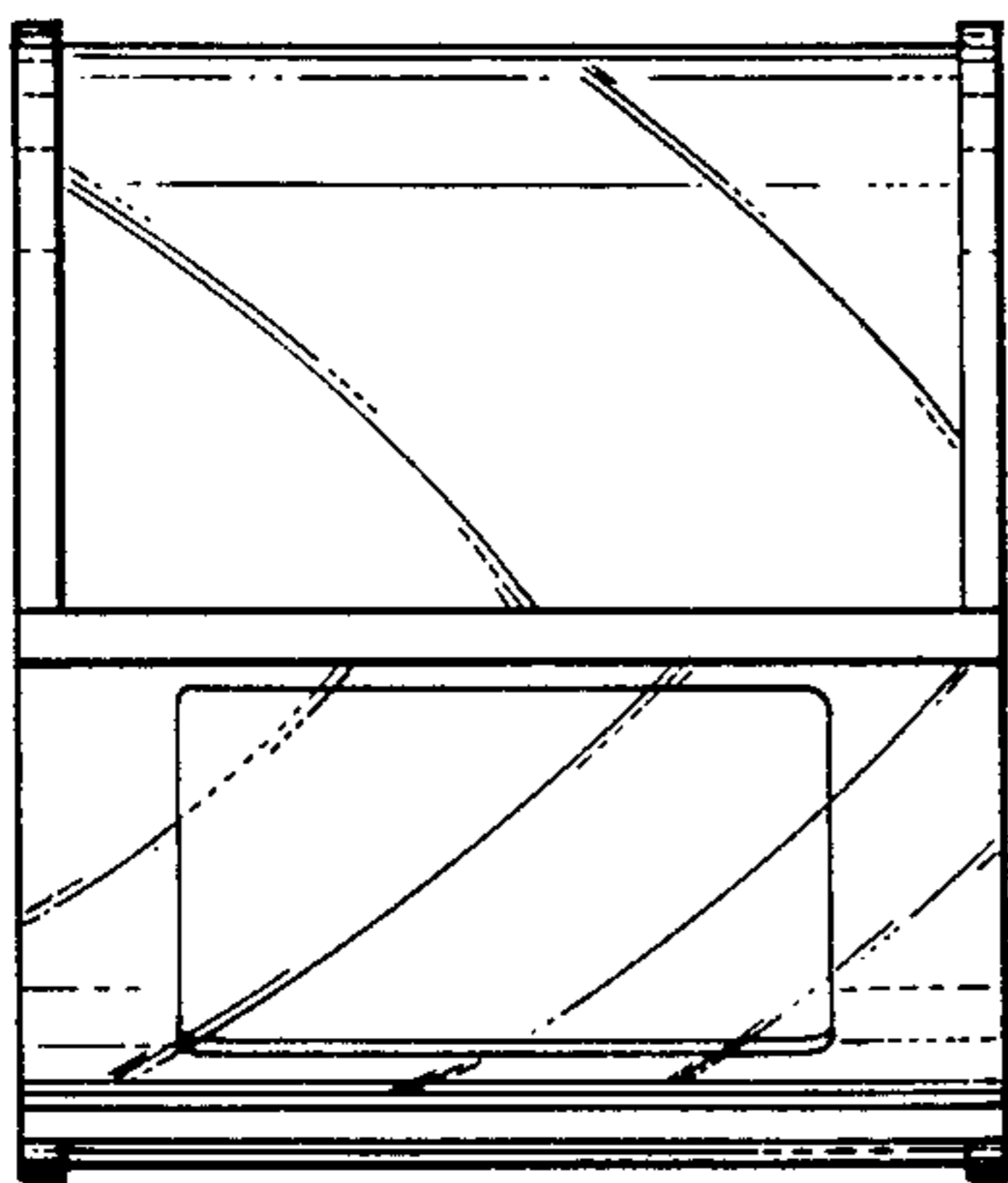
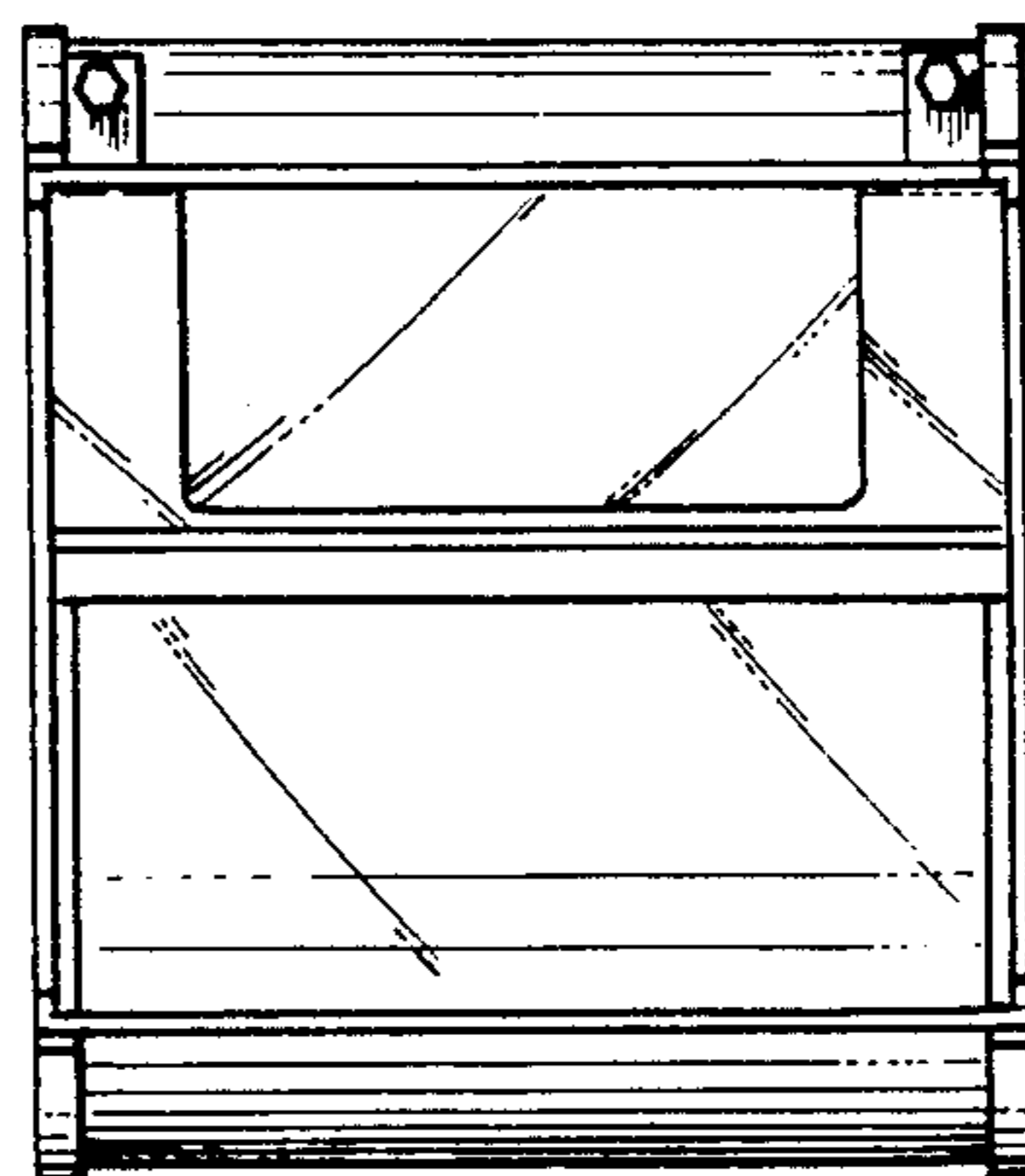


Fig. 4



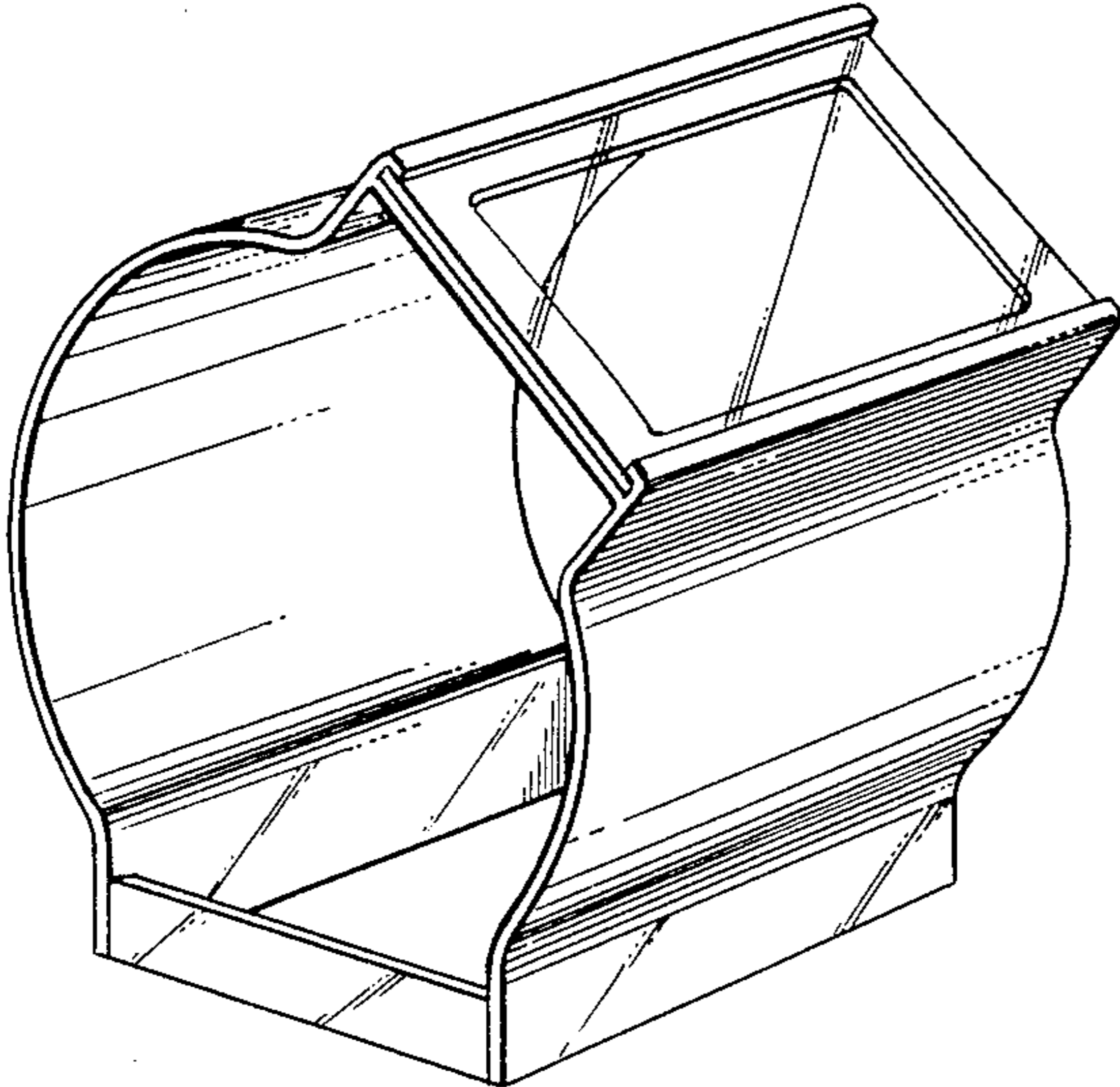


Fig. 5

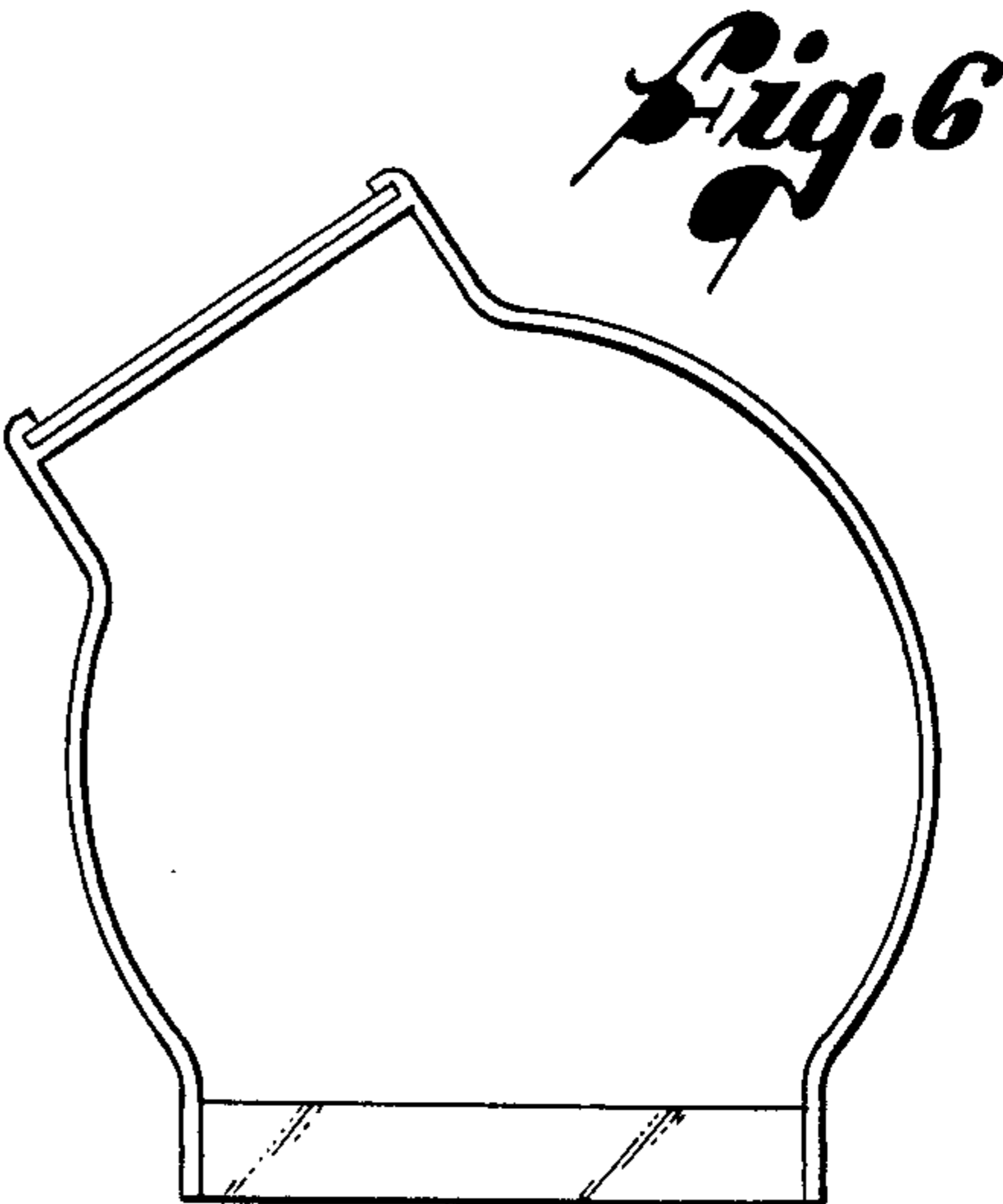


Fig. 6

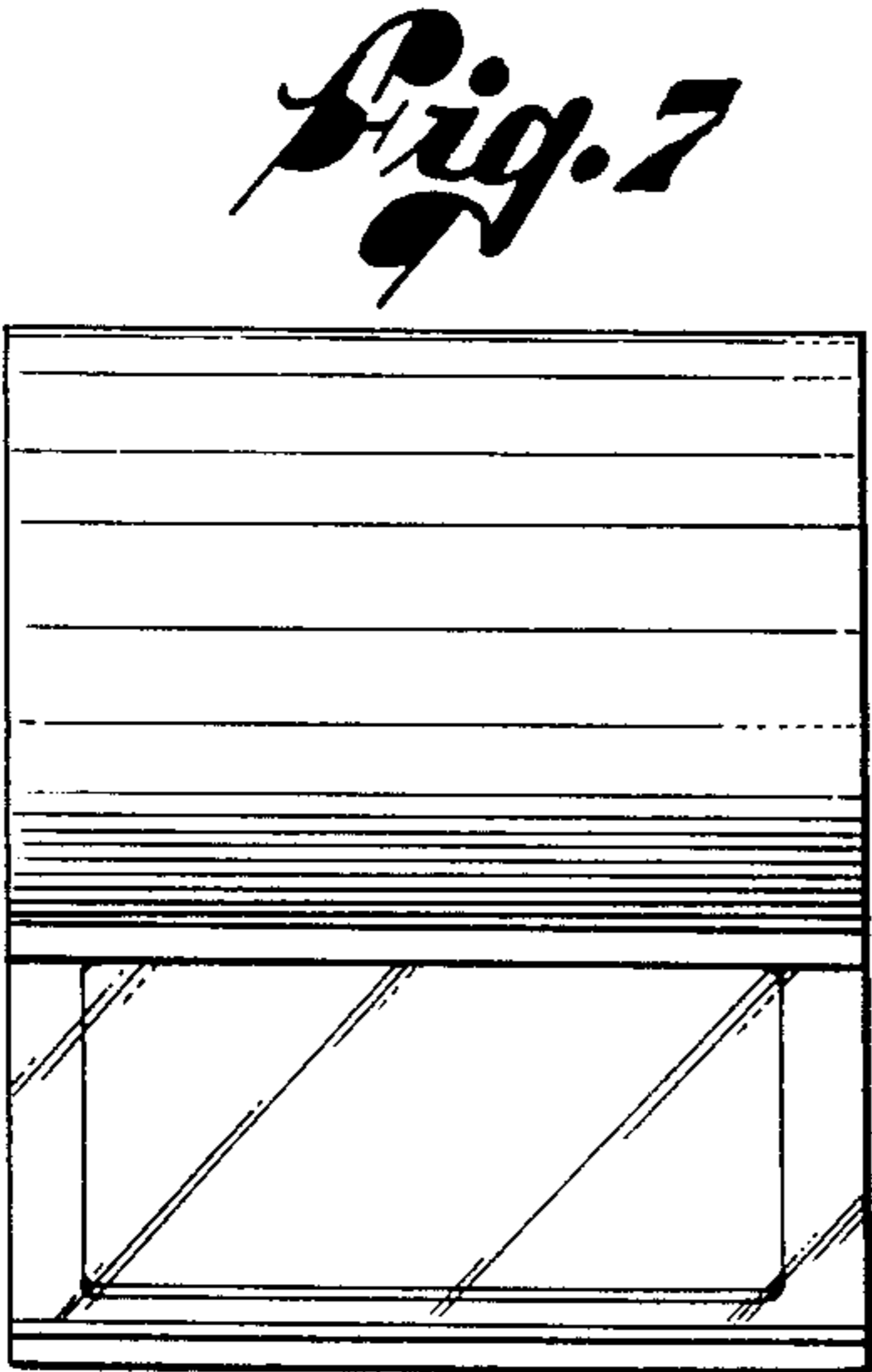


Fig. 7

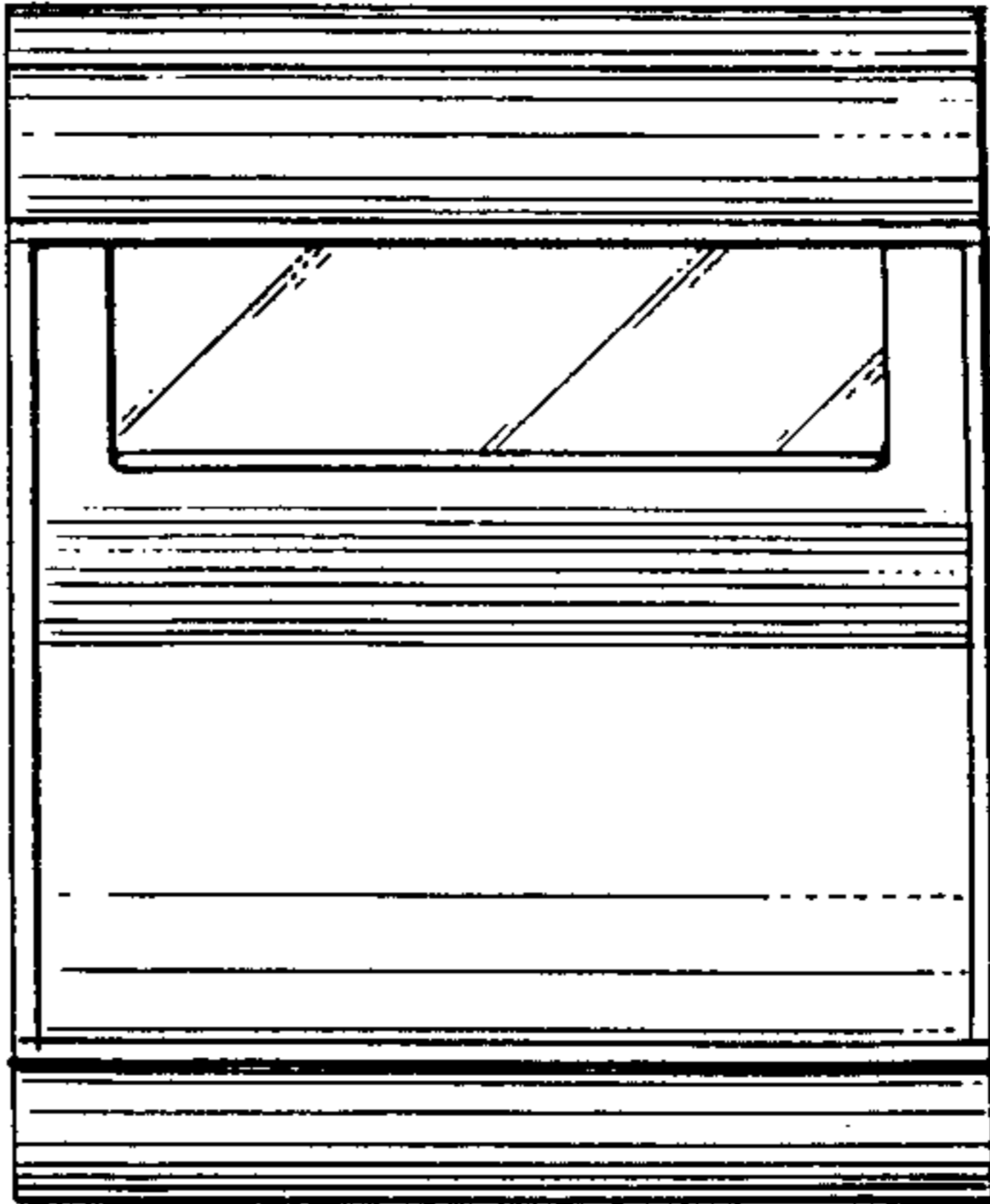


Fig. 8