

[54] ICE CUBE TRAY
 [75] Inventor: Florian Gurbin, Essex, Canada
 [73] Assignee: F. Gurbin Engineering & Manufacturing, Essex, Canada
 [**] Term: 14 Years
 [21] Appl. No.: 672,452
 [22] Filed: Mar. 31, 1976
 [51] Int. Cl. D15-07
 [52] U.S. Cl. D15/90
 [58] Field of Search D15/90; 249/118, 119, 249/121, 203, 127-132, 70-72; 62/457, 459
 [56] References Cited
 U.S. PATENT DOCUMENTS
 1,889,481 11/1932 Kennedy, Jr. 249/130

2,367,573 1/1945 Gibson 249/128
 3,844,525 10/1974 Parmett 249/127
 D. 211,761 7/1968 Hulterstrum D15/90

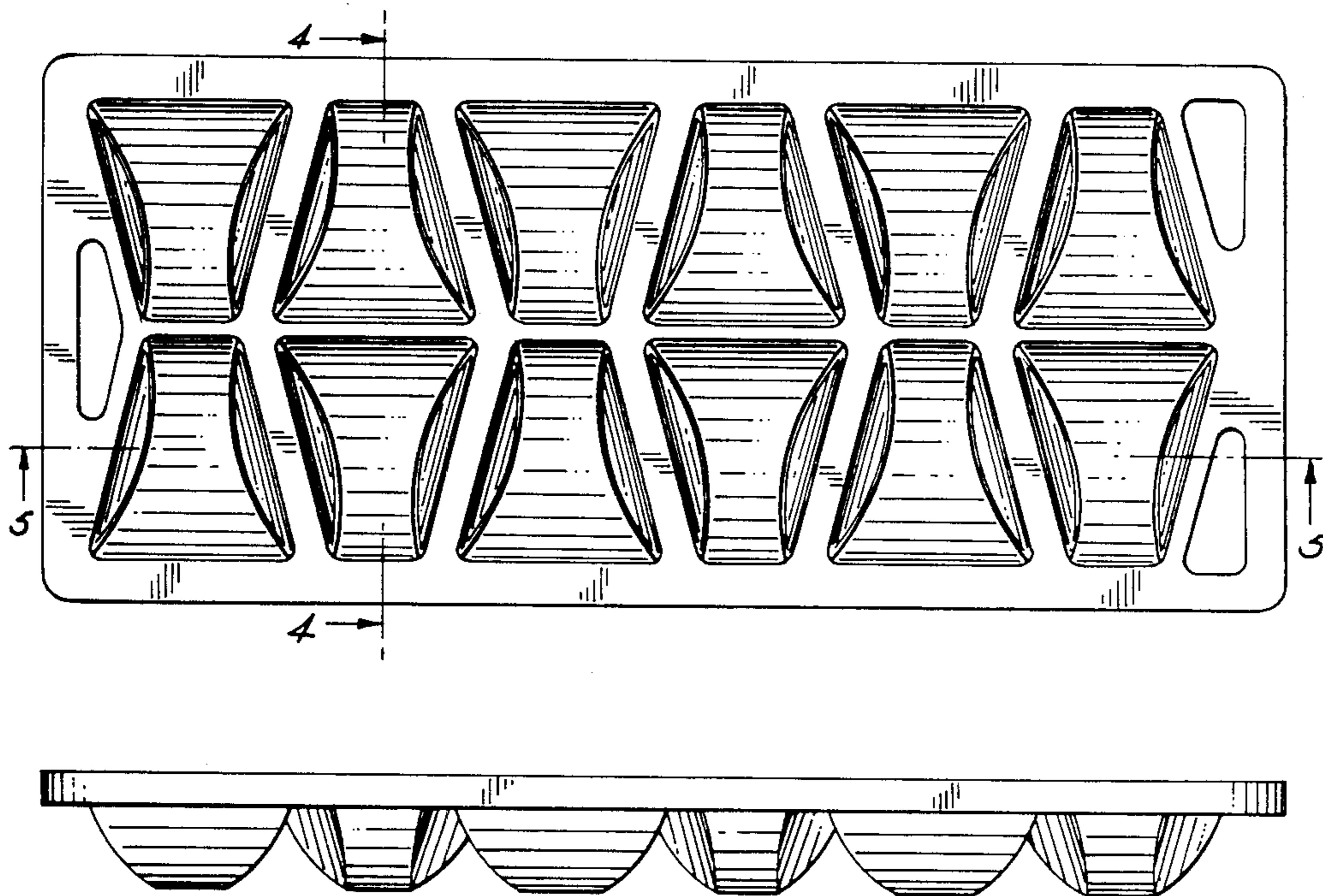
Primary Examiner—Wallace R. Burke
 Assistant Examiner—James M. Gandy
 Attorney, Agent, or Firm—Arthur Raisch

[57] CLAIM

The ornamental design for an ice cube tray, as shown.

DESCRIPTION

FIG. 1 is a top plan view of an ice cube tray embodying my novel design.
 FIG. 2 is a side elevational view thereof.
 FIG. 3 is an end elevational view thereof.
 FIG. 4 is a sectional view thereof taken along the line 4-4 in FIG. 1.
 FIG. 5 is a sectional view thereof taken along the line 5-5 in FIG. 1.



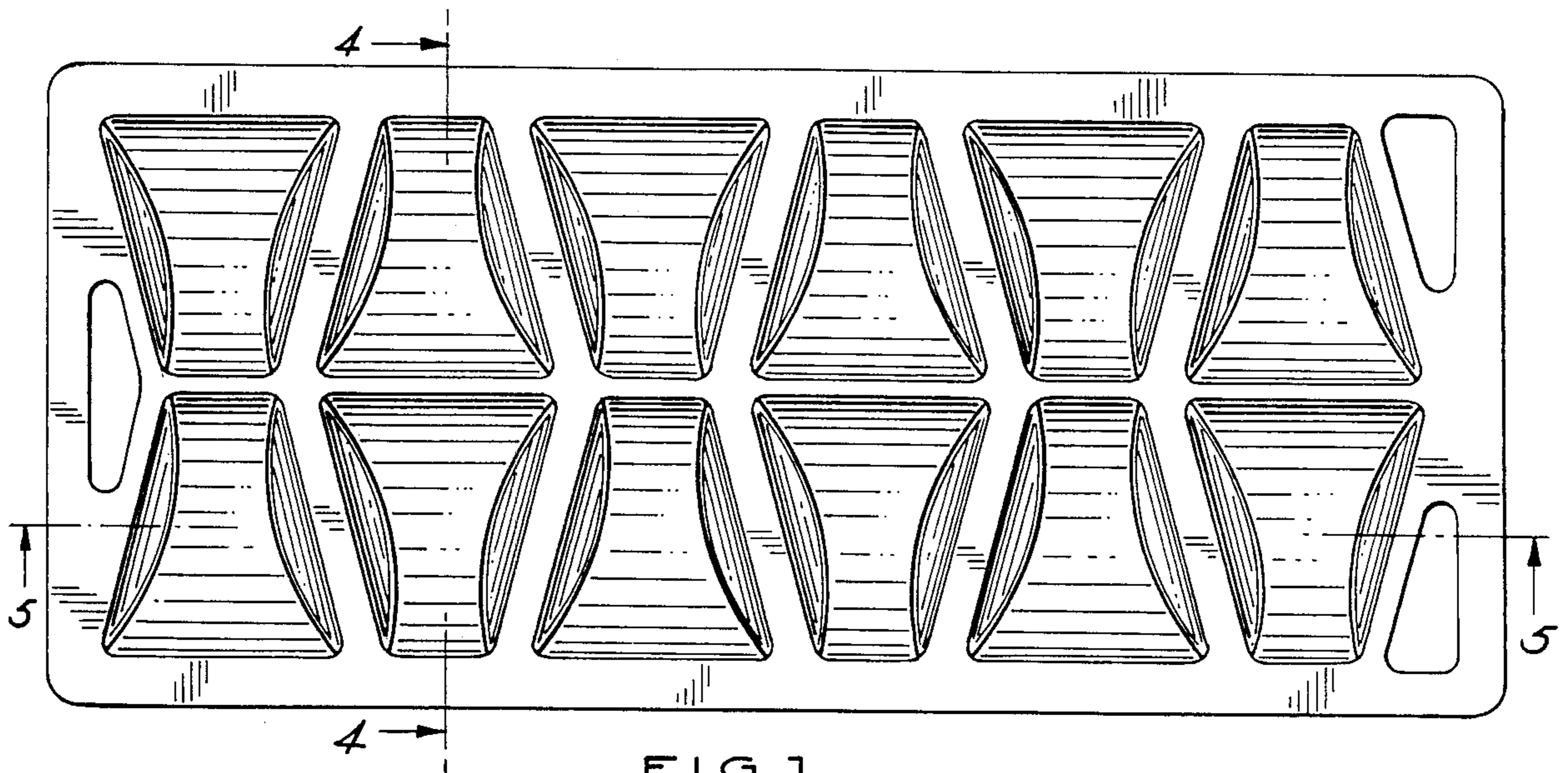


FIG. 1

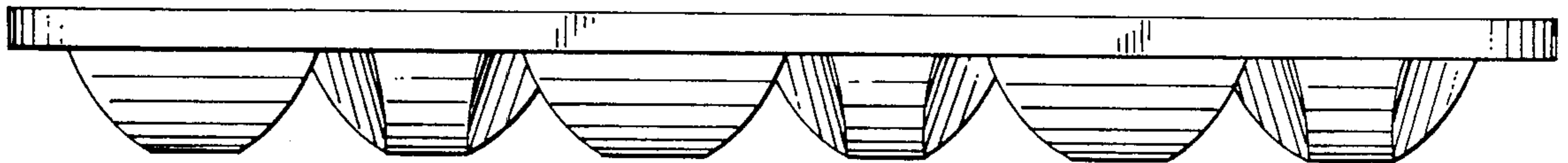


FIG. 2

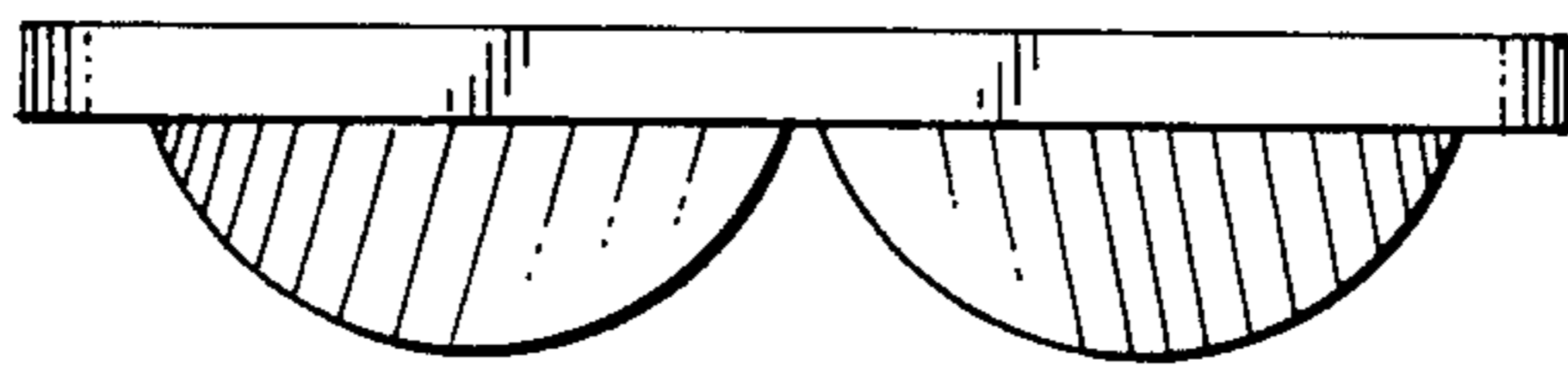


FIG. 3

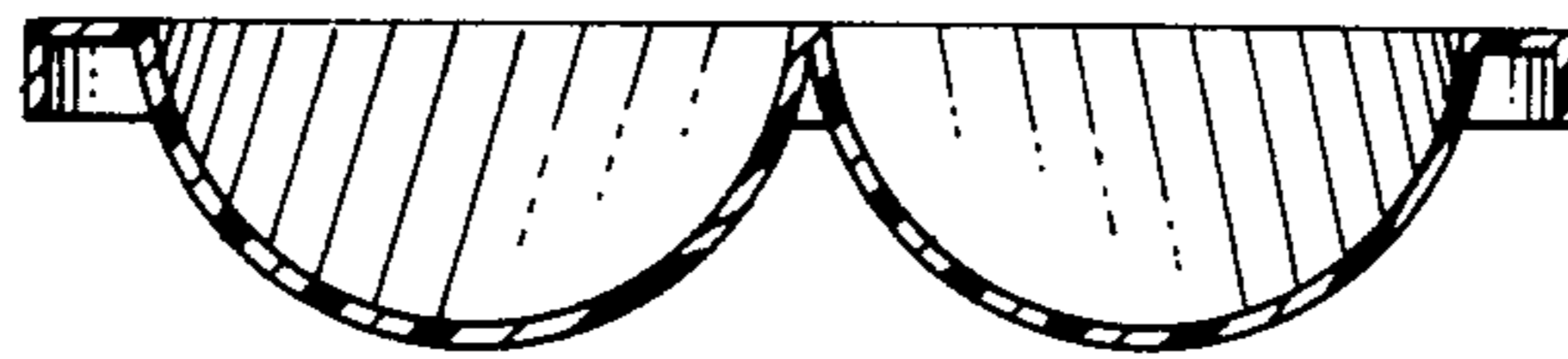


FIG. 4

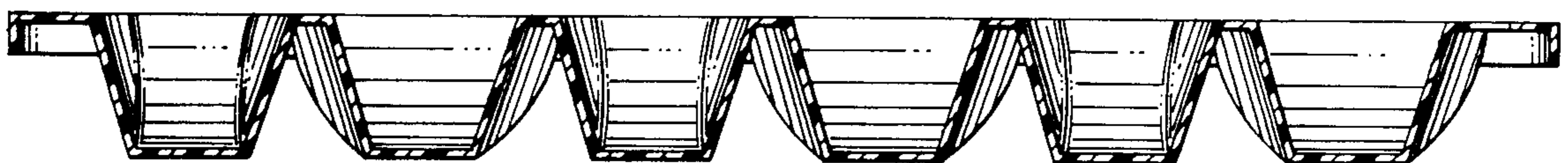


FIG. 5