

[54] WHEEL

[76] Inventors: Charles Joseph Raudman, Jr., 23350 Agramonte, Newhall, Calif. 91321; Edward Hugo Hoffman, 382 Laguna Terrace, Simi Valley, Calif. 93065

[**] Term: 14 Years

[21] Appl. No.: 698,422

[22] Filed: June 21, 1976

Related U.S. Application Data

[63] Continuation-in-part of Ser. No. 606,750, Aug. 22, 1975, abandoned.

[51] Int. Cl. D12-16

[52] U.S. Cl. D12/205

[58] Field of Search D12/205, 211, 209; 301/375 S, 63 R, 63 PW, 64 R, 64 SD, 65, 66, 73, 79, 95, 95 C

[56] References Cited

U.S. PATENT DOCUMENTS

D. 214,620 7/1969 Barris D12/211
D. 231,349 4/1974 Gaffney D12/211

D. 232,717 9/1974 Morris D12/205
D. 236,609 9/1975 Hess D12/205

OTHER PUBLICATIONS

Cycle World, July 1974, p. 88, wheel, top of page.
The Divine Catalog No. 26-A, Rec'd July 26, 1966, wheel section, p. 9, wheel 2, bottom left side of page.
Nutting Casters & Wheels Catalog 64G, Rec'd June 25, 1968, p. 46, wheel, top right end side of page.
Albion Catalog 80 C4, p. 86, Rec'd Sept. 4, 1975, 1972, wheel, 1, bottom right side of page.

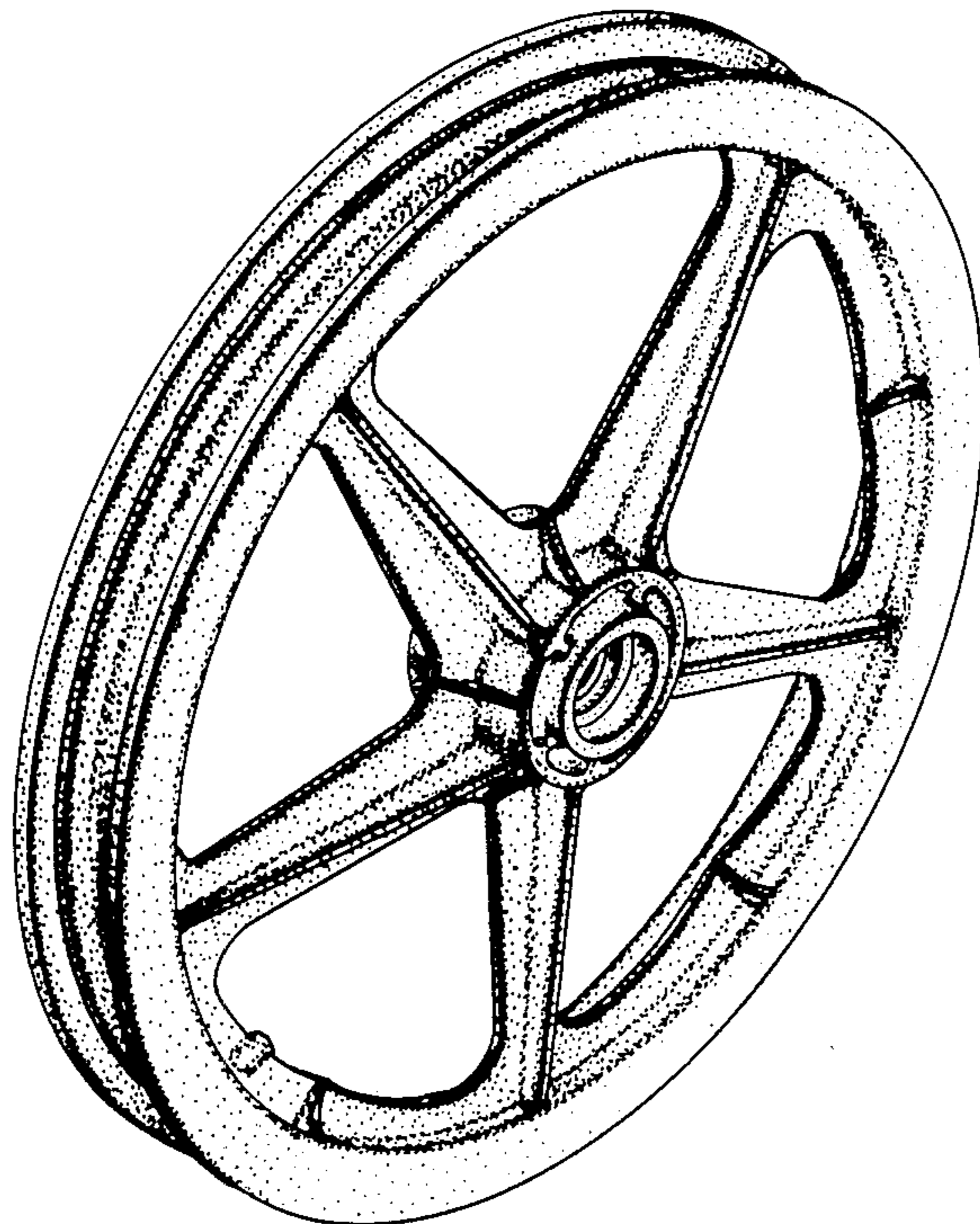
Primary Examiner—Wallace R. Burke
Assistant Examiner—James M. Gandy
Attorney, Agent, or Firm—Samuel Lindenberg

[57] CLAIM

The ornamental design for a wheel, substantially as shown and described.

DESCRIPTION

FIG. 1 is a perspective view of a wheel showing our new design;
FIG. 2 is a front elevational view thereof, the rear being a mirror image of the front shown herein; and
FIG. 3 is a side elevational view thereof.



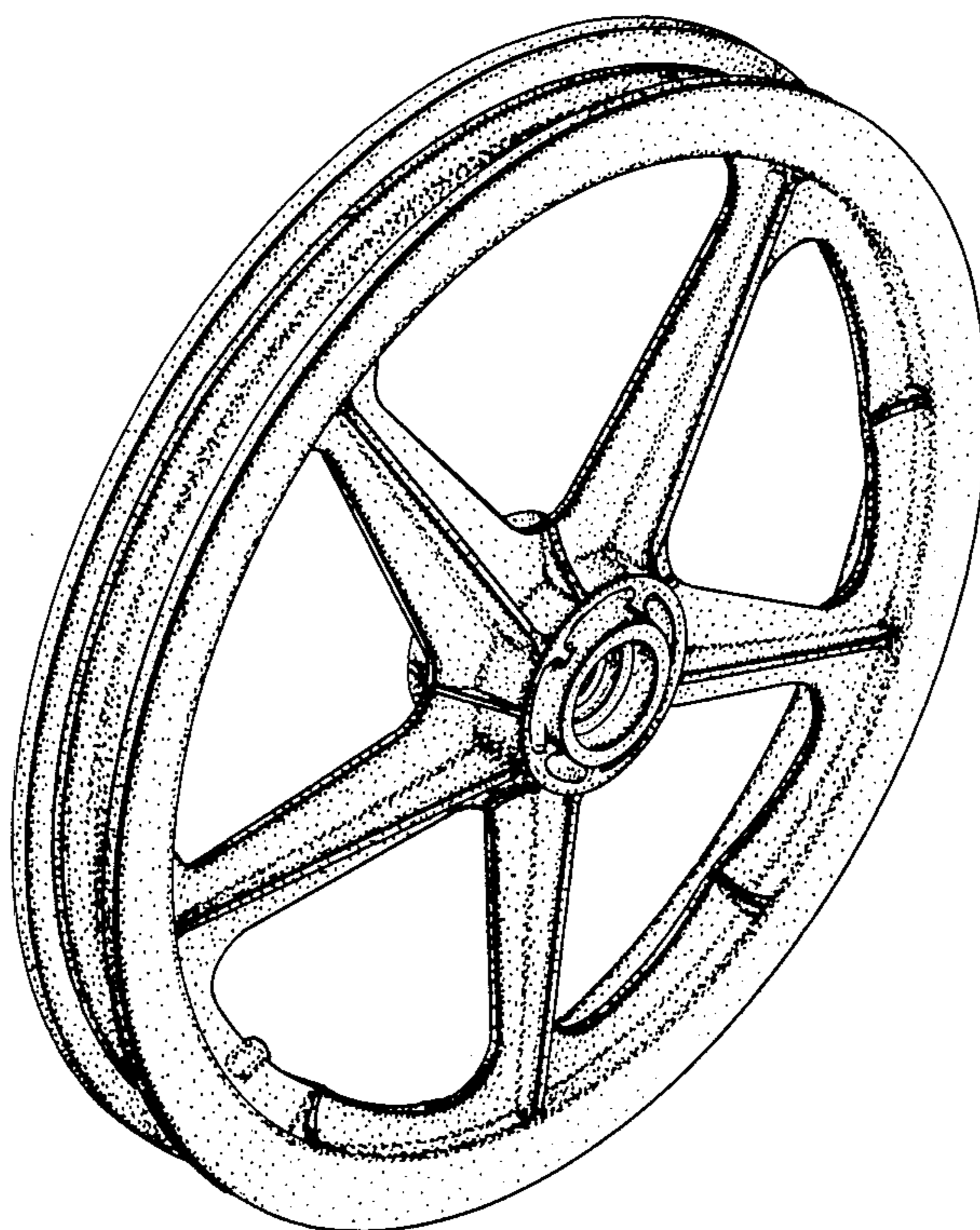


FIG. 1

Fig. 2

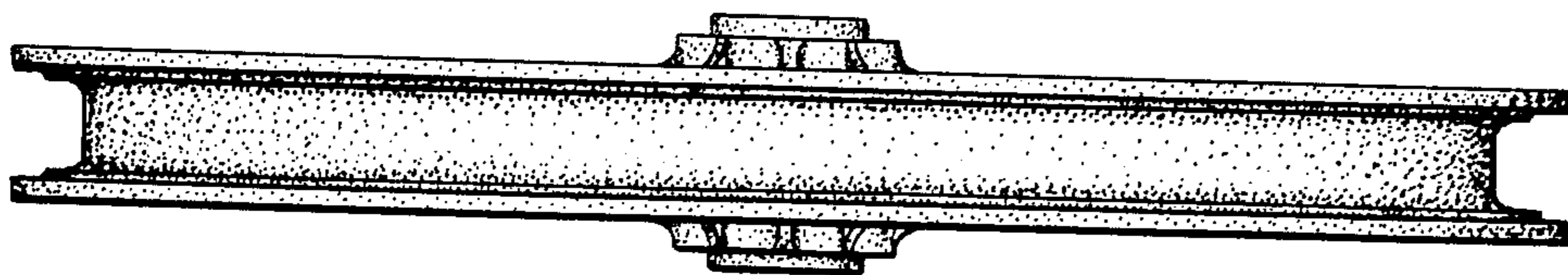
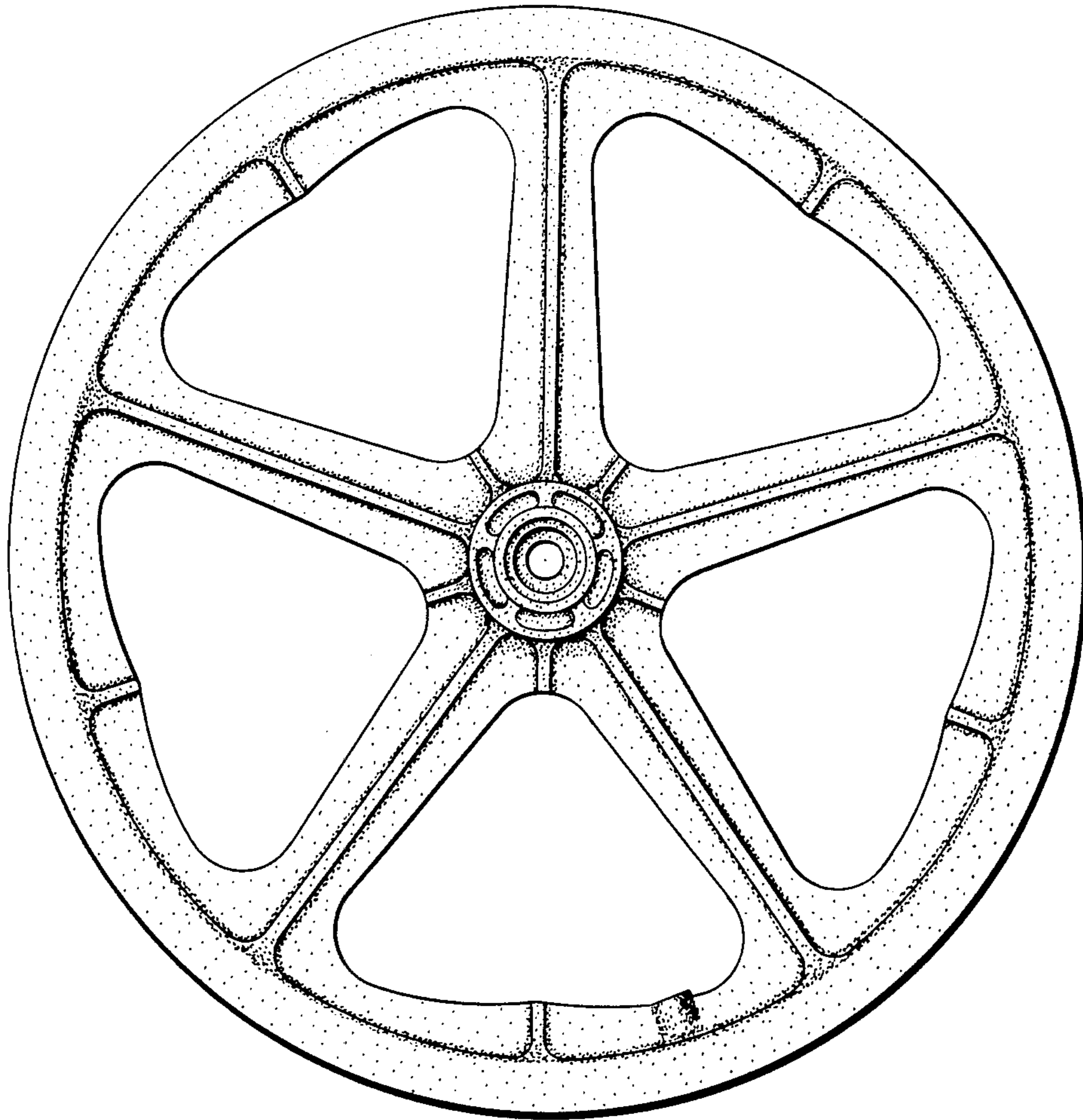


Fig. 3