

[54] TRUCK GRILL

[76] Inventor: Steve Gostovich, Jr., 4180 SW. 98th Ave., Portland, Oreg. 97225

[**] Term: 14 Years

[21] Appl. No.: 670,644

[22] Filed: Mar. 26, 1976

[51] Int. Cl. D12-16

[52] U.S. Cl. D12/163

[58] Field of Search D12/171, 163; D25/87, D25/88; 52/660, 661, 673; 180/68 P; 293/62, 60, 64-66, 68, 69 R, 71 R, 71 P, 1 R

[56] References Cited

U.S. PATENT DOCUMENTS

D. 119,379 3/1940 Cadwallader D12/163

FOREIGN PATENT DOCUMENTS

1,576,730 9/1970 Germany 180/68 P
104,247 3/1917 United Kingdom 180/68 P

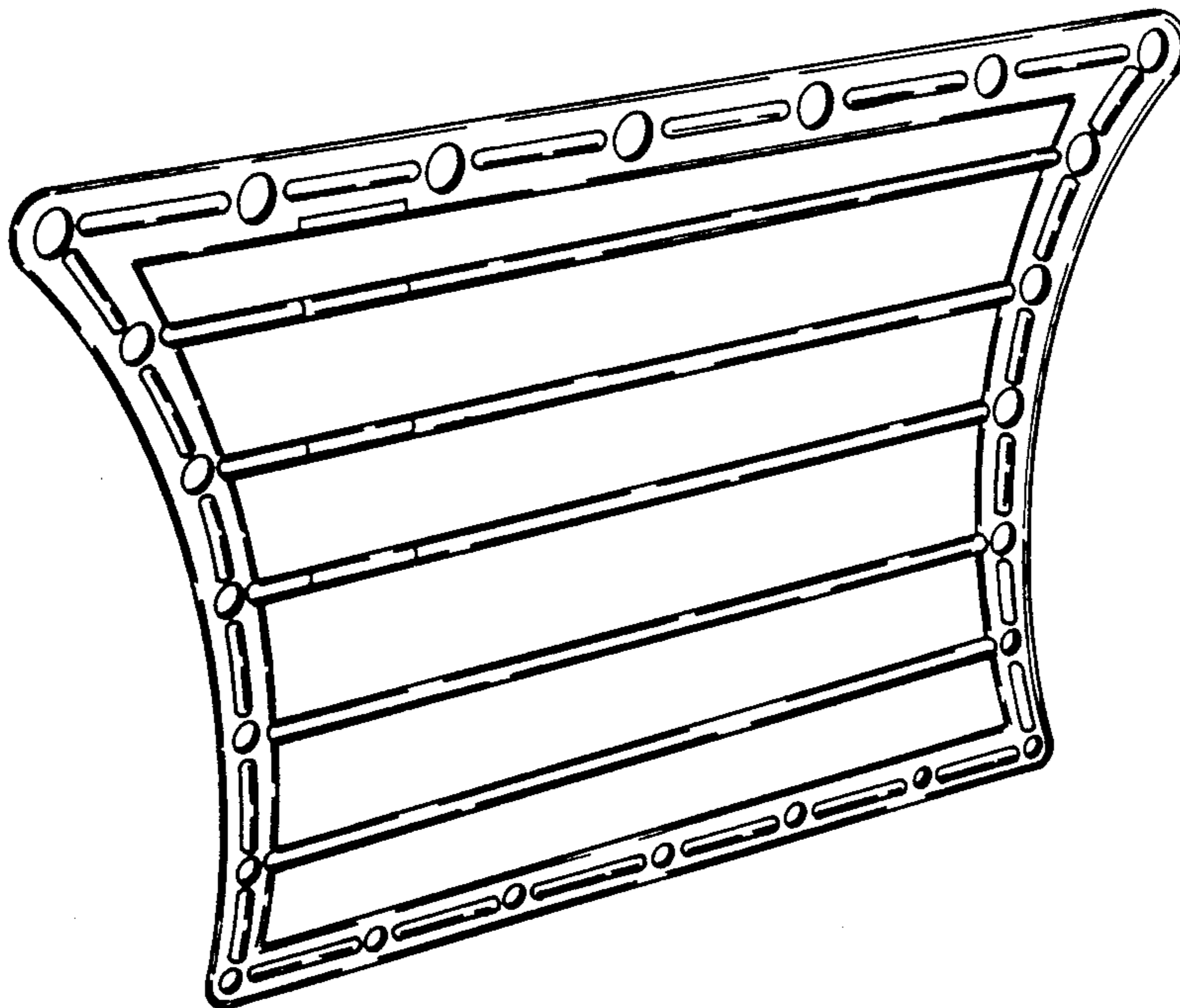
Primary Examiner—Wallace R. Burke
Assistant Examiner—James M. Gandy
Attorney, Agent, or Firm—Francis Swanson

[57] CLAIM

The ornamental design for a truck grill, as shown.

DESCRIPTION

FIG. 1 is a top, front, and left side perspective view of a truck grill showing my new design;
FIG. 2 is a bottom, rear and right side perspective view thereof;
FIG. 3 is a side elevational view thereof;
FIG. 4 is a top plan view thereof; and
FIG. 5 is a bottom plan view thereof.



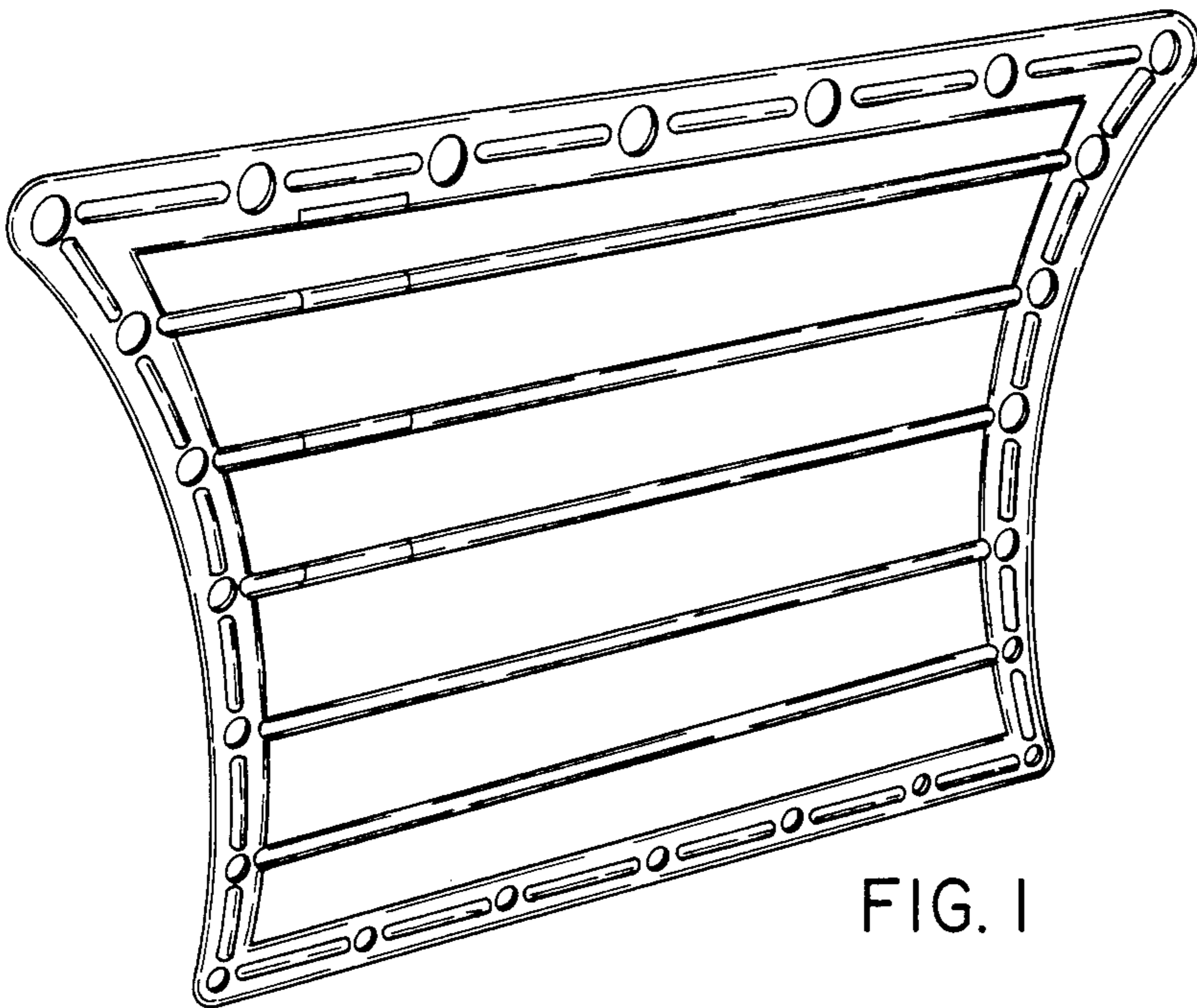


FIG. 1

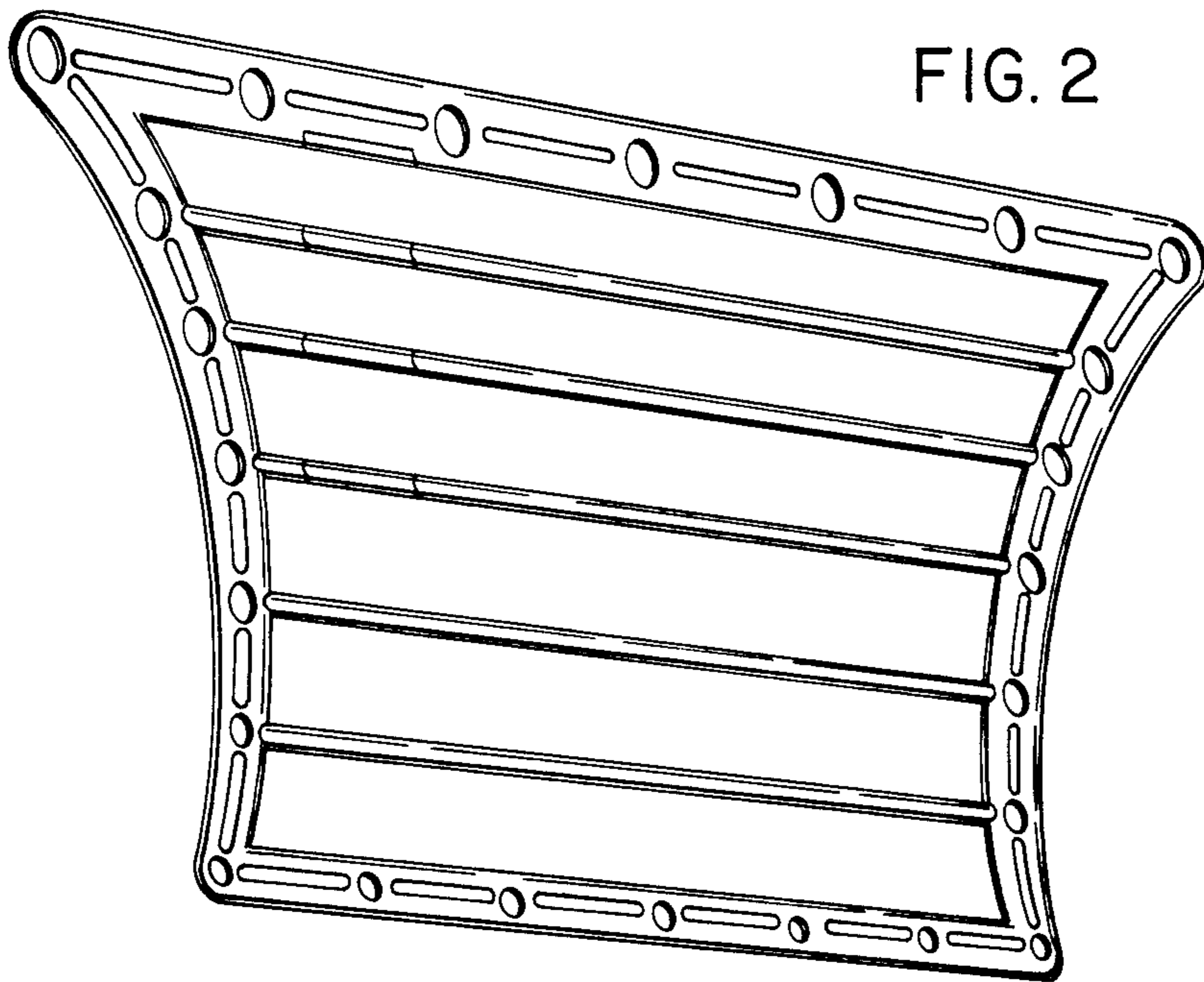


FIG. 2



FIG. 3

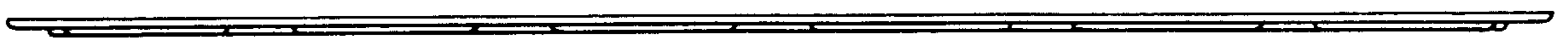


FIG. 4

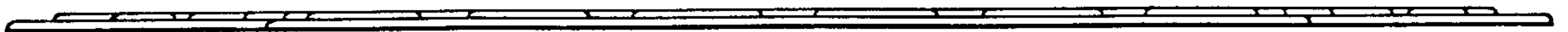


FIG. 5