

[54] CAB ENCLOSURE FOR TRUCKS

[76] Inventor: **Lawrence P. Fay**, 1304 Lorne St., Regina, Saskatchewan, Canada

[\*\*] Term: **14 Years**

[21] Appl. No.: **638,380**

[22] Filed: **Dec. 8, 1975**

[51] Int. Cl. .... **D12-16**

[52] U.S. Cl. .... **D12/156**

[58] Field of Search ..... D12/156; 296/10, 23 MC, 296/23 R, 26, 99, 100, 137 B, 137 R

[56] **References Cited**

U.S. PATENT DOCUMENTS

2,971,794 2/1961 Garcia ..... 296/26

3,249,382 5/1966 Swithenbank ..... 296/26

3,508,786 4/1970 Colville ..... D12/156 UX

3,758,148 9/1973 Sowma ..... 296/137 B

D. 232,628 9/1974 Douglas et al. .... D12/156

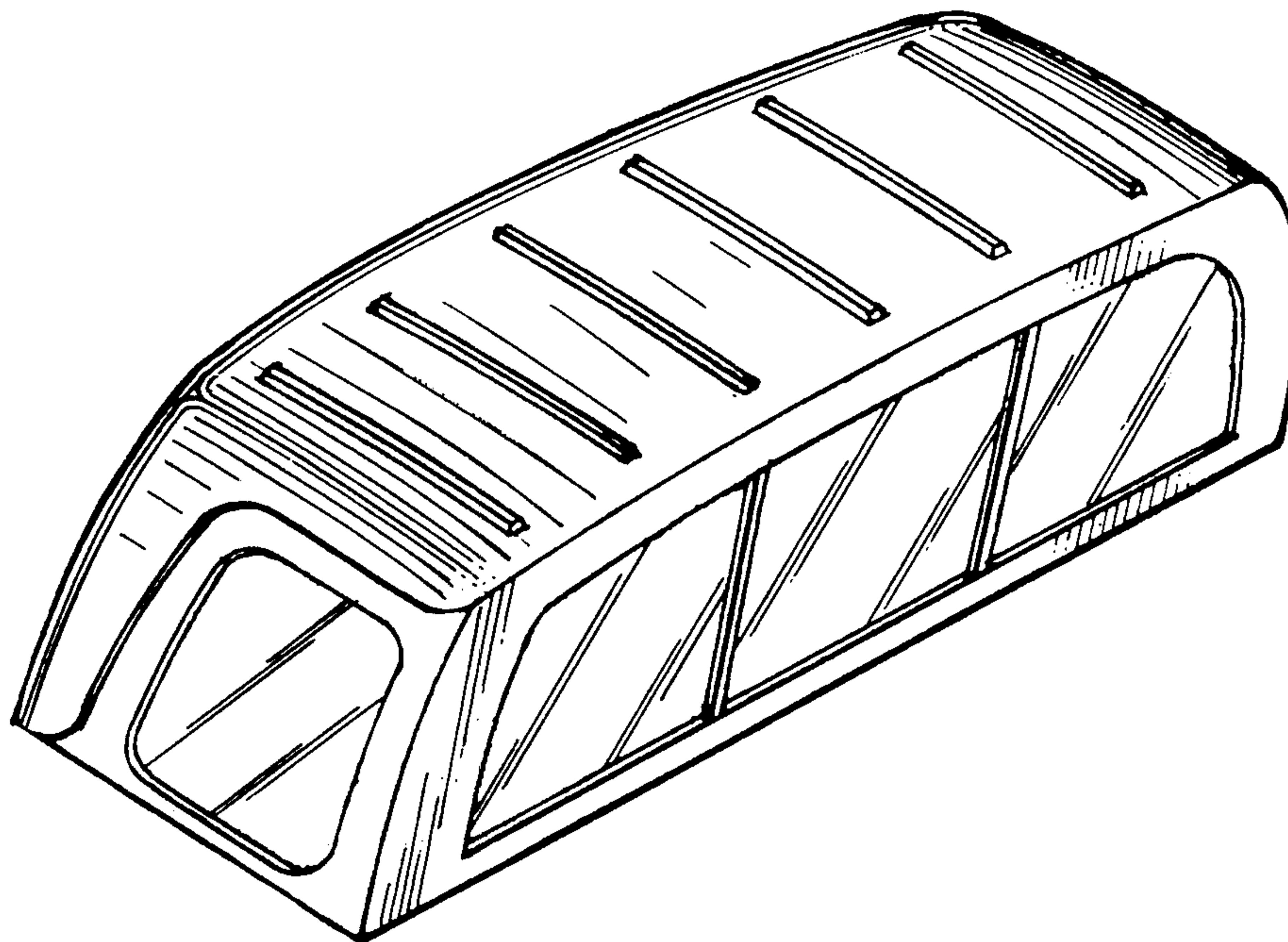
*Primary Examiner*—Wallace R. Burke  
*Assistant Examiner*—James M. Gandy  
*Attorney, Agent, or Firm*—Stanley G. Ade

[57] CLAIM

The ornamental design for a cab enclosure for trucks, as shown and described.

DESCRIPTION

FIG. 1 is an isometric view of a cab enclosure for trucks showing the front and one end of my new design, it being understood that the opposite end is a mirror image of the end shown herein; and FIG. 2 is a rear elevational view thereof.



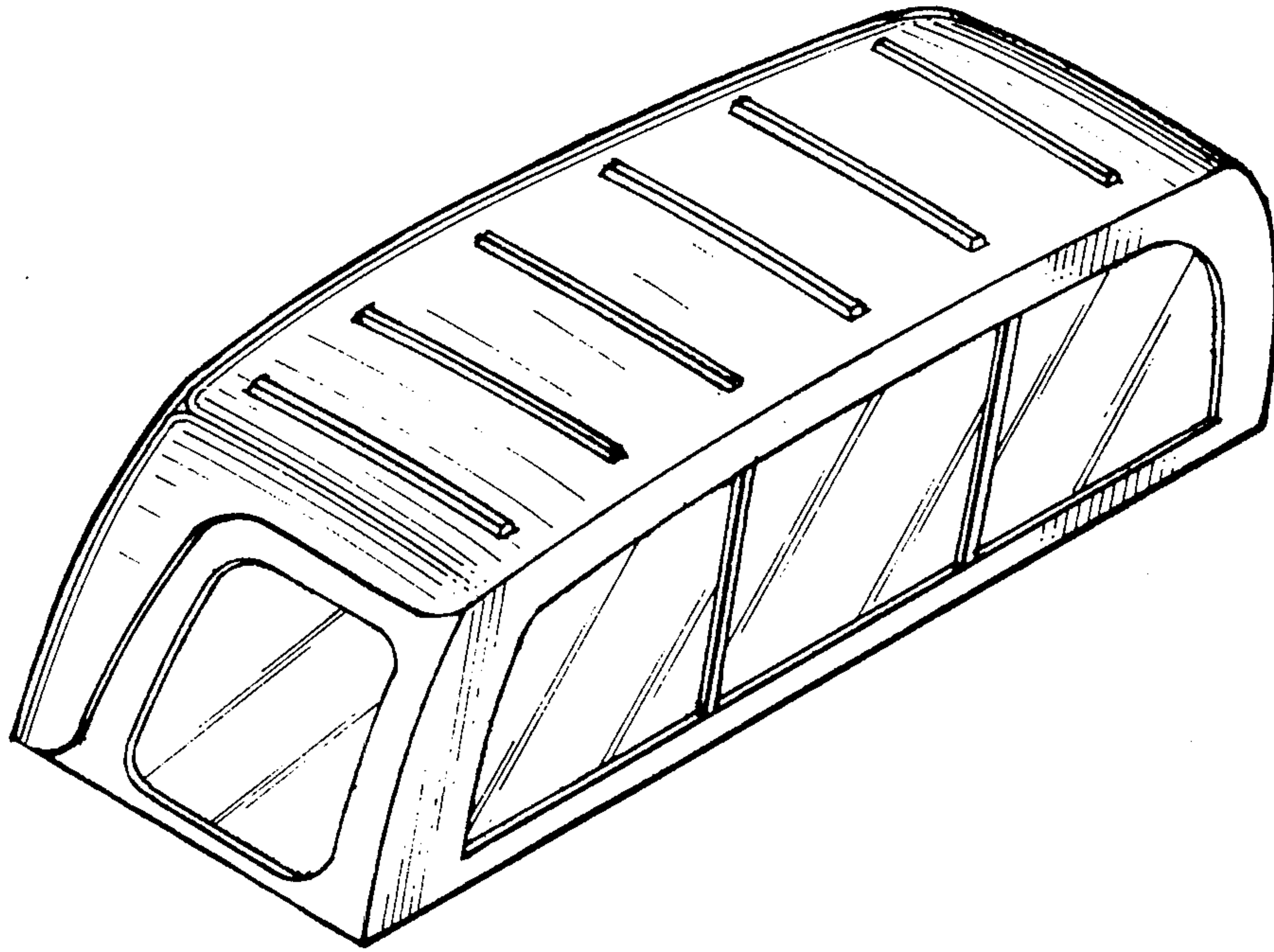


FIG. 1

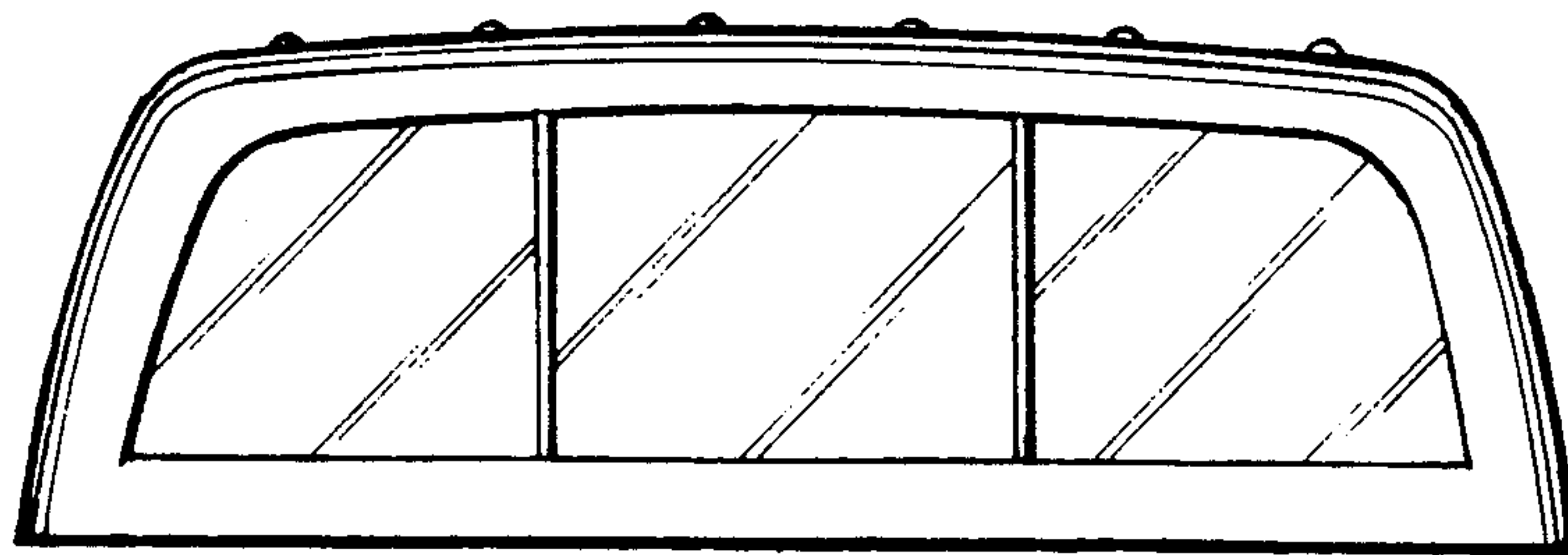


FIG. 2