

[54] BICYCLE FRAME

[75] Inventors: Larry M. Cognata; Dennis C. Patterson, both of Nashville, Tenn.

[73] Assignee: The Murray Ohio Manufacturing Company, Brentwood, Tenn.

[**] Term: 14 Years

[21] Appl. No.: 629,552

[22] Filed: Nov. 6, 1975

[51] Int. Cl. D12-11

[52] U.S. Cl. D12/111

[58] Field of Search D12/111; 280/281, 283, 280/276, 277

[56]

References Cited

U.S. PATENT DOCUMENTS

- D. 213,606 3/1969 Gordon et al. D12/111
- D. 213,753 4/1969 Schreckengost D12/111

D. 216,538 2/1970 Hill D12/111

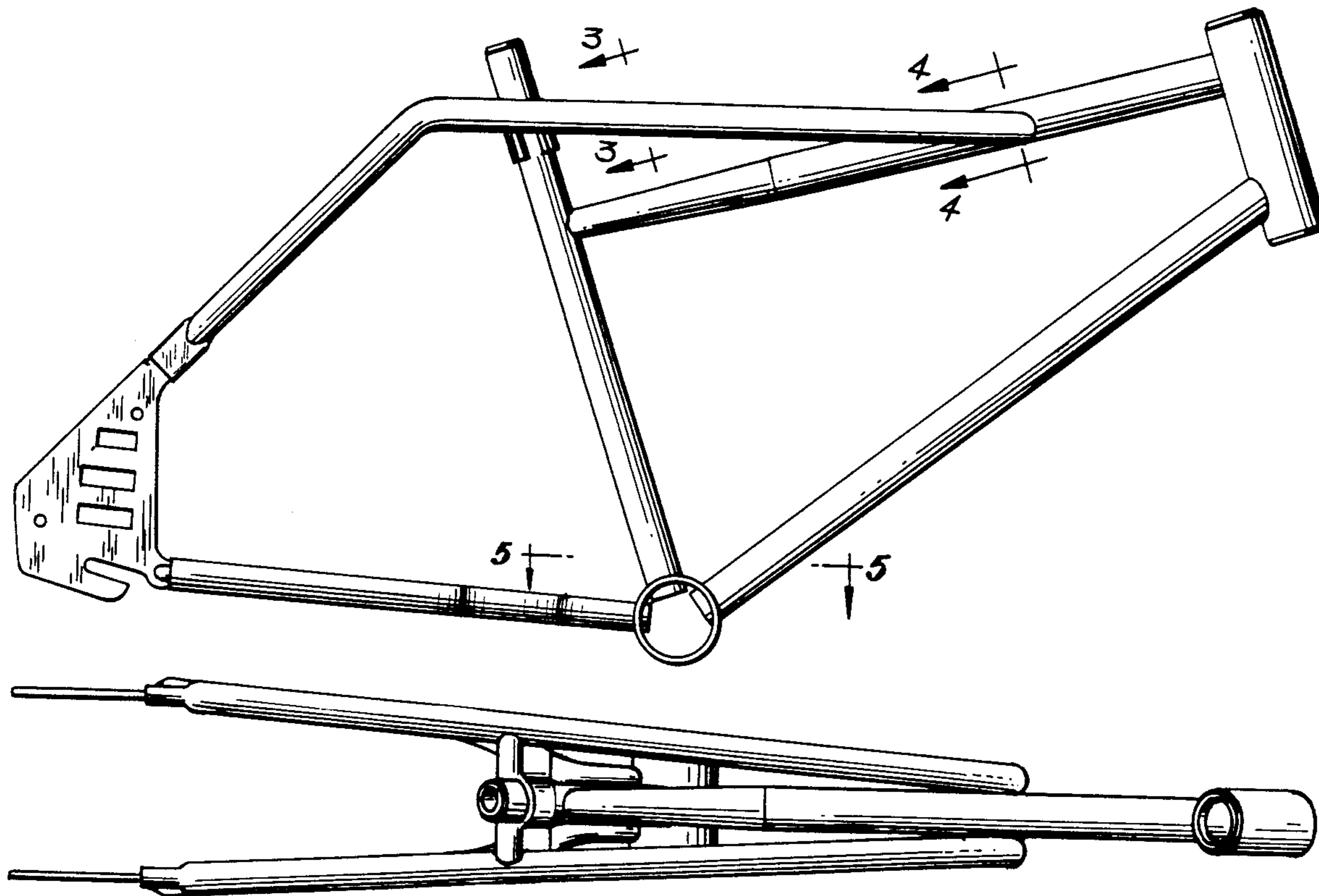
Primary Examiner—Wallace R. Burke
Assistant Examiner—James M. Gandy
Attorney, Agent, or Firm—John W. Malley

[57] CLAIM

The ornamental design for a bicycle frame, substantially as shown.

DESCRIPTION

FIG. 1 is a side elevational view of a bicycle frame showing our new design the opposite side being a mirror image thereof;
FIG. 2 is a top plan view thereof;
FIG. 3 is a greatly enlarged fragmentary sectional view taken along lines 3—3 of FIG. 1;
FIG. 4 is a greatly enlarged sectional view taken along lines 4—4 of FIG. 1; and
FIG. 5 is an enlarged fragmentary sectional view taken along lines 5—5 of FIG. 1.



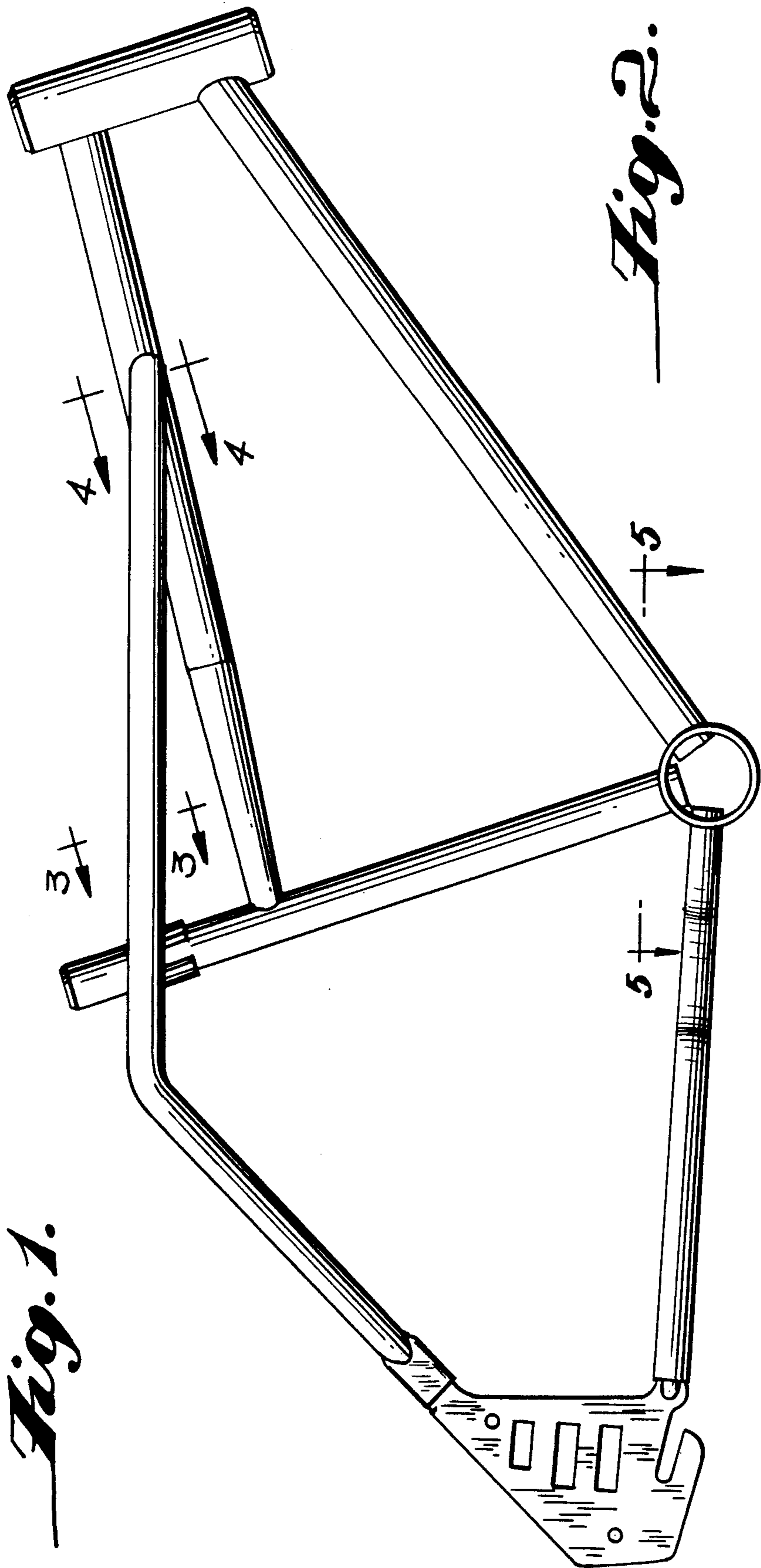
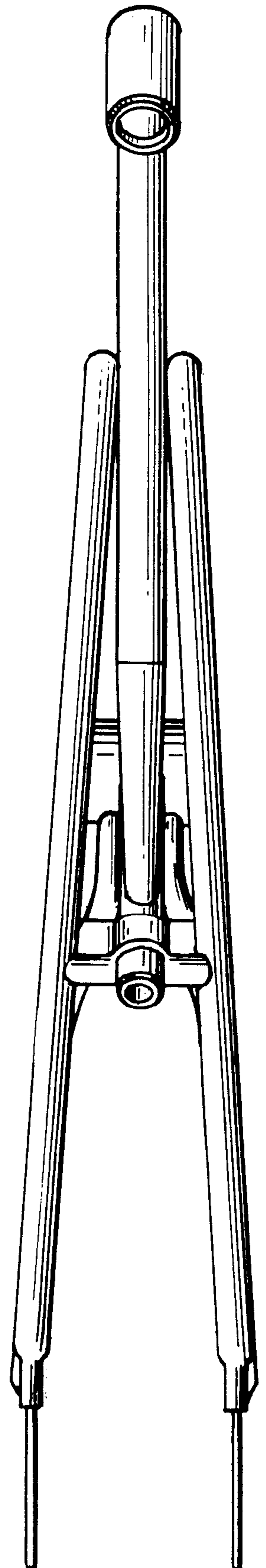


Fig. 2.



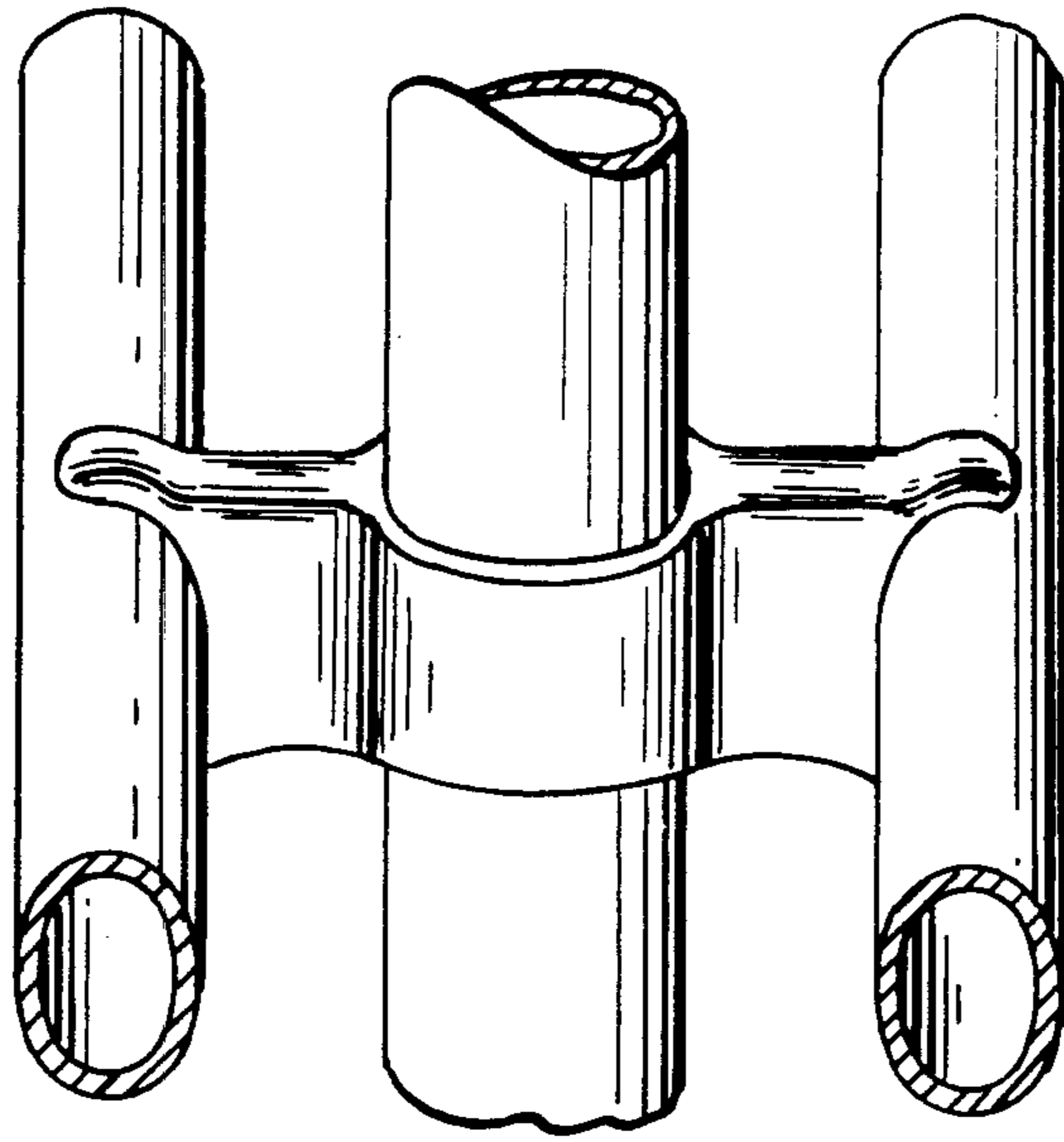


Fig. 3.

Fig. 4.

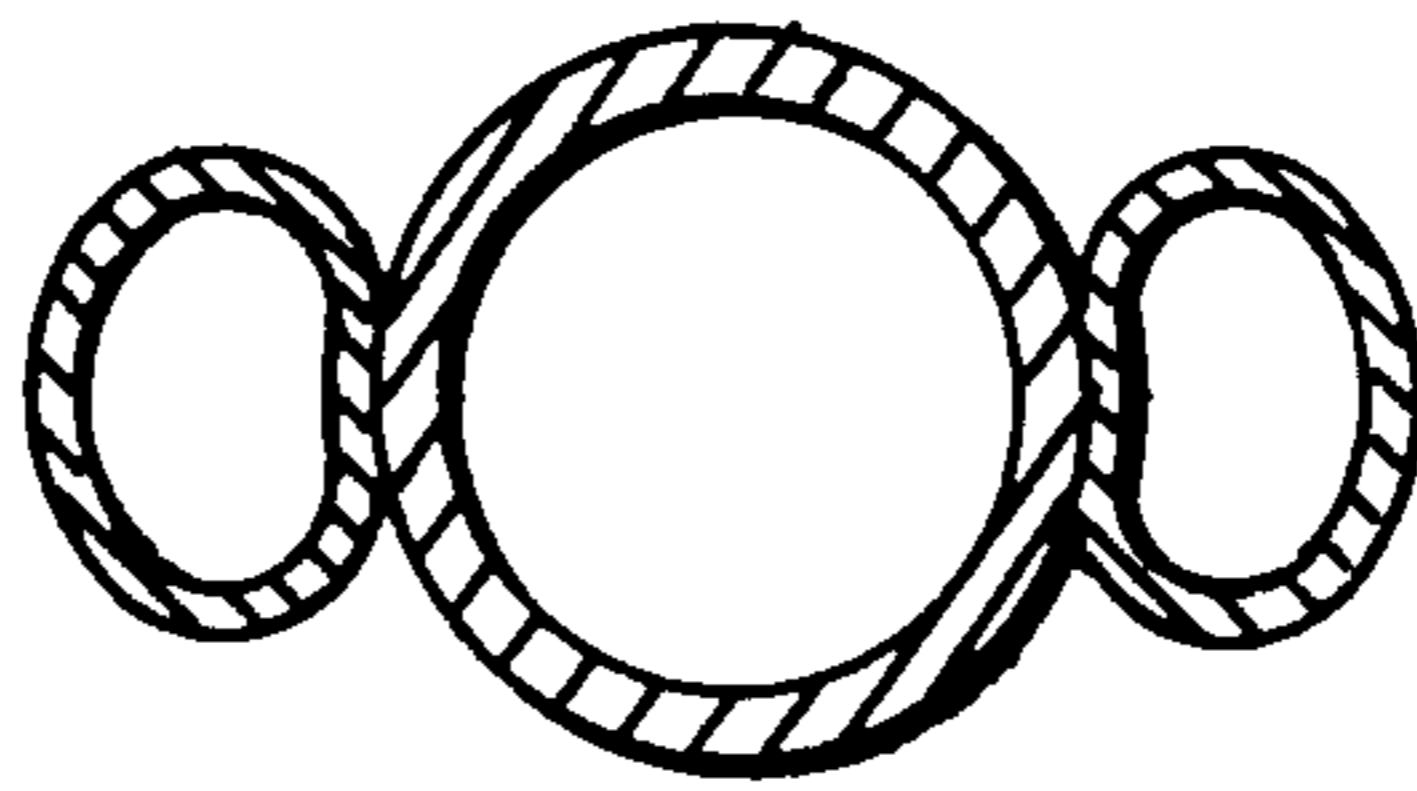


Fig. 5.

