

[54] EGG CARTON

[75] Inventor: Jørgen Nilas Petersen, Lyngby, Denmark

[73] Assignee: Aktieselskabet Brodrene Hartmann, Lyngby, Denmark

[**] Term: 14 Years

[21] Appl. No.: 536,562

[22] Filed: Dec. 26, 1974

[30] Foreign Application Priority Data

July 4, 1974 Denmark 925/74

[51] Int. Cl. D9-03

[52] U.S. Cl. D9/190

[58] Field of Search 229/2.5; D9/190

[56] References Cited

U.S. PATENT DOCUMENTS

2,924,368	2/1960	Lord et al.	D9/190 X
3,289,911	12/1966	Boyd et al.	D9/190 X
3,362,605	1/1968	Bixler	229/2.5
3,572,578	3/1971	Rohdin	D9/190 X
D. 208,275	8/1967	Pearl et al.	D9/190

Primary Examiner—Robert C. Spangler
Attorney, Agent, or Firm—Willis H. Taylor, Jr.

[57] CLAIM

The ornamental design for an egg carton, substantially as shown and described.

DESCRIPTION

FIG. 1 is a top, rear perspective of an egg carton showing my new design;
 FIG. 2 is a top, front perspective view;
 FIG. 3 is a bottom plan view;
 FIG. 4 is an exterior, perspective view with the carton in an open position showing the front side of the top cover and one end;
 FIG. 5 is an exterior perspective view with the carton in an open position showing the front of the top cover;
 FIG. 6 is an exterior perspective view of the carton in an open position taken from one side and showing the locking flap;
 FIG. 7 is an exterior perspective view of the carton in an open position taken from one end and showing the locking flap;
 FIG. 8 is an exterior plan view of the carton in an open position; and
 FIG. 9 is an interior plan view of the carton in an open position.

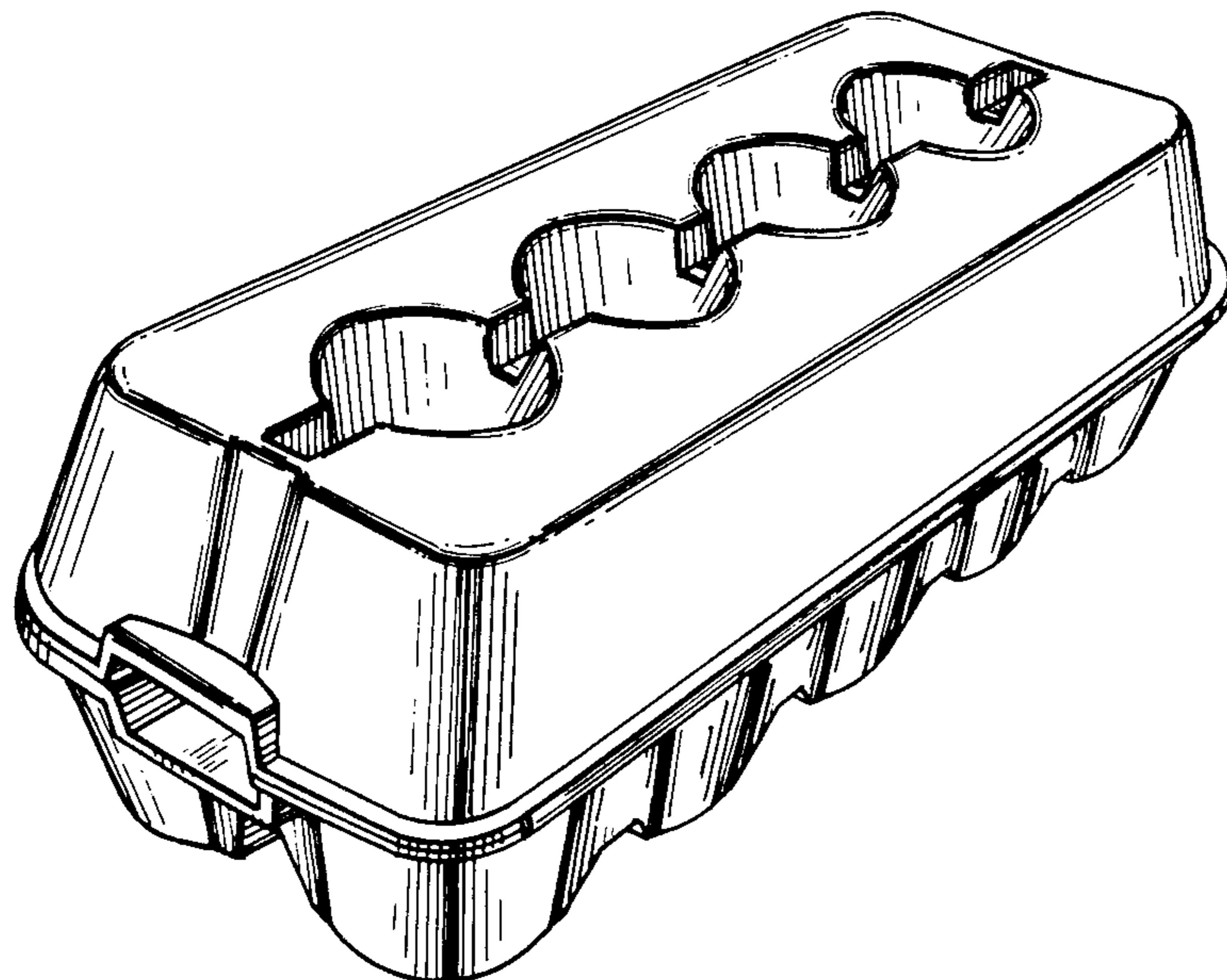


FIG. 1

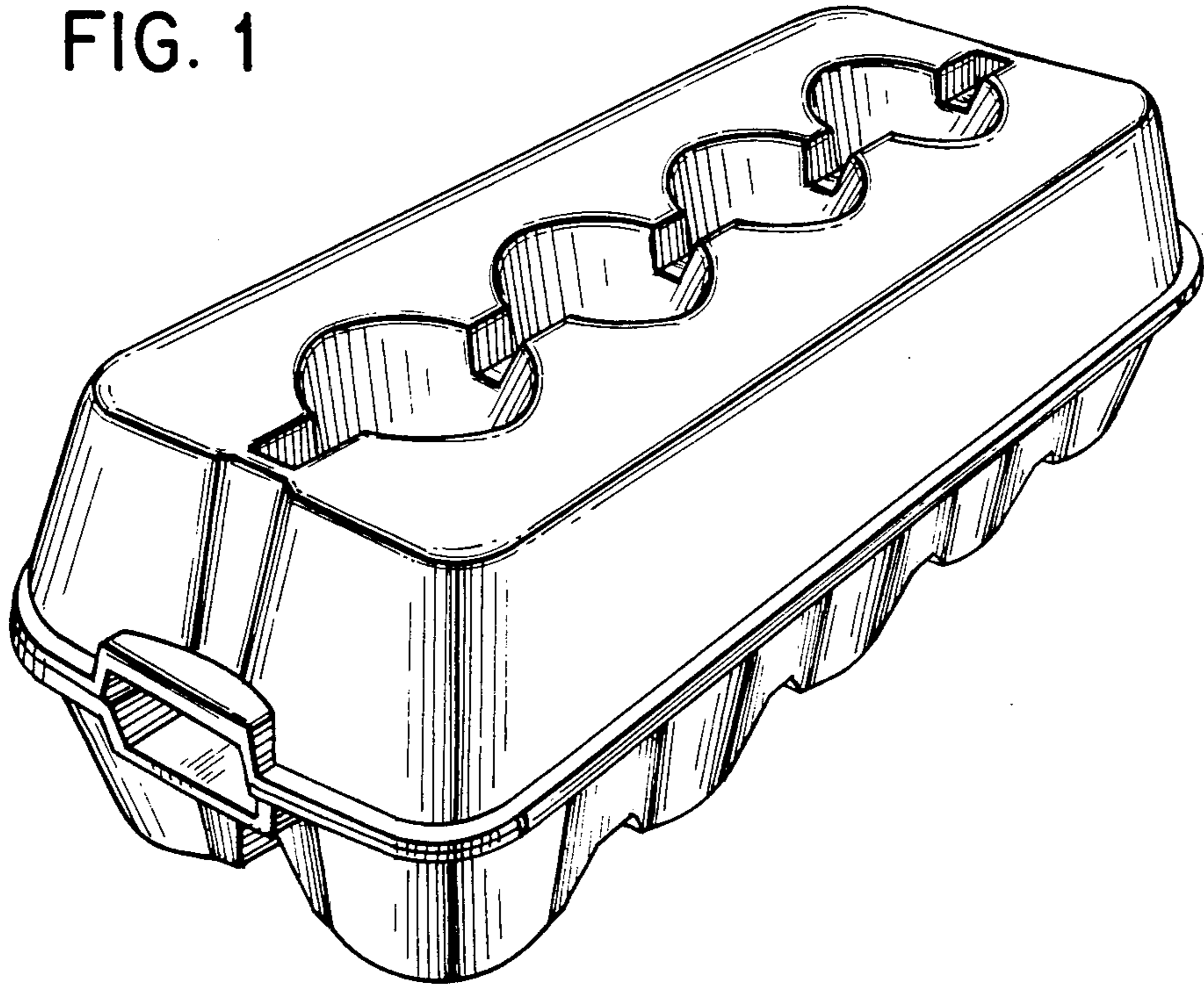


FIG. 2

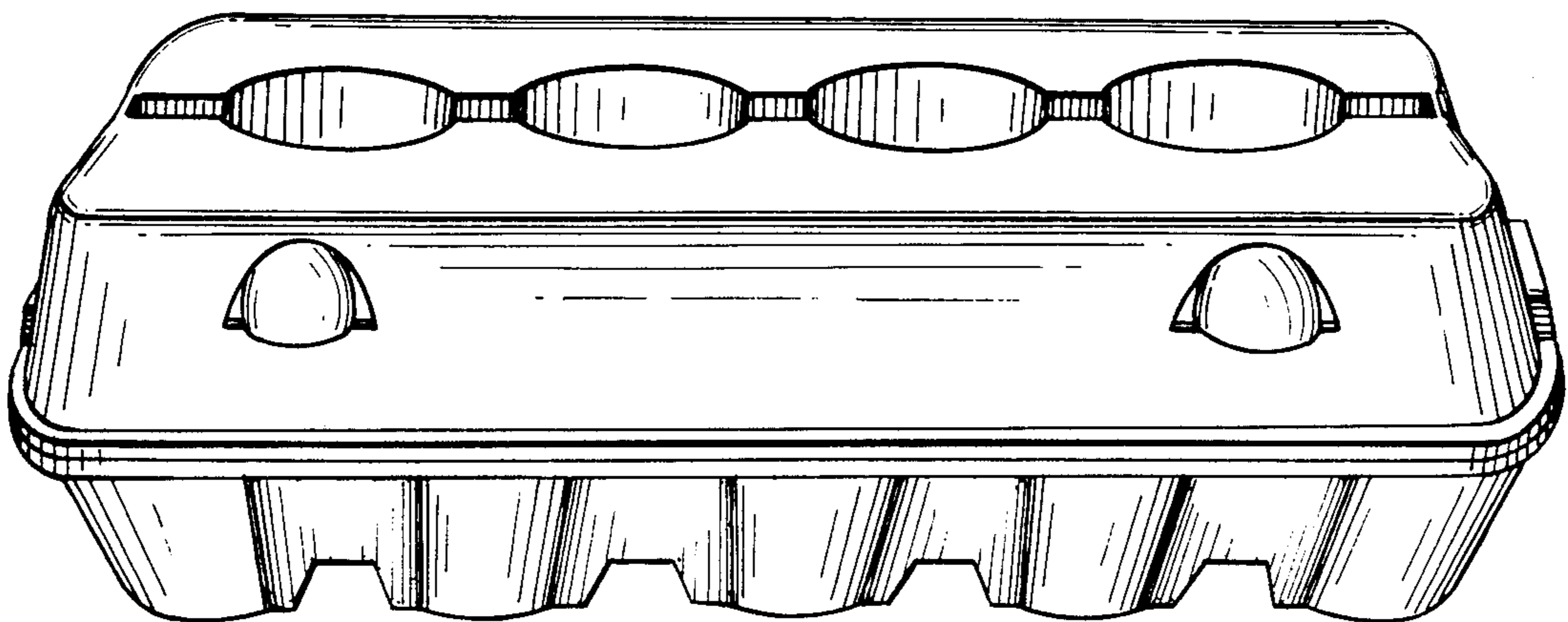


FIG. 3

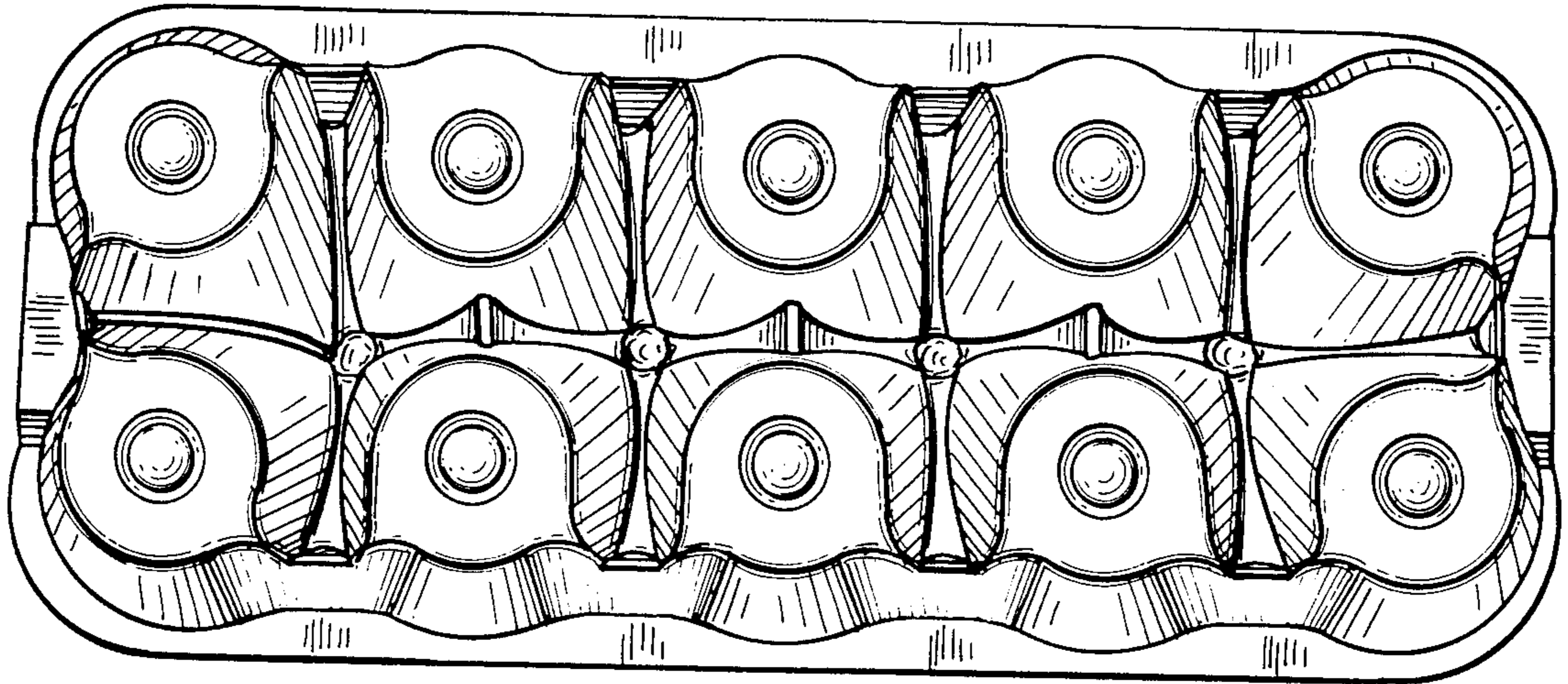


FIG. 4

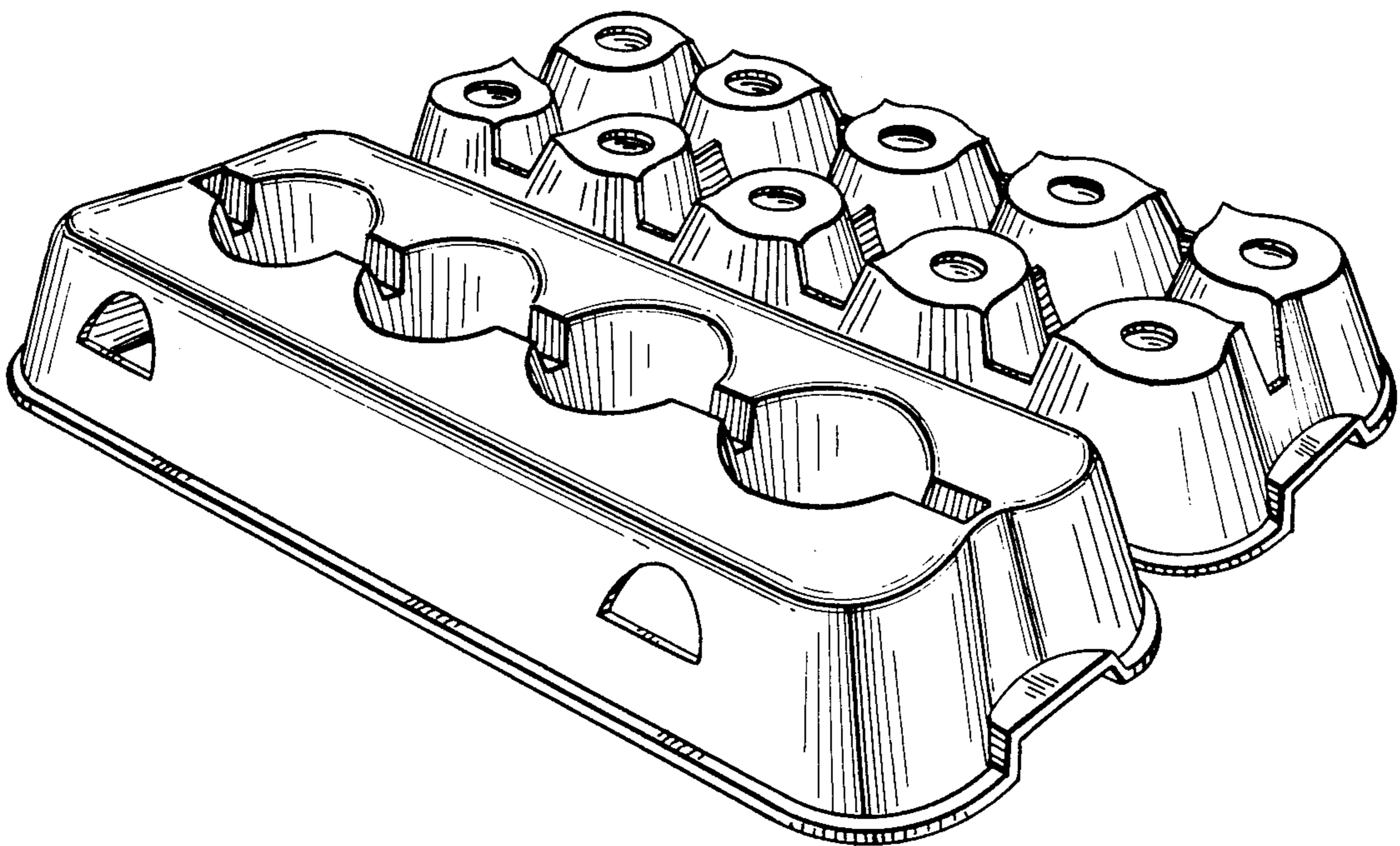


FIG. 5

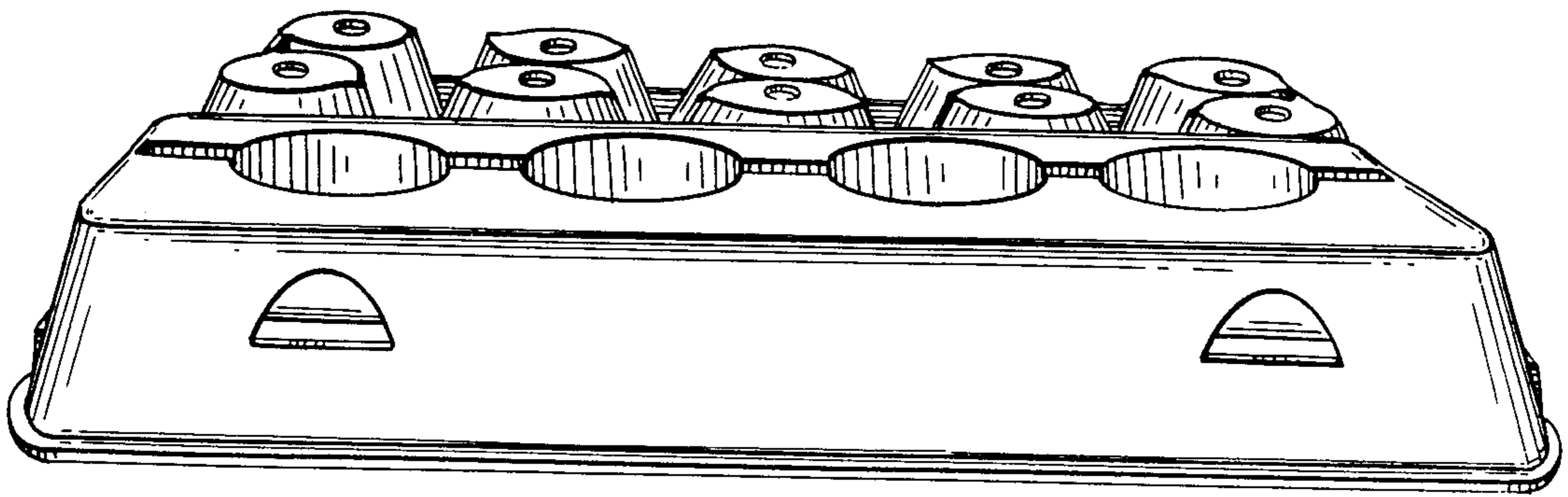


FIG. 6

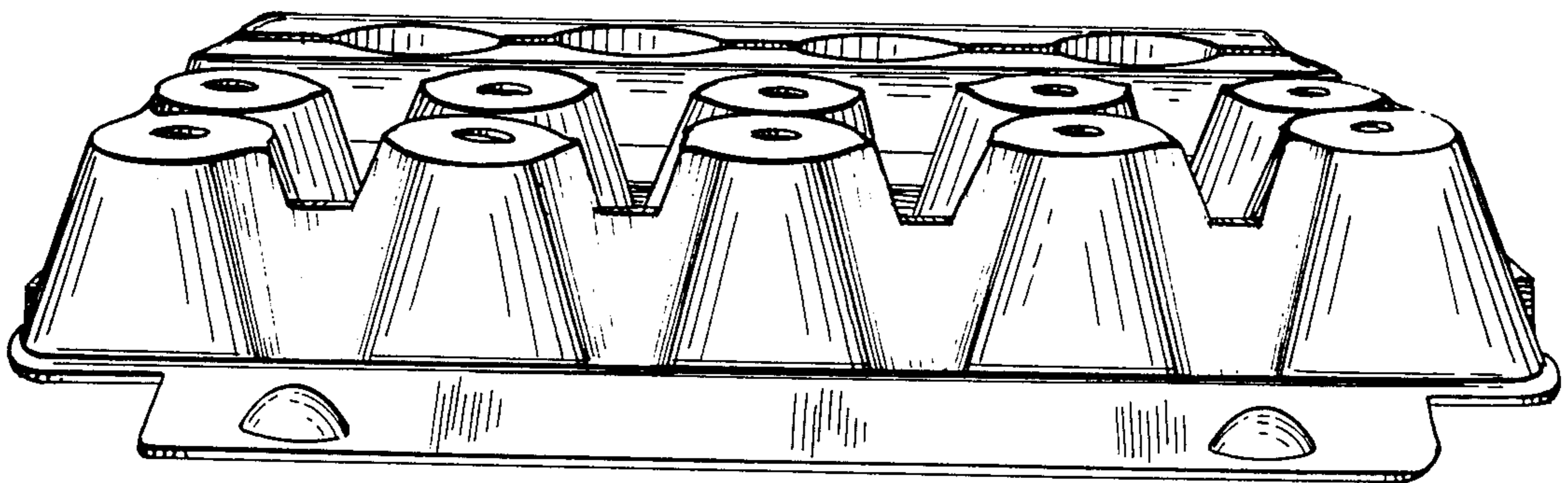


FIG. 7

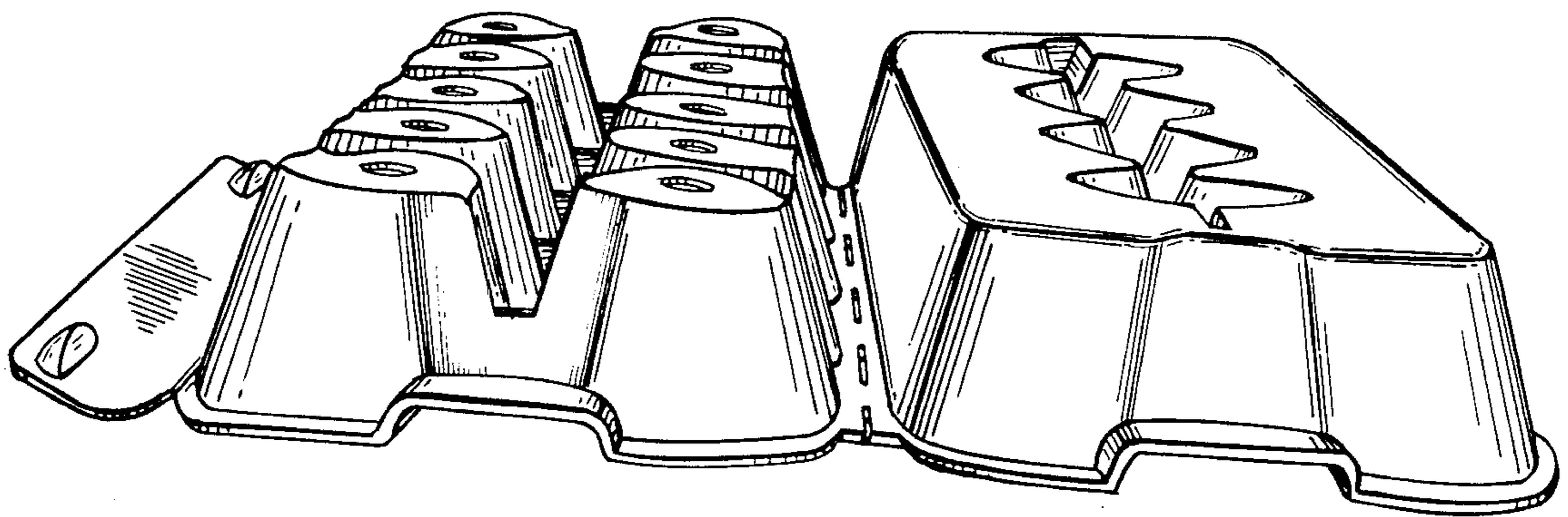


FIG. 8

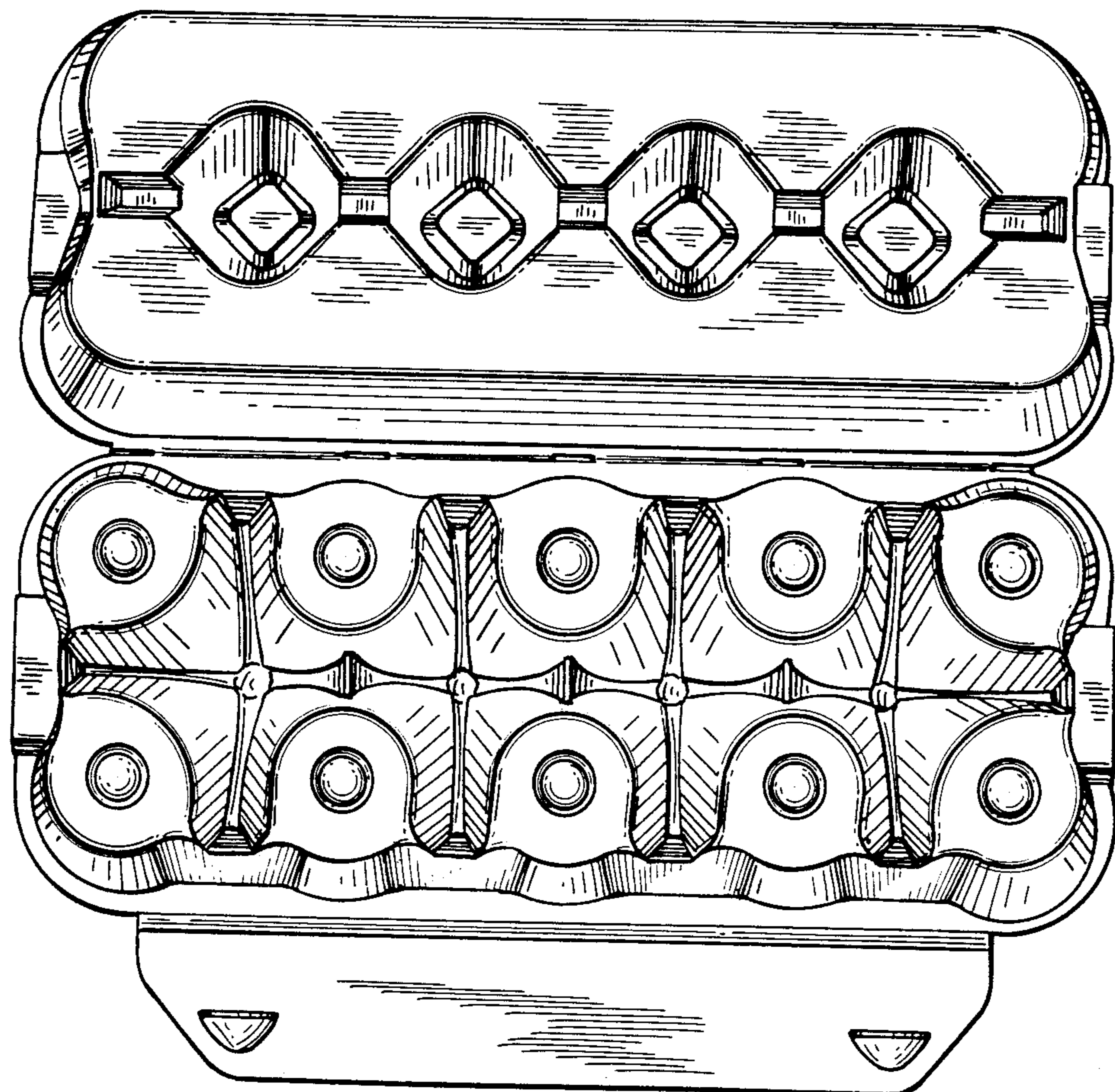


FIG. 9

